

W7FG VINTAGE MANUALS

Telephone: 918-333-3754

Fax: 918-774-9180

Toll Free: 800-807-6146

402731 West 2155 Drive

Bartlesville, OK 74006

E-Mail: w7fg@w7fg.com

Home Page: <http://www.w7fg.com>

KENWOOD

TW-4100A, E

SERVICE

144/430(440)MHz FM DUAL BANDER
TW-4100A/E
SERVICE MANUAL

KENWOOD

© 1987-4 PRINTED IN JAPAN
 B51-3228-00 (O) 851

**SERVICE SHOP
 COPY**



Photo is TW-4100A.
 *Refer to parts list on page 19.

CONTENTS

CIRCUIT DESCRIPTION	2	ALERT, VACANT CH. (X59-1020-10)	60
DESCRIPTION OF COMPONENTS	14	CENTER DETECTOR (X59-1030-10)	60
SEMICONDUCTOR DATA	18	MIC AMP. (X59-3190-00)	60
PARTS LIST	19	SQUELCH CONTROL (X59-3200-00)	60
EXPLODED VIEW	42	CONTROL UNIT (X53-3000-XX)	61
PACKING	44	COMPOSITE UNIT (RX-TX) (X60-3000-XX)	63
LEVEL DIAGRAM	45	COMPOSITE UNIT (PLL-TX) (X60-3010-XX)	65
BLOCK DIAGRAM	47	SCHEMATIC DIAGRAM	67
ADJUSTMENT	48	MU-1 (MODEM UNIT)	70
TERMINAL FUNCTIONS	56	MB-11 (MOUNTING BRACKET)	71
PC BOARD VIEWS		TU-7 (TONE UNIT)	72
KEYBOARD ASS'Y (W03-2003-15)	58	VS-2 (VOICE SYNTHESIZER)	73
PLL SUB VCO (X58-3000-XX)	59	SPECIFICATIONS	BACK COVER

KEYBOARD ASSY (X58-2000-10)	58
PLL SUB VCO (X58-3000-XX)	59
MIC AMP., S-METER (X59-1010-10)	60

VOLUME CONTROL (X58-2000-10)	58
SPECIFICATIONS	BACK COVER

TW-4100A/E

CIRCUIT DESCRIPTION

Unit name	Model	TW-4100A (K,M1,M2)	TW-4100E (T,W)
Control unit		X53-3000-11 (K)	X53-3000-51 (T)
		X53-3000-21 (M1)	X53-3000-61 (W)
		X53-3000-22 (M2)	
Composite unit (RX-TX)		X60-3000-11	X60-3000-51
Composite unit (PLL-TX)		X60-3010-01 (M1) X60-3010-11 (K,M2)	X60-3010-01

Table 1 TW-4100A/E PC board chart

Frequency configuration

The TW-4100A/E utilizes a PLL synthesizer system with a digital VFO, which covers each band in 5, 10, 12.5, 20, 25, and 50kHz steps (See **Figure 1**).

The receiver operates as a double conversion system. Received signals are mixed with a signal from the first local oscillator (113.175 to 115.17MHz for the 144MHz band : **M1,T,W**, 113.175 to 117.17MHz for the 144MHz band : **K,M2**, 399.175 to 409.17MHz for the 430MHz band : **M1,T,W**, and 409.175 to 419.17MHz for the 440MHz band : **K,M2**) to produce the first intermediate frequency (IF) of 30.825MHz. The first IF is mixed with a signal from the second local oscillator (30.370MHz) to produce the second IF of 455kHz.

For transmission, signals are produced by a PLL circuit consisting of a direct-drive oscillator and frequency divider for each band. Gain is added to the output for each band by a linear amplifier for transmission.

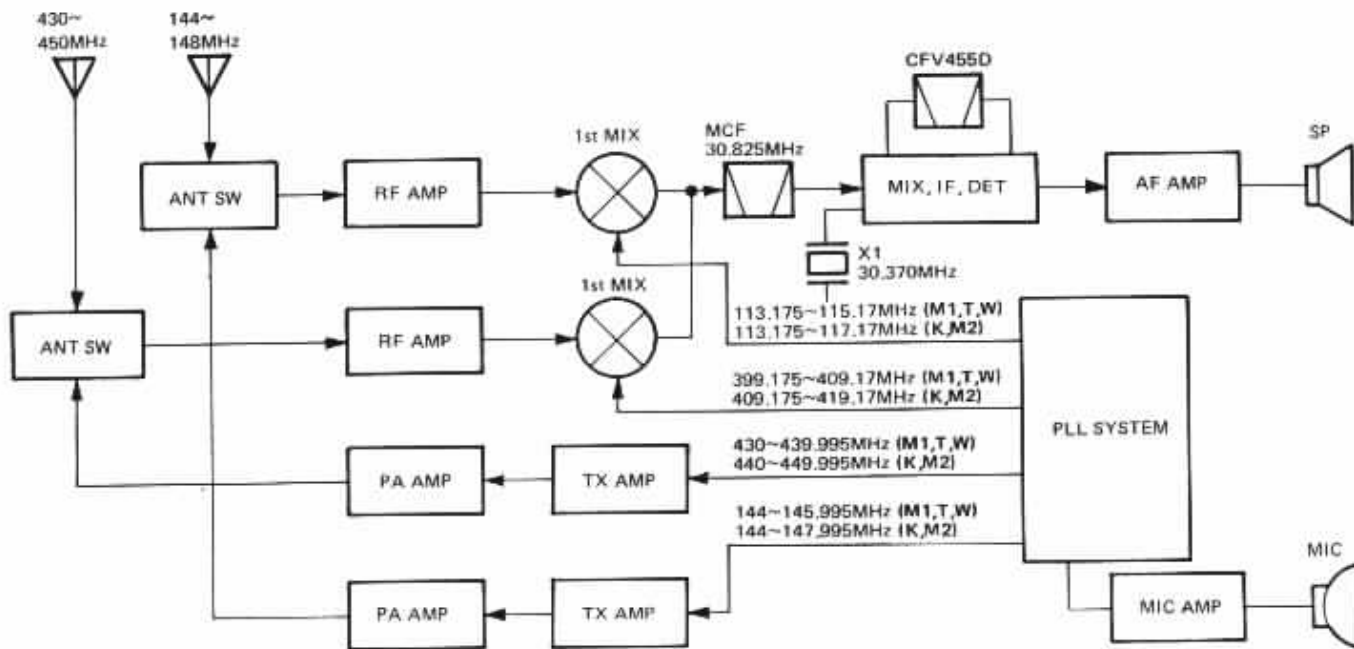


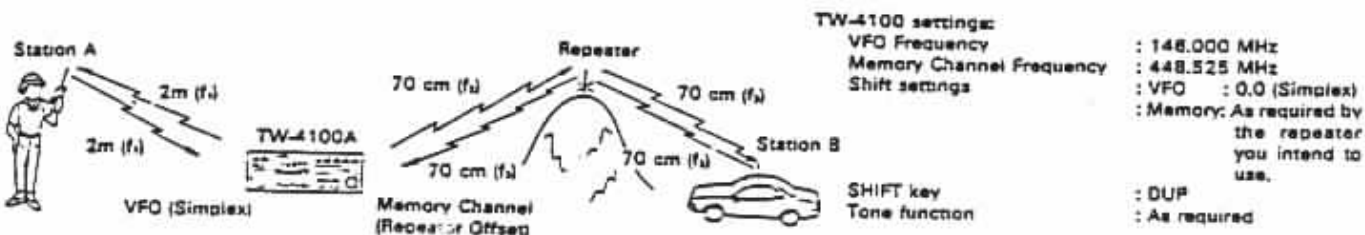
Fig. 1 Block diagram showing frequencies

2

2. In the second mode the input and output are on the same frequency on one band and the other band operates with a separate transmit and receive frequency.

Mode 2

Simplex to Repeater Offset Operation



Operating Procedure

1. Press the VFO/M.CH key to select the Memory Channel mode.
2. Select the desired Memory Channel (Any channel may be used except as noted below).

Notes:

- a. Odd split memory channels 8 and 9 cannot be used for repeater operations.
 - b. You should program the Tone Frequency and the Offset frequency, etc., prior to selecting the Memory Channel number in this step.
3. Press the VFO/M.CH key to return to the VFO mode.
 4. Select the desired operating frequency for the other band. For example if the Memory Channel you selected contains a 2 meter frequency you should select a 70 cm frequency in this step. (See section 4-2-4, and the MHz key section on page 8 of the operators manual.)
 5. Adjust the SQL control to the threshold point for each band.
 6. Select the DUP shift mode using the SEL key and the TUNING control. (Refer to section 4-2-5 in the operators manual.)

6. Select the DUP shift mode using the control. (Refer to section 4-2-5 in the operators manual.)
7. If you have the VFO frequency programmed as the one that will activate the remote repeater site you should select the desired tone frequency and transmitter offset frequency at this time. (Refer to sections 4-2-6 thru 4-2-8 in the operators manual.)
Note:
 When the VFO frequency will be used for simplex input and output make sure you select 0.0 MHz for the transmitter offset frequency.
8. Press the SHIFT key. (The DUP indicator will turn ON>)
9. If you have the VFO programmed to activate the remote repeater and a sub-audible tone is required for access you should press the TONE key.
10. Turn the POWER switch OFF.
11. Press and hold the REV key and turn ON the POWER switch.

12. Release the REV key.
 A beep will sound and the radio will now operate as a Cross Band Repeater. The receiver will alternate between the two bands continuously. If squelch opens on one band, the corresponding incoming audio signal will be automatically retransmitted on the other band.

Note:

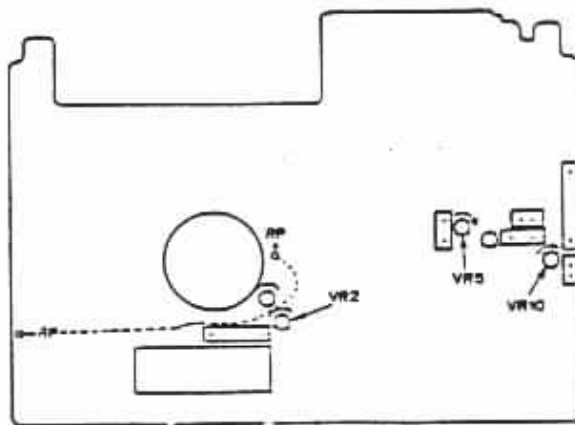
If the transmitter remains keyed for longer than three minutes, the transmitter will unkey, and the receiver will begin alternating between the two bands, searching for an incoming signal. This protects the finals and functions as a built in timeout timer.

13. To cancel repeater operation turn the POWER switch OFF. When the radio is again switched ON the radio will return to normal transceiver operation.

Repeater Modification

1. Remove the 4 screws securing the top cover.
2. Remove the 10 screws that secure the bottom cover.
3. The speaker is attached to the bottom cover so be careful of the wires attached to the speaker when removing the cover.
4. Prepare a jumper wire lead 8 cm long.
5. Strip 5 mm from each end of the wire.
6. Wrap and solder the jumper wire to the RP posts as shown in the accompanying diagram. The cable should be routed as shown.
7. Reinstall the top and bottom covers.

(c)6487CLMKenwood



TW-4100A/E

CIRCUIT DESCRIPTION

Receiver system

• General

Incoming received signals for the 2 meter band are amplified by the 2 meter GaAs FET RF amplifier, Q1 : 3SK184(S), filtered by a 3 pole helical resonator, L24, and are then applied to mixer Q2 : 3SK184(R).

70 centimeter signals are applied to L6 for impedance matching and are then amplified by the 70 centimeter GaAs FET 1st RF amplifier, Q6 : 3SK184(S), filtered by a two pole helical resonator, L25, applied to the 2nd GaAs FET amplifier Q7 : 2SK125, and are then applied to mixer Q8 : 3SK184(R).

The first mixer of each band utilizes the same GaAs FET as the RF amplifier in order to improve the two signal characteristics of the radio. These mixers combine the respective first local oscillator signal, from the PLL unit, with the incoming receive signal, in order to obtain a common IF signal of 30.825MHz. Undesirable adjacent channel signals are removed from the first IF signal by a two-stage monolithic crystal filter (MCF) L27.

The signal is then applied to a cascade amplifier circuit consisting of Q3 and Q4 : 2SC2714(Y) and then to the narrow-band FM IC : TA7661P. The incoming IF signal is mixed with the second local oscillator signal of 30.370 MHz to yield the second IF frequency of 455kHz. This signal is then filtered by a six element ceramic filter (CFV455E), amplified, limited and quadrature detected by Q10. Any remaining high frequency components of the incoming signal are removed by an active low-pass filter. The signal is next applied to the front panel volume control and is then amplified by the AF power amplifier, Q16 : μ PC1242H in order to drive the speaker.

• S-meter circuit

The S-meter output signal of Q10 is inverted and amplified by IC1 of X59-1010-10, and then applied to the Control unit (X53-3000-XX). The microprocessor converts this analog signal into a digital signal that is used to drive the LCD bar graph.

Item	Rating
Nominal center frequency	30.825MHz
Pass bandwidth	± 7.5 kHz or more at 3dB
Attenuation bandwidth	± 32 kHz or less at 40dB
Ripple	1.5dB or less
Insertion loss	3dB or less
Guaranteed attenuation	60dB or more within ± 1 MHz 40dB or more spurious
Terminating impedance	$1.4k\Omega \pm 10\%$ / $1pF \pm 10\%$

Table 2 MCF (L71-0263-05) characteristics
(Composite unit (RX-TX) L27)

Item	Rating
Nominal center frequency	455kHz
6dB bandwidth	± 8 kHz or more (from 455kHz)
60dB bandwidth	± 16 kHz or less (from 455kHz)
Ripple (within ± 4 kHz from 455kHz)	3dB or less
Insertion loss	6dB or less (minimum loss input)
Guaranteed attenuation (within ± 100 kHz from 455kHz)	50dB or more
I/O impedance	$1.5k\Omega$

Table 3 Ceramic filter CFV455E (L72-0359-05) characteristics

control and is then amplified by the AF power amplifier, Q16 : μ PC1242H in order to drive the speaker.

● **Center detector circuit (X59-1030-10)**

A portion of the amplified 455kHz second IF signal is coupled thru the 455kHz tuning coil, L12, amplified and then detected by the ceramic discriminator L29 (CFY455S). The detected output is applied to a low pass filter and then to the center-detector IC1. The signal is then sent to the switching circuit on X59-3200-00 which controls the input to the scan stop instruction circuit on the Control unit.

● **Squelch circuit**

The noise components of the detected audio signal are filtered and then amplified by noise amplifier Q34 : 2SC2712(Y) and applied to a rectifier circuit composed of diodes D3 and D4 : 1S1587. This rectified voltage is used to control the audio muting switch, Q1 : 2SC2712(Y), of the Squelch control board (X59-3200-00). Q1 is used to control the conduction of audio preamplifier Q11 : 2SC2712(Y).

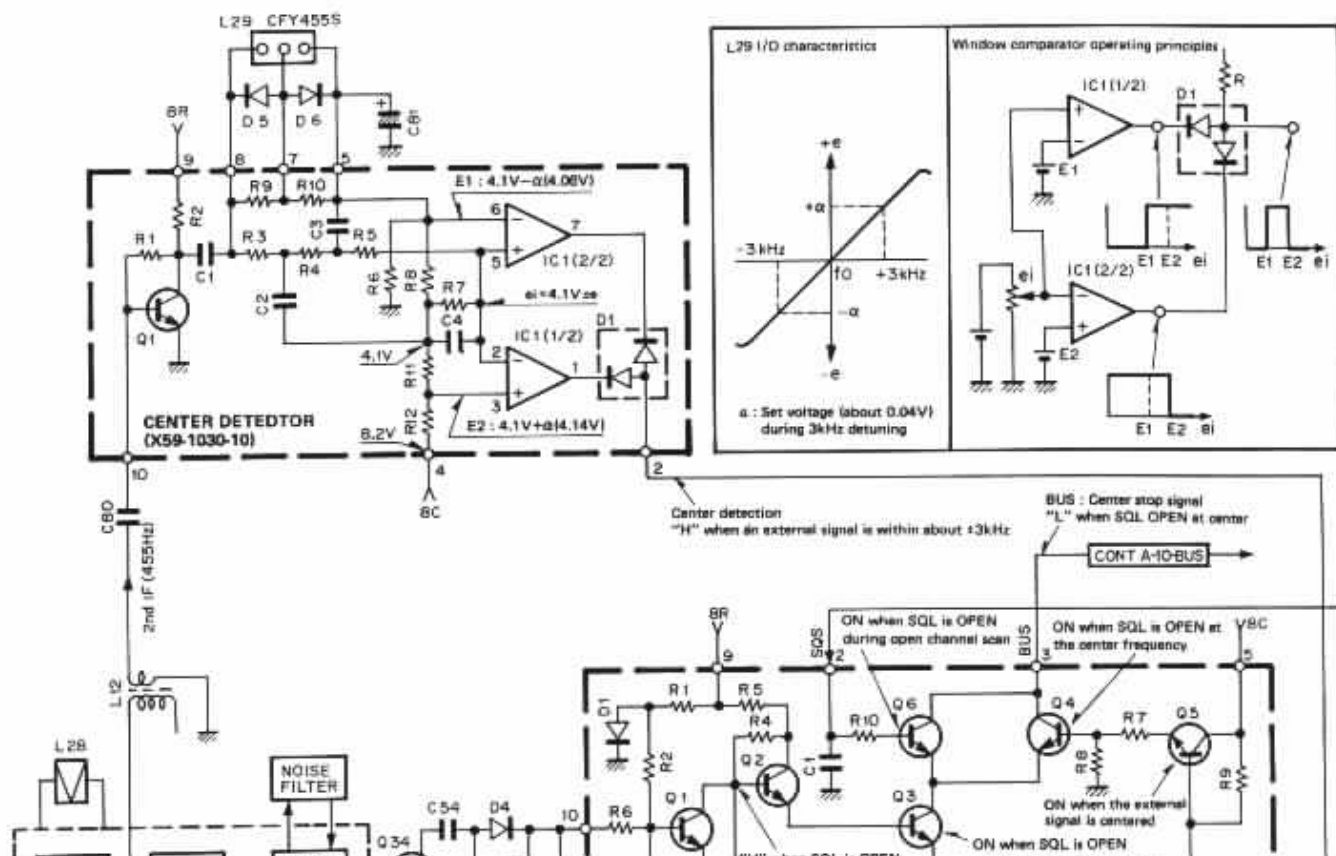
Table 3 Ceramic filter CFV455E (L72-0359-05) characteristics (Composite unit (RX-TX) L28)

Item	Rating
Center frequency (fo) and deviation	Within ± 1 kHz from 455kHz
Peak separation	15kHz or more
Voltage sensitivity	15 ± 3 mV/kHz
Hump	Not within ± 5 kHz from fo
Linearity	Within ± 3 kHz from 455kHz
Temperature characteristics (-30°C ~ +60°C)	Within $\pm 0.3\%$ (center frequency)

Table 4 Ceramic discriminator CFY455S (L79-0446-05) characteristics (Composite unit (RX-TX) L29)

TW-4100A/E

CIRCUIT DESCRIPTION



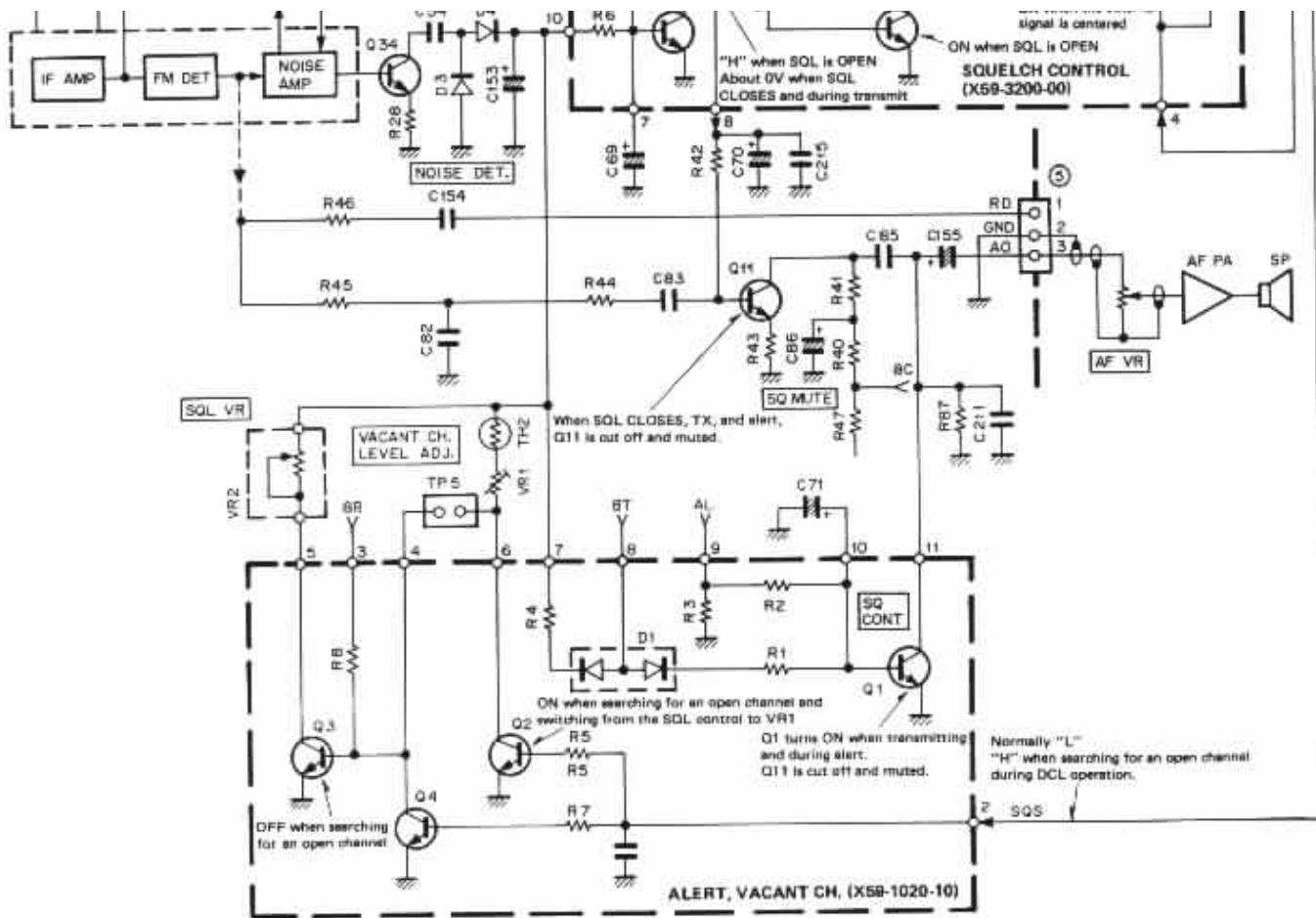


Fig. 2 Center detection, alert, open channel, SQL control circuit

4

TW-4100A/E

CIRCUIT DESCRIPTION

Transmitter system

• **General**

The transmitter unit generates the desired frequencies in both bands directly and provides FM modulation using varactor diodes.

• **Modulation circuit**

Audio signals from the microphone pass microphone gain control VR2 and are amplified by a low-noise pre-amplifier Q13 : 2SC1775(E) and Q14 : 2SC2712(Y). The amplified signal is then applied to op amps on daughter boards X59-1010-10, and X59-3190-00, for pre-emphasis, amplification, limiting and filtering.

This signal is then applied to the varactor diodes in the 2 meter and 70 centimeter VCO circuits. The use of direct modulation provides a signal characterized by a flat frequency response (with a ripple approximately 2dB or less from ultra low thru ultra high audio frequencies). The FM signal therefore has excellent modulation characteristics with good linear response from subaudible thru audible frequency ranges.

• **Pre-amplifier stage circuit**

• **Power amplifier circuit**

Each drive signal is applied to the appropriate power module and amplified to the desired output level. The power module has been designed with efficient duplex operation and thermal diffusion in mind. The TW-4100A/E utilizes a large heat sink, which is free of mechanical trouble, and a thermal guide, which operates to prevent thermal runaway and assure circuit safety.

• **APC and SWR protection circuits**

Figure 3 shows the basic APC and SWR protection circuits. The APC and protection circuits are independent of each other in both bands. The SWR protection circuit detects and amplifies reflected power due to antenna mismatching with a CM coupler. Signals from the SWR protection circuit lower the ALC reference voltage which reduces the gain of the power module. The Automatic Transmit Output Control Circuit (APC) detects and amplifies part of the signal from the power module by a diode, and controls the output control voltage. The control voltage is inversely proportional to the output, so the output is kept constant.

subaudible thru audible frequency ranges.

• Preamplifier stage circuit

The signal from each VCO enters a linear amplifier (characterized by outstanding signal amplification). The APC (Automatic Transmit Control Circuit) controls the collector voltage at the preamplifier last step in both bands. To provide proper power module drive levels, there are three preamplifier stages for the TW-4100A/E.

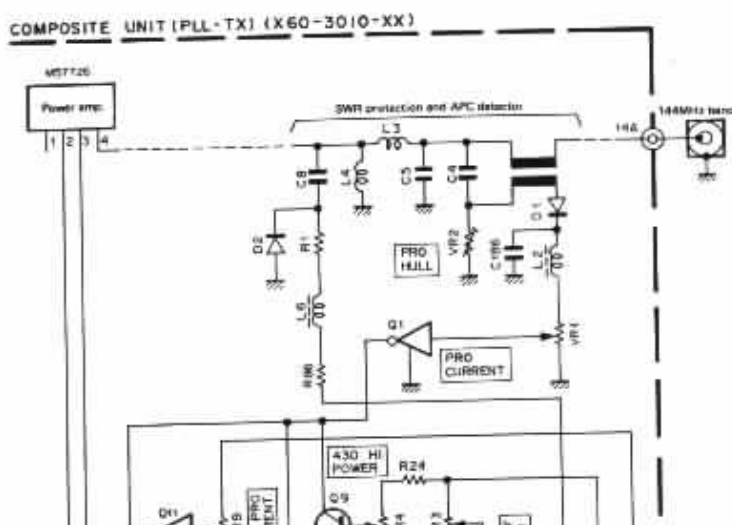
so the output is kept constant.

Item	Symbol	Tc (°C)	Unit	Condition	Rating	
					M57726	M57788M
Operating voltage	Vcc	25	V		17	17
Current consumption	Icc	25	A		14	14
Input power	Pin	25	W	Z _G =Z _L =50Ω	0.6	0.6 (Vcc1 ≤ 13.8V)
Output power	Po	25	W	Z _G =Z _L =50Ω	55	55
Operating case temperature	Tc (op)		°C		-30~+110	-30~+110
Storage temperature	Tstg		°C		-40~+110	-40~+110

Table 5 Power module maximum rating

TW-4100A/E

CIRCUIT DESCRIPTION



PLL synthesizer

Figure 4 is a block diagram of the PLL system. The most important feature of the TW-4100A/E PLL system is that it is composed of VCO and PLL system in which the bands and transmit/receive sections are independent, which allows full duplex operation. The four VCOs are designed as independent subunits so that they limit outside influences in order to improve frequency stability.

The comparison frequencies of 6.25kHz and 5kHz, are obtained by dividing the 12.8MHz reference oscillator signal by 2048 and 2560. The frequency of each VCO is applied to the pulse swallow PLL circuit where the phase and frequencies are compared.

Serial data from the Control unit are used to set the reference and division ratios for PLL IC's Q20 and Q26 : MB87006. Q20 and Q26 have modulus control over pulse

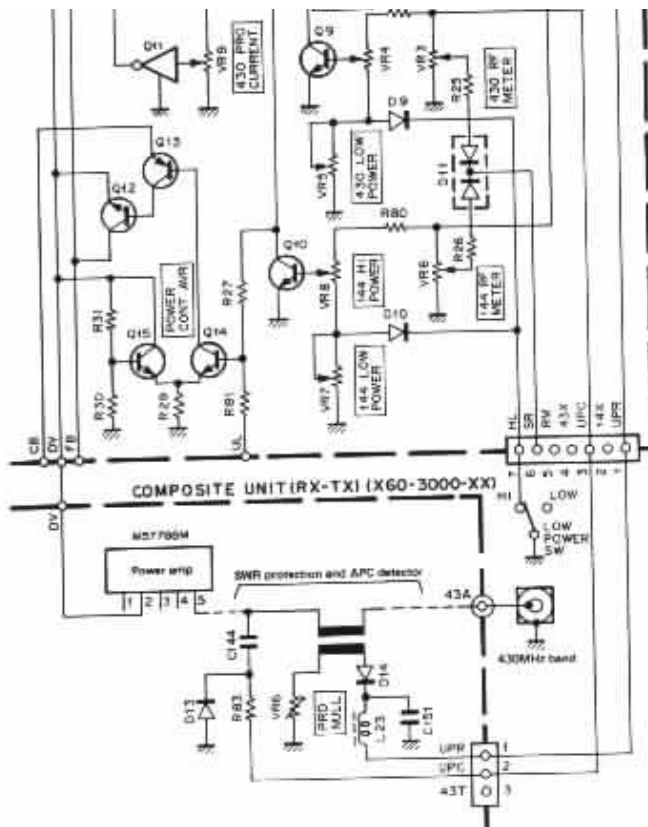


Fig. 3 APC and SWR protection circuits

MB87006. Q20 and Q26 have modulus control over pulse swallow counters Q19 : MB504P and Q25 : MB501P with an external prescaler. **Figure 5** shows the pulse swallow counter circuit.

The 12.8MHz reference signal is applied to Q20 from the reference generation circuit through buffer amplifier Q21 : 2SC2712(Y). The signal is internally divided by 2560 or 2048 according to the selected step width, to produce the 5kHz and 6.25kHz comparison frequencies.

The signal from the VCO passes through an amplifier and enters the pulse swallow counter. The 144MHz band is divided by 64, and the 430MHz band is divided by 128. The phase is compared with the 5kHz and 6.25kHz reference signals by the phase comparator. The phase comparator supplies a dc correction voltage that is applied to a varactor diode, which controls the frequency of the VCO.

f_{vco} (RX) for 144,000MHz

$$f_{vco} = (144.00 - 30.825) = [(n \times M) + A] \times f_{osc} / R$$

f_{vco} : VCO output frequency

n : Binary 10-bit programmable counter set value

ND

M : Externally connected dual modulus prescaler (Q19 or 25) module set value : 64 (144MHz band), 128 (430MHz band)

A : Binary 7-bit swallow counter set value NA

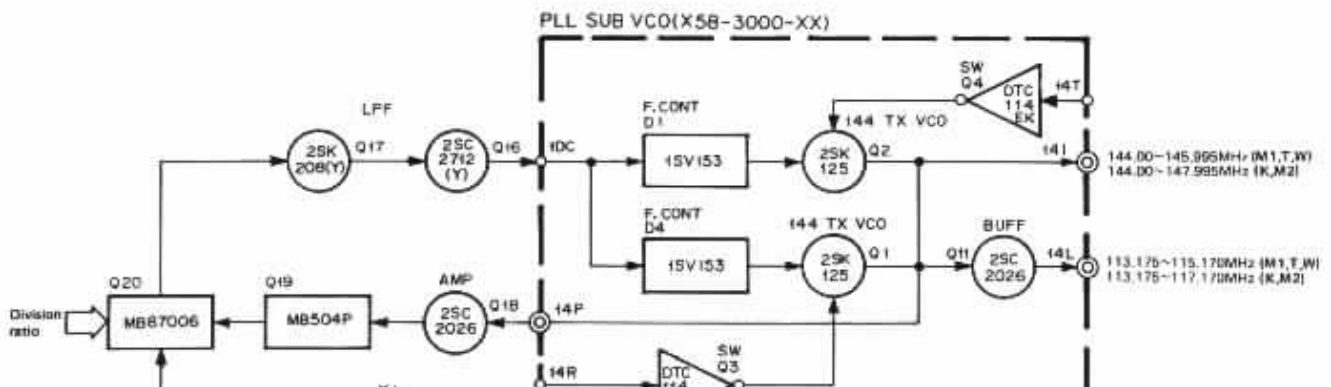
f_{osc} : Reference oscillator frequency 12.8MHz (128000kHz)

R : Binary 14-bit programmable reference counter set value : 2560 (5, 10, 20, 25, and 50kHz steps), 2048 (12.5kHz step)

$$\begin{aligned} \therefore f_{vco} &= [(353 \times 64) + 43] \times 12800 / 2560 \\ &= [22592 + 43] \times 5 \\ &= 113.175\text{MHz} \end{aligned}$$

TW-4100A/E

CIRCUIT DESCRIPTION



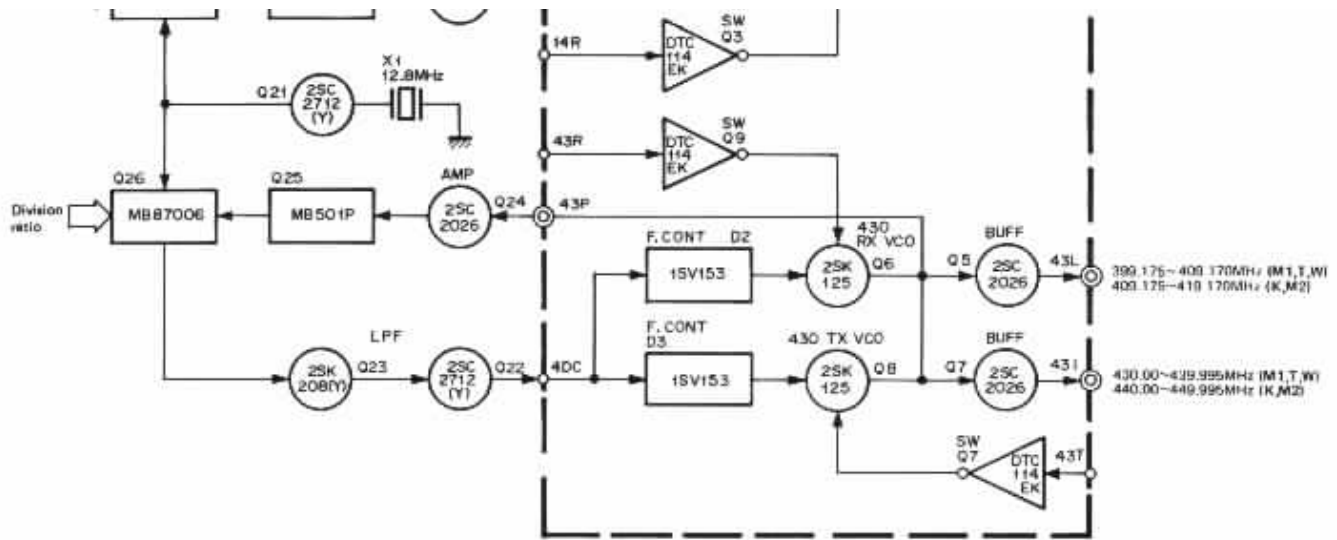


Fig. 4 PLL system block diagram

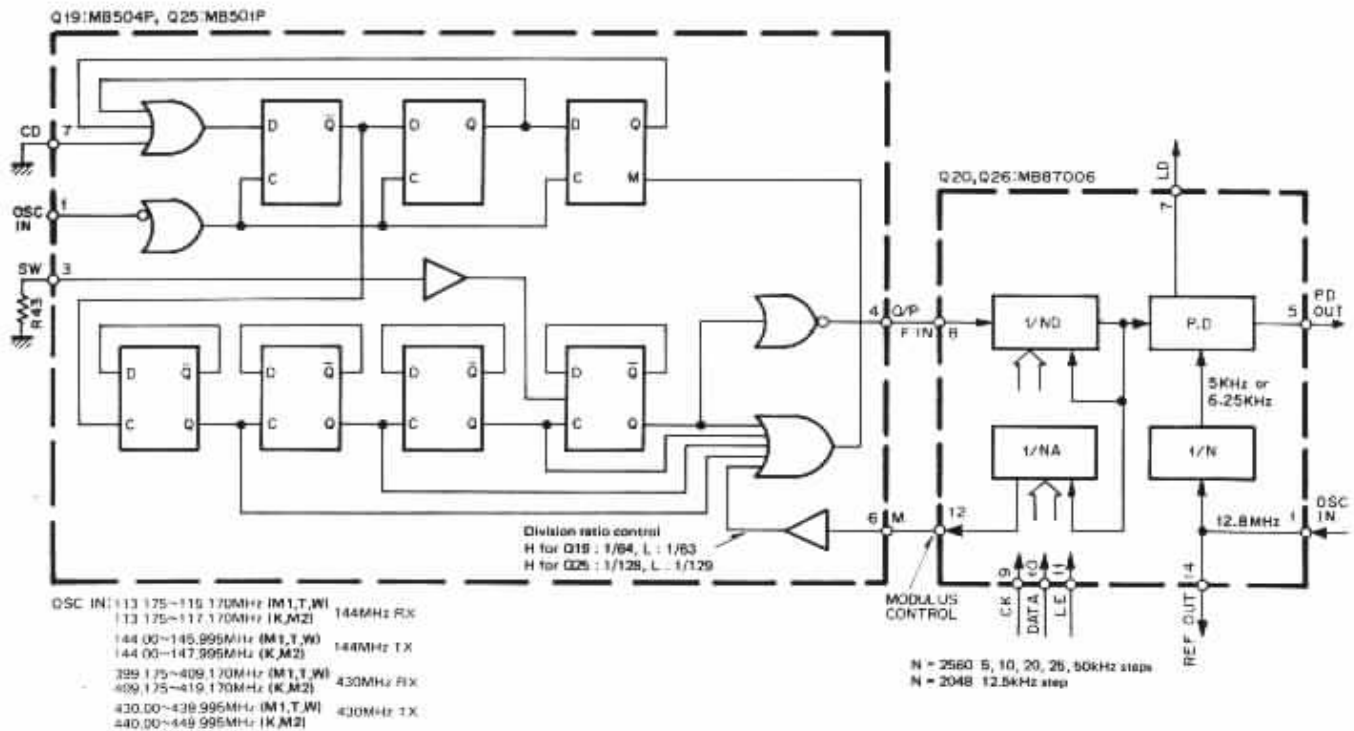


Fig. 5 Pulse swallow counter circuit

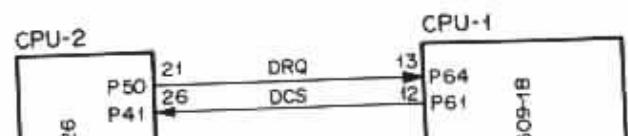
TW-4100A/E

CIRCUIT DESCRIPTION

Digital control unit

• General

The Control unit consists of two PC boards: one on the front panel and the other on the main chassis. The processing is controlled by two microprocessors.



front panel and processing is controlled by two microprocessors.

Figure 6 is a block diagram of the Control unit. The Control unit includes two microprocessors, their interface circuits, an input circuit (consisting of keys, switches, and a rotary encoder), a reset backup circuit, a beeper circuit, and a display circuit.

• **Microprocessor interface circuits**

Figure 7 shows how the two microprocessors are interfaced. To exchange data, three clock and data I/O lines (SCK, SI, and SO) and two pairs of control lines DCS, (DCL microprocessor chip select) and DRQ (DCL microprocessor request) are provided.

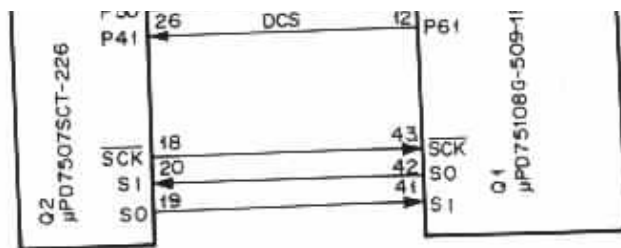


Fig. 7 Interfacing of microprocessors

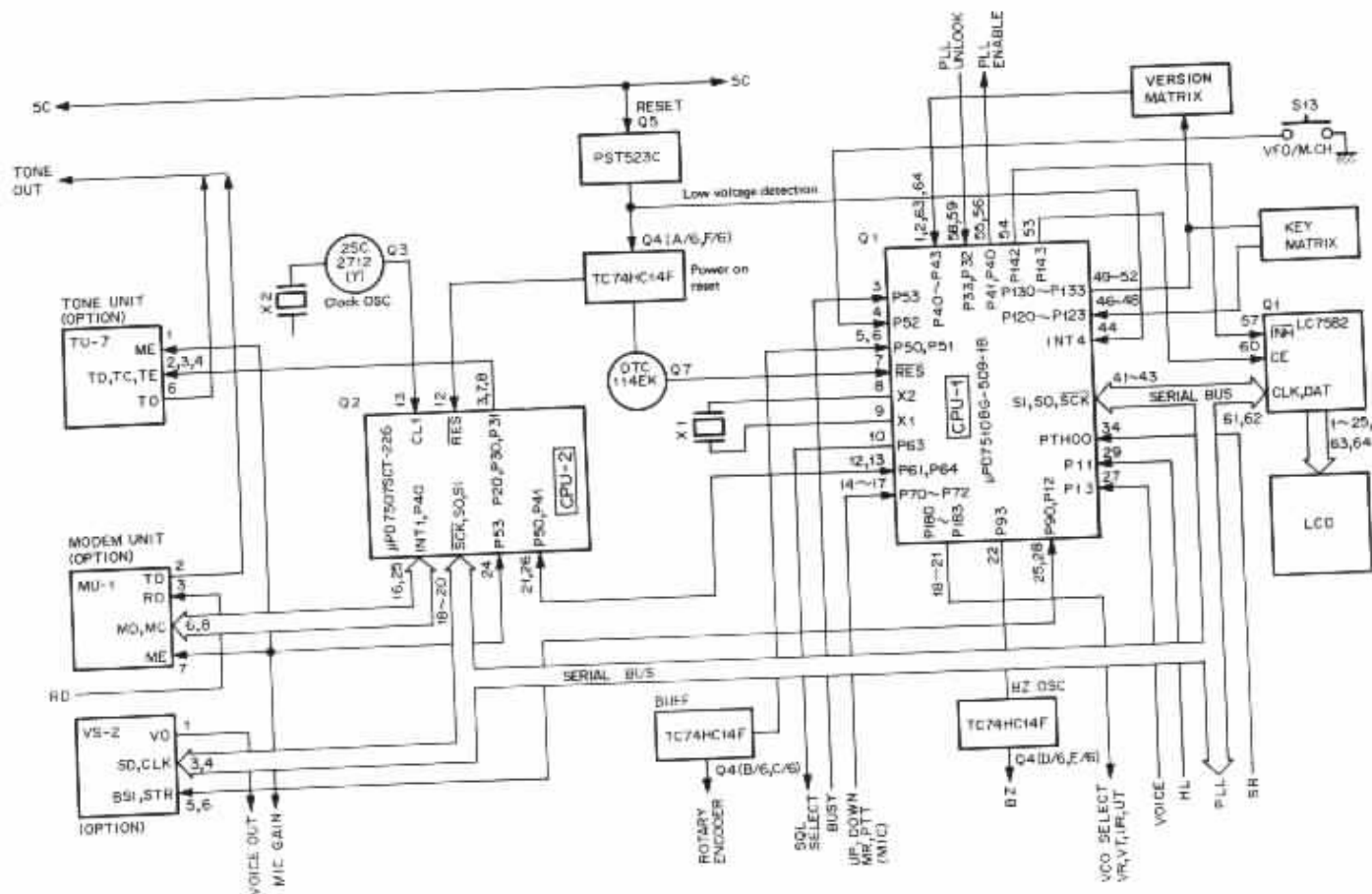


Fig. 6 Control unit block diagram

• **Reset backup circuit**

Figure 8 shows the reset backup circuit. When the

TW-4100A/E

CIRCUIT DESCRIPTION

Reset backup circuit

Figure 8 shows the reset backup circuit. When the transceiver power is turned on, the reset IC Q5 emits a reset pulse. When the power is turned off, the IC recognizes when the voltage of the 5C line falls to 4.0V or less, and sets Q1 INT4 pin low ("L"). When INT4 goes to "L", Q1 enters the backup mode.

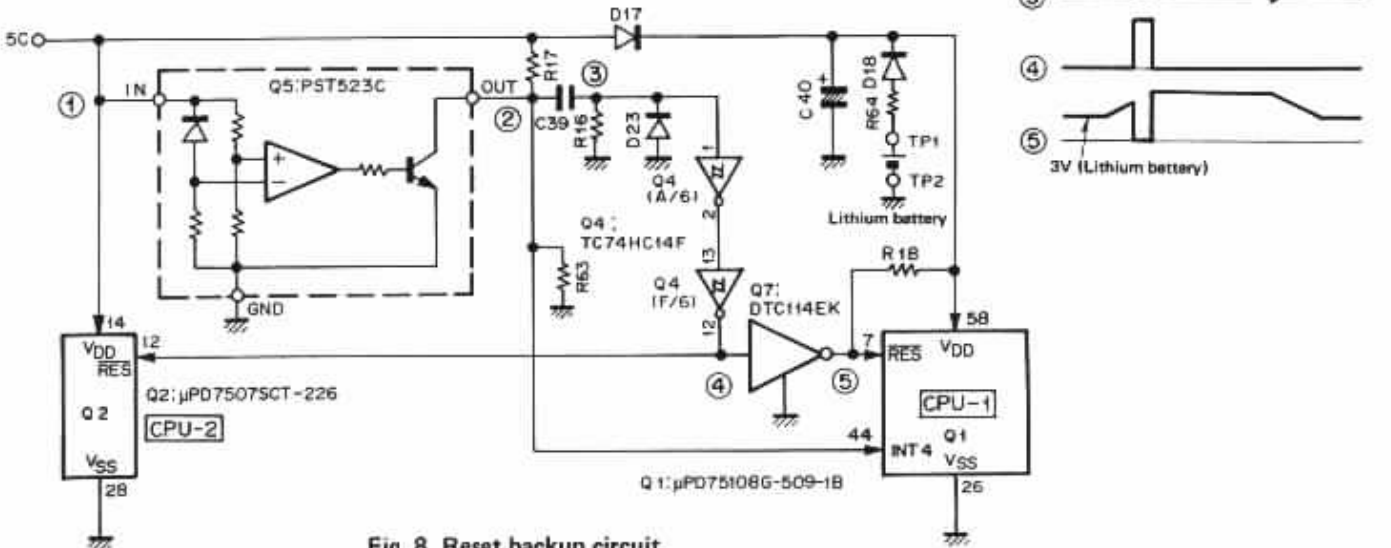


Fig. 8 Reset backup circuit

• Beep circuit

The beep circuit consists of an oscillator using P93, a 1.2kHz oscillation circuit using a Schmitt trigger inverter, Q4 (D/6), and a filter which filters the output pulse waveforms.

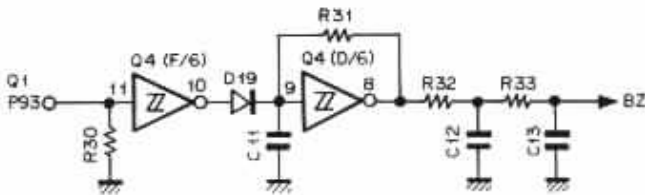


Fig. 9 Beep circuit

• Display circuit

The display circuit, on the display and switch PC board consists of a LCD driver, its peripheral circuits, and an LCD. The LCD is turned on dynamically with a 1 : 2 duty cycle. Data is sent from the microprocessor to the LCD driver serially. Figure 10 shows the LCD driver common outputs, and segment output signals.

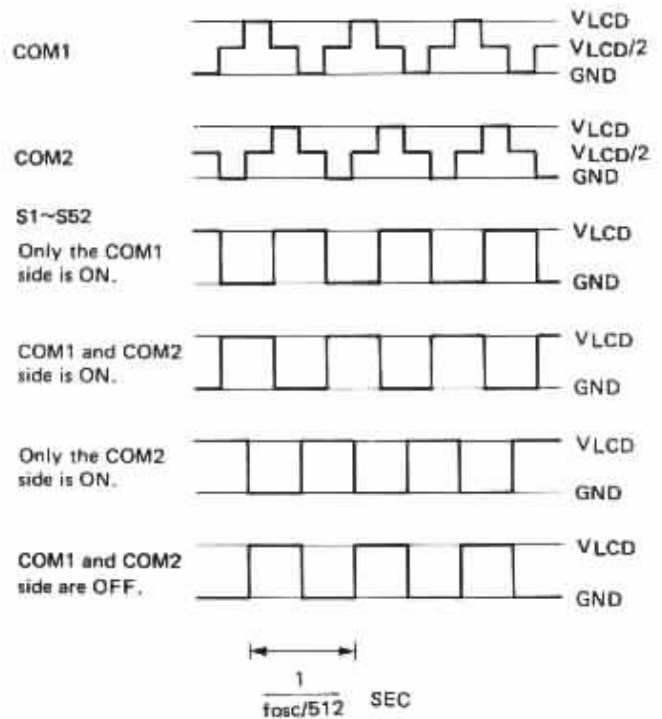


Fig. 10 LCD driver common and segment output signals

CIRCUIT DESCRIPTION

● Key, switch and rotary encoder circuits

Figure 11 shows the key, switch, and rotary encoder input circuits. The front panel keys are arranged in a matrix utilizing control lines P130 to P133 and P120 to P123 and inputs from the VFO/M.CH, VOICE, and HI/LOW switches.

The microphone switch lines (PTT, MR, UP and DOWN) are connected to control lines P70 to P73 through protection diodes. The rotary encoder is connected to control lines P50 and P51 through the inverter of the Schmitt trigger inputs.

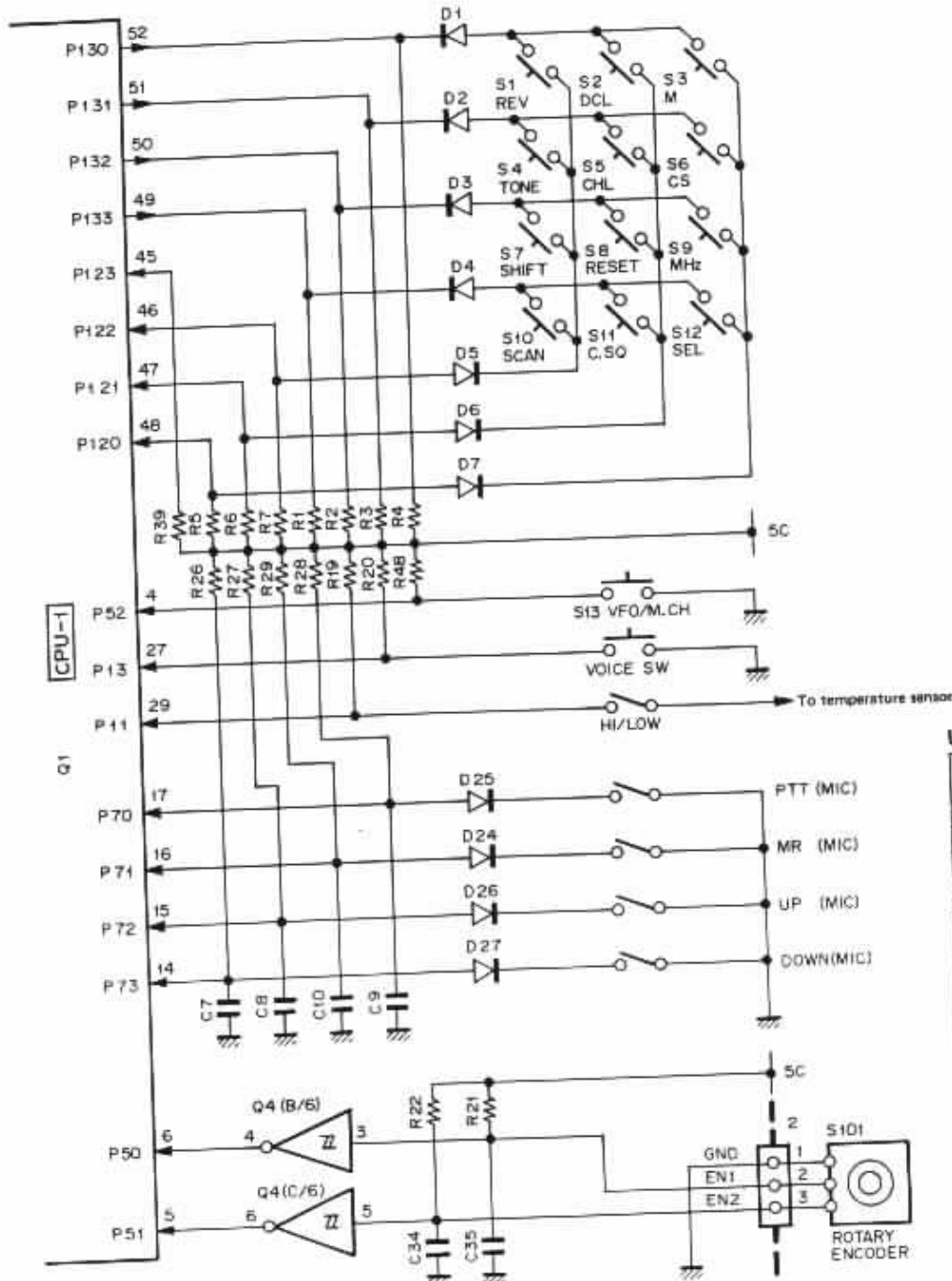


Fig. 11 Key, switch, and rotary encoder input circuits

UP/DOWN microphone

Pin SW	PTT	MR	UP	DOWN
PTT	0	1	1	1
UP	1	1	0	1
DOWN	1	1	1	0

DCL microphone (MC-56)

Pin SW	PTT	MR	UP	DOWN
PTT	0	1	1	1
UP	1	0	0	1
DOWN	1	0	1	0
MR	1	1	0	1
CHL	1	1	1	0
RES	1	0	1	1

Table 6 Microphone input logic

CIRCUIT DESCRIPTION

• Other I/O circuits

1) PLL data output and unlock input

PLL data is output through serial buses SCK (clock), SO (data output), P140 (144MHz band enable), and P141 (430MHz band enable). **Figure 12** shows the data transfer format.

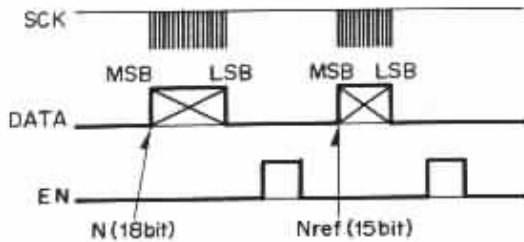


Fig. 12 Data transfer format

N (18 bits) and Nref (15 bits) are produced by converting frequencies as follows:

$$F \text{ (indicated value - 30.825MHz for RX)} = [(n \times M) + A] \times f_{osc}/n_{ref}$$

n : Binary 10-bit division ratio

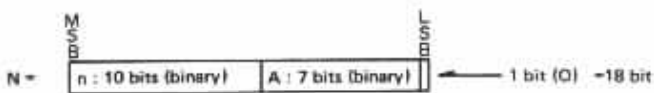
M : Prescaler division ratio : 64 for 144MHz, 128 for 430MHz

A : Binary 7-bit swallow counter setting

f_{osc} : Reference frequency (12.8MHz)

n_{ref} : Binary 14-bit reference counter
2560 (decimal) for 5, 10, 20, 25, and 50kHz steps
2048 (decimal) for 12.5kHz

N is data consisting of the 17-bit sum of n and A calculated by the above expression plus control bit 0.



Nref is obtained by converting n_{ref} calculated by the above expression into a binary format, and adding A1 control bit to it.



When the PLL is unlocked in each band, P32 (144MHz band unlock) and P33 (430 to 440MHz band unlock) are set to a "H" level to cause the frequency display to blink off and on.

2) Audio muting output (AM)

When performing code squelch operation or searching for an open channel, port P22 is set to "H", to mute audio output.

3) S and RF meter input (SR)

The analog voltages for the S and RF meters are applied to the programmable threshold port (PTH00), and are converted in 16 stages into 4-bit digital signals internally and sent to the display.

4) Microphone mute output (MM)

The signal which mutes audio inputs from the microphone when a DCL signal is sent from P53 of Q2 : μ PD7507SCT. This is also used with modem enable, and subtones are also muted when audio inputs from the microphone are muted.

5) Tone output (TO)

The internal subtone signal, external tone signal, and modem unit audio signal levels are combined then sent to the VCO modulation input.

6) RD

Demodulated audio signals are applied to the modem unit audio input.

7) Squelch select output (SQS)

The squelch select output circuit is used to switch from the squelch control on the panel to the internal semi-fixed squelch control, by SQS, when the DCL system searches for an open channel. Normally, at "H", when the squelch control on the panel is active.

8) Busy input (BUS)

When an incoming signal is present, the receive unit center detector circuit switches to a "H" level. Even when squelch is applied or open, the input is "H" and the BUSY indication will be turned off.

9) VOICE strobe (SR)

After one word of data is transferred through the serial bus during VS-2 operations a "H" pulse is output.

10) VOICE BUSY (V BUSY)

During the time the VS-2 is operating and a voice is generated, the input goes "H" to prepare for the next voice data.

TW-4100A/E

CIRCUIT DESCRIPTION

• Other circuits

1) 349kHz oscillator

This circuit supplies system clock pulses for Q2: μ PD7507SCT using a ceramic oscillator.

• Voltage switching circuit

1) UR, VR, UT, and VT (VCO select output)

The UR, VR, UT, and VT outputs are transferred from ports P80 to P83, using negative logic. For example, the UR port (P81) is "L" when the 430MHz-band is displayed (actually, signals are \overline{UR} , \overline{VR} , \overline{UT} and \overline{VT}). When UR goes "L", Q27 goes "H", Q33 (A/6) goes "H", and Q31 goes "L" (43X becomes "L").

This is done to forcibly stop PLL IC Q26 during 144 MHz operations and to stop Q20 during 440MHz operations. Pin 1 of Q20 and Q26 are set "H" to prevent malfunction of one while the other is operating.

Note:

14X is "L" (+8V) for 144MHz and "H" for 430MHz.
43X is "H" (+8V) for 144MHz and "L" for 430MHz.

2) 8R, 8T, 14R, 14T, 43R, 43T

The \overline{UR} , \overline{VR} , \overline{UT} , and \overline{VT} outputs from the microprocessor are inverted by Q27 to Q30, inverted again by Q23 (voltage switching) normally "H". The inputs to Q1 thru Q2 go "L" when \overline{UR} , \overline{VR} , \overline{UT} , and \overline{VT} information is applied from the microprocessor ports. The outputs of Q17 to Q22 are used supply +8V for various transmit receive circuits (8T thru 43R).

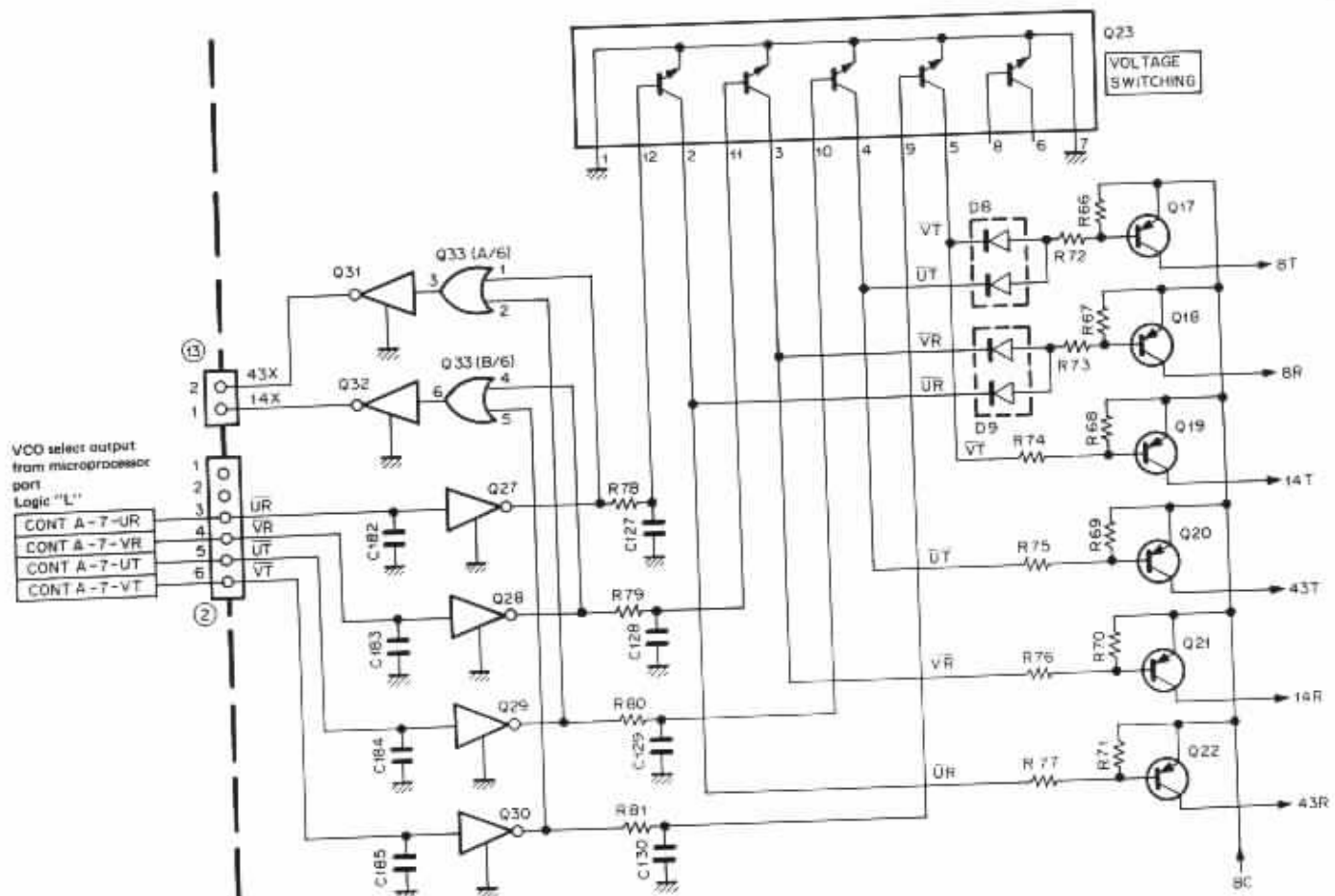


Fig. 13 Voltage switching circuit

TW-4100A/E**CIRCUIT DESCRIPTION**

Pin No.	Name	I/O	Logic	Function	Pin No.	Name	I/O	Logic	Function
1	P41	I	L	Input.	33	PTH01	I	—	Not used.
2	P40	I	L	Input.	34	PTH00	I	—	S & RF meter analog voltage input.
3	P53	I	L	BUSY input ("L" : BUSY, "H" : OPEN).	35	T11	—	—	Not used.
4	P52	I	L	VFO/M.CH key input.	36	T10	—	—	Not used.
5	P51	I	—	Encoder input.	37	P23	O	—	Not used.
6	P50	I	—	Encoder input.	38	P22	O	H	Audio mute output.
7	RES	I	L	Reset input.	39	P21	O	—	Repeater tone control
8	X2	—	—	Crystal input pin (f = 4.194304MHz).	40	P20	O	—	Not used.
9	X1	—	—	Crystal input pin (f = 4.194304MHz).	41	P03/SI	I	—	Serial data input pin.
10	P63	O	H	Squelch select ("H" : Internal, "L" : External).	42	P02/SQ	O	—	Serial data output pin.
					43	P01/SCK	I/O	L	Serial clock I/O pin.
11	P62	I	H	Setting.	44	P00/INT4	I	—	Backup detection pin.
12	P61	O	H	DCL microprocessor chip select output.	45	P123	I	L	Key return input port
13	P60	I	H	DCL microprocessor request input.	46	P122	I	L	
14	P73	I	L	Microphone DOWN switch input.	47	P121	I	L	Key scan output port.
15	P72	I	L	Microphone UP switch input.	48	P120	I	L	
16	P71	I	L	Microphone MR switch input.	49	P133	O	L	See Circuit description.
17	P70	I	L	Microphone PTT switch input.	50	P132	O	L	
18	P83	O	L	VCO select VHF RX.	51	P131	O	L	See Circuit description.
19	P82	O	L	VCO select VHF TX.	52	P130	O	L	
20	P81	O	L	VCO select UHF RX.	53	P143	O	H	LCD driver chip enable
21	P80	O	L	VCO select UHF TX.	54	P142	O	L	LCD driver inhibit ("L" : All off).
22	P93	O	H	BZ oscillator enable output.	55	P141	O	H	430MHz band PLL enable.
23	P92	O	—	Not used.	56	P140	O	H	144MHz band PLL enable.
24	P91	O	—	Not used.	57	NC	—	—	Not used.
25	P90	O	H	VS-2 strobe output.	58	VDD	—	—	Power pin.
26	Vss	—	—	GND pin (0V).	59	P33	I	H	430MHz band unlock input.
27	P13	I	L	VOICE switch input.	60	P32	I	H	144MHz band unlock input.
28	P12	I	H	VS-2 BUSY input.	61	P31	I	—	Not used.
29	P11	I	—	Low power switch input ("H" : Low power, "L" : High power).	62	P30	I	—	Not used.
					63	P43	I	L	Input.
30	P10	I	H	Setting.	64	P42	I	L	Input.
31	PTH03	I	—	Not used.					
32	PTH02	I	—	Not used.					

Table 7 μ PD75108G-509-1B pin functions (Control unit Q1)

Pin No.	Name	I/O	Logic	Function	Pin No.	Name	I/O	Logic	Function
1	P43	I	H	Not used.	15	CL2	O	—	Not used.
2	X1	I	—	88.5Hz reference 349kHz input.	16	INT1	I	H	Modem clock input (from MU-1).
3	X2	—	—	Not used.	17	INT0	I	—	Not used.
4	P20	O	L	External tone enable (to TU-7).	18	SCK	O	L	Serial clock output.

3	X2	-	-	Not used.	17	INT0	I	-	Not used.
4	P20	O	L	External tone enable (to TU-7).	18	SCK	O	L	Serial clock output.
5	P21	O	-	Not used.	19	SO	O	H	Serial data output.
6	P22	O	-	Not used.	20	SI	I	H	Serial data input.
7	P23	O	-	Not used.	21	P50	O	H	DCL microprocessor request output.
8	P30	O	L	External tone clock (to TU-7).	22	P51	O	-	Not used.
9	P31	O	-	External tone data (to TU-7).	23	P52	O	-	Not used.
10	P32	O	-	Not used.	24	P53	O	H	Modem enable output (to MU-1).
11	P33	O	-	Not used.	25	P40	I/O	-	Modem data I/O (to MU-1).
12	RESET	I	H	Reset input.	26	P41	I	H	DCL microprocessor chip select input.
13	CL1	I	-	349kHz system clock input.	27	P42	-	-	Not used: pull-up or "H".
14	VDD	-	-	Power pin.	28	Vss	-	-	GND pin.

Table 8 μ PD7507SCT-226 pin functions (Control unit Q2)

TW-4100A/E

DESCRIPTION OF COMPONENTS

CONTROL UNIT (X53-3000-XX)

Component	Function	Operation/Condition
Q1	Microprocessor 1	Control the entire setting, mainly frequency control.
Q2	Microprocessor 2	Control options MU-1 and TU-7 when they are in use.
Q3	349kHz oscillator	Q2 : μ PD7507SCT-226 system clock.
Q4	Schmitt trigger inverter	Reset circuit pulse shaping, beep output, rotary encoder, inversion buffer.
Q5	Reset IC	Reset output and low-voltage detection.
Q7	Logic inversion	Set RES logic to RES.
D2~D16	Setting	Only setting diodes D2, 6, 8~13, 15, 16 are used. (K type) Only setting diodes D2, 5, 6, 8~13, 15, 16 are used. (M1 type) Only setting diodes D2, 6~9, 11~13, 15, 16 are used. (M2 type) Only setting diodes D4~16 are used. (W type) Only setting diodes D3~16 are used. (T type)
D17,D18	Current reversal prevention	
D19	BEEP switching	
D20	Current reversal prevention	1750Hz switch, OR logic.
D21		Trailing negative pulse absorption.
D23	Reset waveform shaping	

PLL SUB-VCO (X58-3000-XX)

Component	Function	Operation/Condition
Q1	144MHz band RX VCO	113.175 to 115.17MHz.
Q2	144MHz band TX VCO	144 to 146MHz, output level -8dBm.
Q3	144MHz band RX VCO operation switch	Active "H".
Q4	144MHz band TX VCO operation switch	Active "H"
Q5	430MHz band RX LOCAL amplifier	Output level 0dBm/AVE.
Q6	430MHz band RX VCO	399.175 to 409.17MHz.
Q7	430MHz band TX LOCAL amplifier	Output level -4dBm/AVE.
Q8	430MHz band TX VCO	430 to 440MHz.
Q9	430MHz band RX VCO operation switch	Active "H".
Q10	430MHz band TX VCO operation switch	Active "H"
Q11	430MHz band RX LOCAL amplifier	Output level 4.5dBm/AVE.
D1	144MHz band F.CONT & MOD diode	145MHz : 5V.
D2	430MHz band RX F.CONT diode	435MHz : 3.5V
D3	430MHz band F.CONT & MOD diode	435MHz : 3.5V
D4	144MHz band RX F.CONT diode	145MHz : 5V.

KEYBOARD ASS'Y (W03-2003-15)

Component	Function	Operation/Condition
Q1	LCD driver	Drive LCD with 1/2 duty.
D1~D7	Key matrix.	

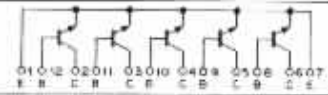
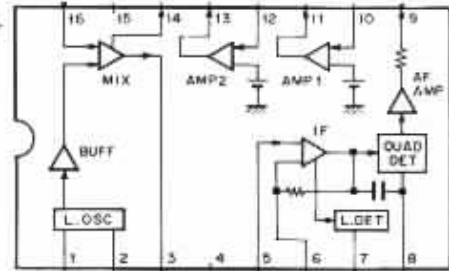
14

TW-4100A/E

DESCRIPTION OF COMPONENTS

COMPOSITE UNIT (TX-RX) (X60-3000-XX)

Component	Function	Operation/Condition
Q1	High frequency amplification	144MHz band.
Q2	First mixer	144MHz-band local frequency (113.175 to 115.17MHz), input level 4.5dBm/AVE.
Q3,Q4	First IF amplification	Cascade amplification.
Q5	Q2 operation switching switch	Active "H".
Q6,Q7	High-frequency amplification	430MHz band.
Q8	First mixer	430MHz-band local frequency (399.175 to 409.17MHz), input level 0dBm/AVE.
Q9	Q8 operation switching switch	Active "H".
Q10	Second local oscillator 455kHz IF amplification S-meter amplifier Detection, AF amplifier Squelch noise amplifier Second mixer	① Base, ② Emitter ⑤ Input, 5-stage limiter amplifier ⑦ S-meter output, Active "L" ⑨ Output ⑩ Input, ⑪ Output ⑫ Input.
Q11	AF amplifier	
Q12	Microphone mute	Mute the microphone during DCL operations.
Q13	Microphone amplifier	
Q14	Microphone buffer amplifier	
Q15	3-pin AVR	Input : 13.2V, output : 8.1V.
Q16	Audio power amplifier	
Q17~Q22	Voltage control	Q17 : 8T (8V for common TX). Q18 : 8R (8V for common RX). Q19 : 14T (8V for 144MHz-band TX). Q20 : 43T (8V for 430MHz-band TX). Q21 : 14R (8V for 144MHz-band RX). Q22 : 43R (8V for 430MHz-band RX).
Q23	5 parallel transistor array	Drive Q17 to Q22.
Q24	430MHz-band power module	



Q24	430MHz-band power module	
Q27~Q30	Q23 switching switch	
Q31,Q32	Q33 operation switching switch	
Q33	PLL IC operation switching switch	OR IC
Q50	1750Hz tone oscillator	(T, W type)
D1,D2	Limiter diode	First IF limiting diode
D3,D4	Noise rectification	For squelch.
D5,D6	Discriminator detection diode	Center meter detection,
D7	Current reversal prevention	External COM 8V.
D8,D9	Current reversal prevention	Standby circuit.
D10	Current reversal prevention	
D11	430MHz-band ANT switching switch	

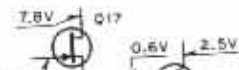
TW-4100A/E

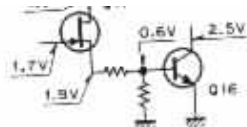
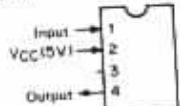
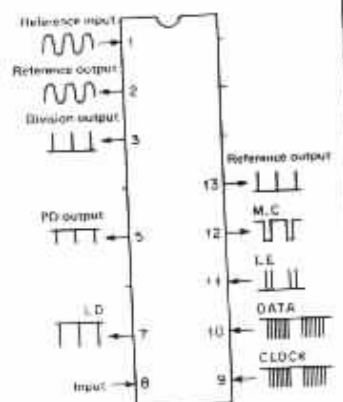
DESCRIPTION OF COMPONENTS

Component	Function	Operation/Condition
D12	Receive switching	
D13	430MHz-band RF PWR CONT & RF meter.	
D14	430MHz-band protection detection	
D15	Current reversal prevention	
D16	Constant-voltage diode	Input : 8V (COM), output : 5.8V.
D17,D21	Voltage drop	S-meter pointer 9 connector 11 pin 3 (RM) output : 3.8V
D20	Constant-voltage diode	Input : 8V (8T), output : 5.6V
D22	Current reversal prevention	

COMPOSITE UNIT (PLL-TX) (X60-3010-XX)

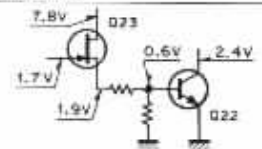
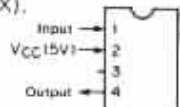
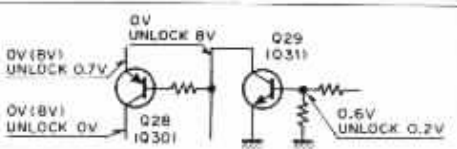
Component	Function	Operation/Condition
Q1	DC amplification	For 144MHz band protection, Adjust to 2A with VR1.
Q2	144MHz-band power module	
Q3	144MHz-band drive transistor	0.38W for 145MHz.
Q4	144MHz-band drive transistor	
Q5	144MHz-band drive transistor	
Q6	430MHz-band drive transistor	0.35W for 435MHz.
Q7	430MHz-band drive transistor	
Q8	430MHz-band drive transistor	
Q9	DC amplification	430MHz-band power control.
Q10	DC amplification	144MHz-band power control.
Q11	DC amplification	For 430MHz band protection, Adjust to 1.5A with VR9.
Q12	DC voltage control	
Q13	DC voltage control drive	
Q14,Q15	Differential amplification	144MHz band

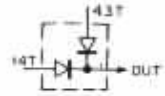


Q16,Q17	PLL low-pass filter	
Q18	Preamplifier	Input for 145MHz : 100mVp-p, output : 1.5Vp-p. ① Input 144 to 146MHz (TX), TX frequency-30.825MHz (RX). ② Vcc 5V. ④ Output 1/64, 1.5Vp-p.
Q19	1/64 divider	
Q20,Q26	1/2560, 1/2048 dividers	① Reference input (12.8MHz) 450mVp-p. ② Reference output (12.8MHz) 1.5Vp-p. ③ Input division output (5kHz or 6.25kHz). ⑤ PD output 1.8Vp-p. ⑦ Unlock pin, 5V when locked. ⑧ Input 1/64, 1.5Vp-p. ⑨ CLOCK input; always present. ⑩ Data input; always present. ⑪ LE input. This signal is applied only when the frequency changes. ⑫ Modulus control 5Vp-p. ⑬ Reference division output (5kHz or 6.25kHz). Note : Locked when ③ and ⑬ match. 
Q21	12.8MHz reference OSC	

TW-4100A/E

DESCRIPTION OF COMPONENTS

Component	Function	Operation/Condition
Q22,Q23	PLL low-pass filter	430MHz band. 
Q24	Preampifier	Input for 435MHz : 100mVp-p, output : 1.5Vp-p.
Q25	1/128 divider	① Input 430 to 440MHz (TX, TX frequency-30.825MHz (RX)). ② Vcc 5V. ④ Output 1/128, 1.5Vp-p. 
Q27	Ripple filter	
Q28~Q31	Unlock switching	Q28,Q29 : 430MHz band Q30,Q31 : 144MHz band Lock : ON, Unlock : OFF. 
Q32	3 pin AVR	Input : 13.4V, output : 5.8V.
D1	144MHz-band protection detection	
D2	144MHz-band RF PWR CONT & RF meter	
D3	144MHz-band ANT switching switch	
D4	Division operation stop	When 144MHz-band operation stops : 4.5V.
D5	Q3 base bias	
D6	144MHz-band ANT switching switch	

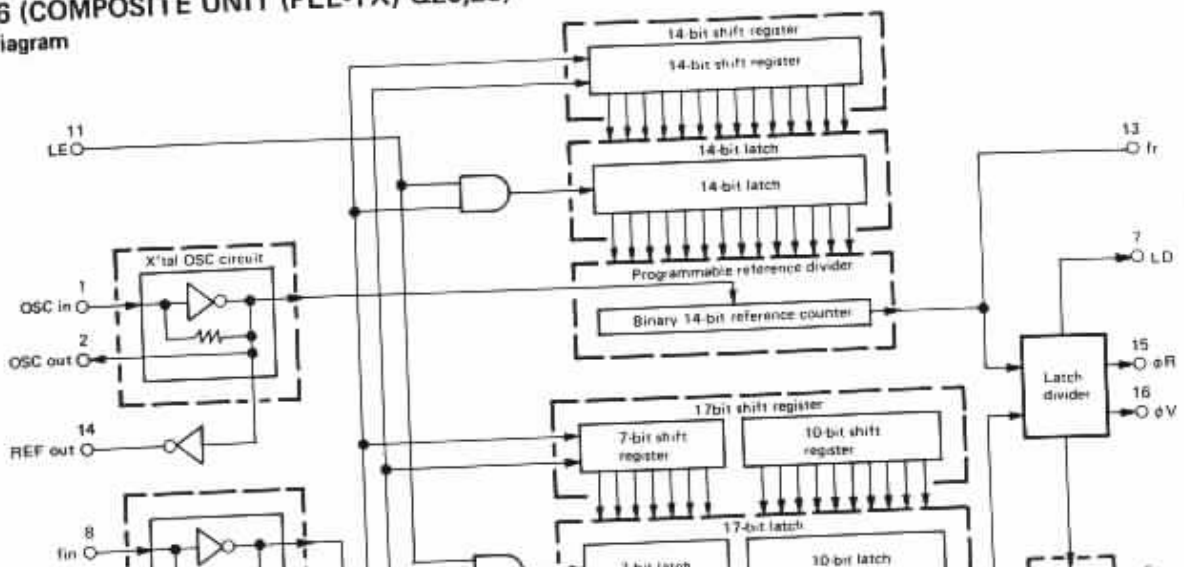
D5	Q3 base bias	
D6	144MHz-band ANT switching switch	
D7	Q6 base bias	
D8	Current reversal prevention	
D9,D10	Current reversal prevention	Low power cathode ground.
D11	Current reversal prevention	RF meter switching.
D12	Division operation stop	When 430MHz-band operation stops : 4.5V.
D13	144MHz-band UNLOCK detection	
D14	430MHz-band UNLOCK detection	
D15	Q27 start	
D16,D17	Voltage drop	
D18~D21	Current reversal prevention	
D23	Voltage drop	

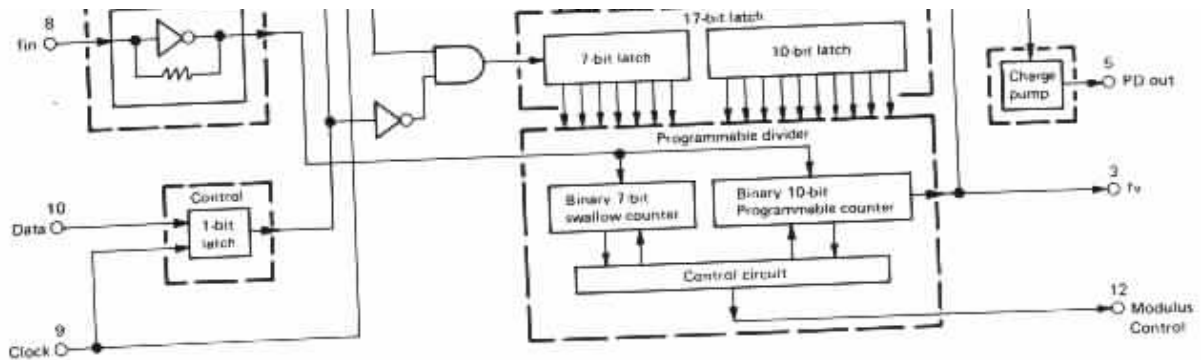
TW-4100A/E

SEMICONDUCTOR DATA

MB87006 (COMPOSITE UNIT (PLL-TX) Q20,26)

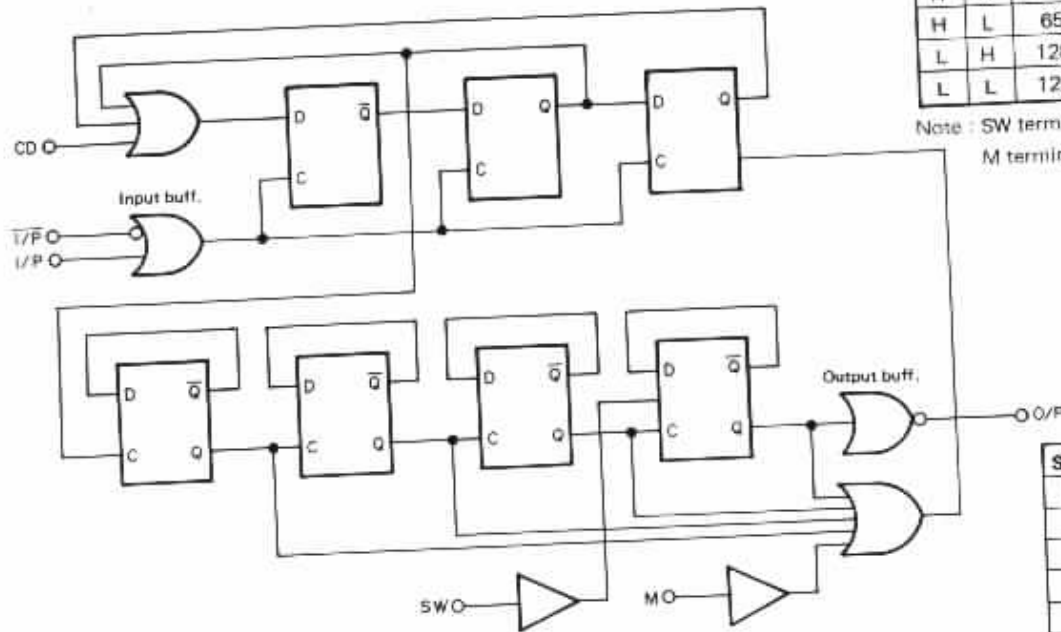
● Block diagram





MB501P/MB504P (COMPOSITE UNIT (PLL-TX) Q19,25)

• **Block diagram**



• **Function table**

MB501P			MB504P		
SW	M	Divide ratio	SW	M	Divide ratio
H	H	64 divide	H	H	32 divide
H	L	65 divide	H	L	33 divide
L	H	128 divide	L	H	64 divide
L	L	129 divide	L	L	65 divide

Note: SW terminal H: Vcc, L: VEE OPEN
M terminal H: 2.0V to Vcc, L: VEE to 0.8V

Symbol	Function
IP/ $\bar{I}P$	Input
O/P	Output
VCC	Power (+5V)
VEE	GND
SW	Switching the divide ratio
M	Setting the module
CD	Data set for checking (Actually open or GND)

TW-4100A/E

PARTS LIST

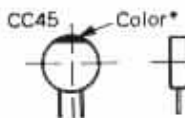
• **CAPACITORS**

CC	45	TH	1H	220	J
1	2	3	4	5	6

- 1 = Type ceramic, electrolytic, etc.
- 2 = Shape round, square, etc.
- 3 = Temp. coefficient
- 4 = Voltage rating
- 5 = Value
- 6 = Tolerance

• **Temperature Coefficient**

1st Word	C	L	P	R	S	T	U
Color*	Black	Red	Orange	Yellow	Green	Blue	Violet
ppm/°C	0	-80	-150	-220	-330	-470	-750



• **Capacitor value**

- 0 1 0 = 1pF
- 1 0 0 = 10pF
- 1 0 1 = 100pF
- 1 0 2 = 1000pF = 0.001μF

1 0 3 = 0.01μF

2 2 0 = 22pF
1st number Multiplier
2nd number

2nd Word	G	H	J	K	L
ppm/°C	± 30	± 60	± 120	± 250	± 500

Example CC45TH = -470 ± 60 ppm/°C

• **Tolerance**

Code	C	D	G	J	K	M	X	Z	P	No code
(%)	± 0.25	± 0.5	± 2	± 5	± 10	± 20	+ 40 - 20	+ 80 - 20	+ 100	10μF-10~+50 4.7μF-10~+75

Code	B	C	D	F	G
(pF)	± 0.1	± 0.25	± 0.5	± 1	± 2

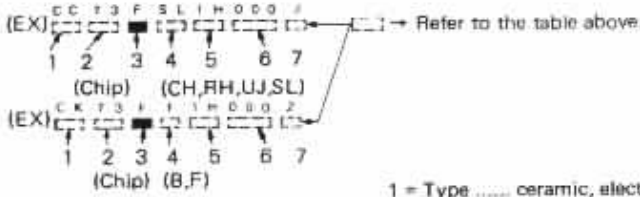
- Less than 10 pF
- **Rating voltage**

Less than 10 pF

• Rating voltage

2nd word \ 1st word	A	B	C	D	E	F	G	H	J	K	V
0	1.0	1.25	1.6	2.0	2.5	3.15	4.0	5.0	6.3	8.0	—
1	10	12.5	16	20	25	31.5	40	50	63	80	35
2	100	125	160	200	250	315	400	500	630	800	—
3	1000	1250	1600	2000	2500	3150	4000	5000	6300	8000	—

• Chip capacitors



Dimension

Dimension code	L	W	T
Empty	5.6 ± 0.5	5.0 ± 0.5	Less than 2.0
E	3.2 ± 0.2	1.6 ± 0.2	Less than 1.25
F	2.0 ± 0.3	1.25 ± 0.2	Less than 1.25

Dimension

Dimension code	L	W	T	Wattage
E	3.2 ± 0.2	1.6 ± 0.2	0.57	2B
F	2.0 ± 0.3	1.25 ± 0.2	0.45	2A

Rating wattage

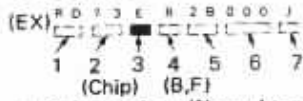
Code	Wattage	Code	Wattage	Code	Wattage
2A	1/10W	2E	1/4W	3A	1W
2B	1/8W	2H	1/2W	3D	2W
2C	1/6W				

Dimension

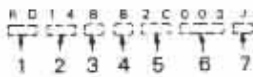


RESISTORS

• Chip resistor (Carbon)



• Carbon resistor (Normal type)



- 1 = Type ceramic, electrolytic, etc.
- 2 = Shape round, square, etc.
- 3 = Dimension
- 4 = Temp. coefficient
- 5 = Voltage rating
- 6 = Value
- 7 = Tolerance.

TW-4100A/E

PARTS LIST

N : New parts

SEMICONDUCTOR

Item	No. marks	Parts No.
Diode		1N60PSPA 1S1555 1S1587 1S101 1S133

Item	No. marks	Parts No.
Chip TR		2SC2712(BL) 2SC2712(Y) 2SC2714(Y) 2SC3295(B) 2SC3328(A)
Digital TR		DTC114EK

Vari-cap diode	1SS101	Digital TR	DTC114EK
	1SS133		DTC114TK
Chip diode	MC921	FET	2SK125
	MI308	Chip FET	2SK208(Y)
Zener diode	U15B	Transistor array	3SK184(R)
	UM9401		3SK184(S)
	1SV153	N	TA78
	1SS181	Power module	M57726
LCD	1SS184	N	M57788M
	1SS196	IC	LC7582
Thermister	DAN202(K)	N	LR4087
	DAP202(K)	N	MB501P
TR	MTZ5.6JC	N	MB504P
	MTZ6.2JC	N	MB87006
TR	LU1262	N	NJM78L06A
	112-202-2		NJM555M
TR	112-203-2	N	NJM4558M
	112-502-2		PST523C
TR	2SA1015(Y)	N	TA7761P
	2SB698		TC40H032F
TR	2SC1775(E)	N	TC74HC14F
	2SC2026		μPC1242H
TR	2SC2347	N	μPC7808H
	2SC2407(I)		μPD7507SCT-226
TR	2SC2458(Y)	N	μPD75108G-509-1B
	2SC2603(E)		
TR	2SC3019		
	N 2SD1761		

TW-4100A/E

PARTS LIST

* New Parts

Parts without Parts No. are not supplied.

Les articles non mentionnés dans le Parts No. ne sont pas fournis.

Teile ohne Parts No. werden nicht geliefert.

Ref. No.	Address	New Parts	Parts No.	Description	Destination	Remarks
参照番号	位置	新	部品番号	部品名 / 規格	仕向	備考

参照番号	位置	新	部品番号	部品名/規格	仕向備考
TW-4100A/E					
1	1B	*	A01-1014-23	METALLIC CABINET(TOP)	
2	3B	*	A01-1015-23	METALLIC CABINET(CASE)	
3	2C	*	A20-2585-03	PANEL ASSY	MIT1W1
3	2C	*	A20-2590-03	PANEL ASSY	K1M2
4	2C	*	A21-1507-04	DRESSING PANEL (DCL PLATE)	
-		*	A20-2584-03	PANEL	
5	3A	*	B42-2440-04	LABEL(BOTTOM CASE,144/430)	MIT1W1
5	3A	*	B42-2456-04	LABEL(BOTTOM CASE,144/440)	K1M2
6	1B,2G	*	B42-2438-04	LABEL(144MHZ,430MHZ)ACSY	MIT1W1
6	1B,2G	*	B42-2439-04	LABEL(144MHZ,440MHZ)ACSY	K1M2
7	1C	*	B43-1080-04	BADGE(TW-4100A)	K1M1M2
7	1C	*	B43-1081-04	BADGE(TW-4100E)	T1W1
11	1F	*	B46-0058-10	WARRANTY CARD	K1
12	1G	*	B50-B142-00	INSTRUCTION MANUAL	
-		*	B10-0680-04	FRONT GLASS	MIT1W1
-		*	B10-0682-04	FRONT GLASS	K1M2
C1			CC45SL2H150J	CERAMIC 15PF J	
C32			CC45SL2H030C	CERAMIC 3.0PF C	
C196	2B		CE04EW1C102M	ELECTRO 1000UF 16WV	
18	1B,2B		E23-0473-04	GND LUG (ANT)	
19	2B		ED4-0164-05	RF RECEPTACLE (M TYPE)	
20	1B		ED4-0162-25	RF RECEPTACLE (N TYPE)	T1W1
20	2B		ED4-0164-05	RF RECEPTACLE (M TYPE)	K1M1M2
21	2B	*	E30-2085-15	DC CABLE (REAR PANEL)	
22	1G		E30-2054-05	DC CABLE ASSY (ACSY)	
24	1D	*	E31-3198-05	CONNECTING WIRE(3P,ENCODER)	
25	2A		E31-3197-05	CONNECTING WIRE(2P,SP)	
-			E23-0420-05	GND LUG (POWER MODULE)	
-			E23-0427-05	GND LUG (PLL)	
-			E23-0447-05	SLEEVE TERMINAL(DC CABLE,-)	
27	1B	*	F01-0948-05	HEAT SINK	
28	2B,2G		F05-1031-05	FUSE (10A)	
31	2C	*	F19-0645-14	BLIND PLATE (DCL PLATE)	
32	2A	*	F20-0570-04	INSULATING PLATE(CHASSIS,TOP)	
33	2A	*	F20-0571-04	INSULATING PLATE(CHASSIS,BTM)	
34	1E	*	F20-0572-04	INSULATING PLATE(CONTROL,MIC)	
36	2A,1B	*	F20-0565-04	INSULATING PLATE(CHASSIS)	
37	1B	*	F20-0557-14	INSULATING PLATE(CASE)	
38	2A,3A	*	F90-0686-04	ABSORBER (SP,CHASSIS,CASE)	
-			F05-2036-05	FUSE (20A)	
-			F20-0520-04	FELT (LITHIUM BATTERY,TOP)	
-			F20-0521-04	FELT (LITHIUM BATTERY,BOTTOM)	
9	3A	*	G10-0650-04	FELT (SP)	
39	2C		G02-0505-05	SPRING (VBL,SOL)	
40	3B	*	G11-0621-14	CONDUCTIVE RUBBER(RX SHIELD)	
41	2G	*	G10-0645-04	FELT (TONE UNIT)	
42	1A	*	G11-0619-04	CONDUCTIVE RUBBER(VCB)	
44	2D	*	G13-0832-24	CUSHION (5 KEYS)	
45	2D	*	G13-0833-14	CUSHION (DCL KEY)	
46	1C	*	G13-0834-24	CUSHION (3 KEYS)	
48	2G	*	G13-0837-14	CUSHION (MODEM UNIT)	

E: Scandinavia & Europe K: USA P: Canada
 U: PX(Far East, Hawaii) T: England M: Other Areas
 UE: AAFES(Europe) X: Australia

TW-4100A : K1,M1,M2
 TW-4100E : T1,W1

 indicates safety critical components.

TW-4100A/E

PARTS LIST

PARTS LIST

* New Parts
 Parts without Parts No. are not supplied.
 Les articles non mentionnés dans le Parts No. ne sont pas fournis.
 Teile ohne Parts No. werden nicht geliefert.

Ref. No. 参照番号	Address 位置	New Parts 新	Parts No. 部品番号	Description 部品名 / 規格	Desti- nation 仕 向	Re- marks 備考
49	2B	*	G11-0620-14	CONDUCTIVE RUBBER(CHASSIS)		
50	3B		G13-0687-04	CUSHION (BETWEEN RX AND HIC)		
51	2A		G13-0843-14	CUSHION (SPRING OF RF UNIT)		
-		*	G13-0836-14	CUSHION	M1M2TW	
-		*	G13-0842-04	CUSHION		
-		*	G13-0855-04	CUSHION	M1M2T1	
-		*	G13-0855-04	CUSHION	W1	
53	2F	*	H01-8020-03	ITEM CARTON BOX(144/440)4100A	K1M2	
53	2F	*	H01-8021-03	ITEM CARTON BOX(144/430)4100A	M1	
53	2F	*	H01-8022-03	ITEM CARTON BOX TW-4100E	T1W1	
55	1G		H12-1345-04	PACKING FIXTURE(TOP)		
56	2F	*	H13-0810-04	PROTECTION PLATE(MIC)		
57	2F	*	H13-0811-04	PROTECTION PLATE(ROTARY ENC.)		
58	2G		H25-0029-04	PROTECTION BAG (ACSY)		
59	2G		H25-0103-04	PROTECTION BAG (MIC)		
60	2G		H25-0105-04	PROTECTION BAG (MOUNT BRACKET)		
61	2G		H25-0117-04	PROTECTION BAG (DC CABLE)		
63	2F	*	H25-0713-04	PROTECTION BAG (RADIO)		
64	3G	*	H10-2613-02	POLYSTYRENE FOAMED FIXTURE		
67	2A		J21-1144-34	MOUNTING HARDWARE(SP)		
68	2G	*	J29-0414-22	MOUNTING BRACKET		
69	2B		J41-0033-05	CABLE BUSHING (DC CABLE)		
-			J61-0307-05	WIRE BAND		
73	2C		K21-0779-15	KNBB (MAIN)		
74	2C		K23-0779-04	KNBB (VOL., SOL)		
75	1C, 2D	*	K29-3049-04	KNBB		
76	1C	*	K29-3050-04	KNBB		
77	2D	*	K29-3051-04	KNBB (DCL)		
L1	2B	*	L92-0121-05	TORSIONAL CORE		
L2	.3		L92-0110-05	BEAD CORE		
B2	2G	*	N99-0315-04	SCREW SET (MOUNTING BRACKET)		
A	1B		N87-3006-41	BRAZIER TAPTITE SCREW(ANT)		
B	2B		N35-3005-41	BINDING SCREW(DC CABLE, -)		
C	2A, 2B		N32-3006-46	FLAT SCREW(HEAT SINK, CHASSIS)		
D	2B		N88-3006-46	FLAT TAPTITE SCREW(HEAT SINK)		
E	1A, 3B		N87-2605-46	BRAZIER TAPTITE SCREW(COMP. PCB)		
F	1A		N35-3006-46	BINDING SCREW(COMP. UNIT RX)		
G	1B, 2B		N09-0623-04	SEMUSE SCREW(POWER MODULE)		
H	1D, 1E		N35-2004-46	BINDING SCREW(CONTROL, KEYBOARD)		
J	2A, 2C		N32-3004-46	FLAT SCREW(PANEL, SUB PANEL)		
K	3A, 3B		N32-3004-45	FLAT SCREW(SP)		
L	3A, 3B		N35-3006-45	BINDING SCREW(CASE)		
M	3A, 3B		N32-3008-45	FLAT SCREW(CASE)		
N	3A, 3B		N32-3005-45	FLAT SCREW (CASE)		
-			S50-1406-05	TACT SWITCH (MIC UP/DWN)	M1M2T1	
-			S50-1406-05	TACT SWITCH (MIC UP/DWN)	W1	
90	3A		T07-0240-05	LOUDSPEAKER(FULLRANGE)	M1M2T1	
91	2G		T91-0357-15	MICROPHONE (ACSY)	W1	
91	2G		T91-0357-15	MICROPHONE (ACSY)	K1	
91	2G		T91-0359-05	MICROPHONE (ACSY)		
-			LR4087	IC(TONE DIALER)		
Q2	1A		M5726	IC(POWER MODULE)		

TW-4100A : K1, M1, M2
 TW-4100E : T1, W1

E: Scandinavia & Europe K: USA P: Canada
 U: PX(Far East, Hawaii) T: England M: Other Areas
 UE: AAFES(Europe) X: Australia

indicates safety critical components

PARTS LIST

* New Parts

Parts without Parts No. are not supplied.

Les articles non mentionnés dans le Parts No. ne sont pas fournis.

Teile ohne Parts No. werden nicht geliefert.

Ref. No. 参照番号	Address 位置	New Parts 新	Parts No. 部品番号	Description 部品名 / 規格	Desti- nation 仕向	Re- marks 備考
Q24	2B	*	M57788M	IC (POWER MODULE)		
101	1D	*	W02-0378-05	ROTARY ENCODER		
102	2D	*	W03-2003-15	KEYBOARD ASSY		
-			W09-0326-05	LITHIUM BATTERY (BR2032)		
107	1D.1E	*	X53-3000-11	CONTROL UNIT	K1	
107	1D.1E	*	X53-3000-21	CONTROL UNIT	M1	
107	1D.1E	*	X53-3000-22	CONTROL UNIT	M2	
107	1D.1E	*	X53-3000-51	CONTROL UNIT	T1	
107	1D.1E	*	X53-3000-61	CONTROL UNIT	W1	
108	1A	*	X60-3010-01	COMPOSITE UNIT (PLL-TX)	M1T1W1	
108	1A	*	X60-3010-11	COMPOSITE UNIT (PLL-RX)	K1M2	
109	2B	*	X60-3000-11	COMPOSITE UNIT (RX)	K1M1M2	
109	2B	*	X60-3000-51	COMPOSITE UNIT (RX)	T1W1	
KEYBOARD ASS'Y (W03-2003-15)						
PL1 #2			B30-0851-05	PIL0T LAMP		
-			S50-1412-05	TACT SWITCH (SELECT)		
-			S50-1426-05	TACT SWITCH		
713 01	2D	*	LU1262 LC7582	LCD IC (LCD DRIVER)		
CONTROL UNIT (X53-3000-XX) -11 : K -21 : M1 -22 : M2 -51 : T -61 : W						
C1			CK73FB1H103K	CHIP C	0.010UF	K
C6 -8			CK73FB1H102K	CHIP C	1000PF	K
C9			CK73FF1E104Z	CHIP C	0.10UF	Z
C10			CK73FB1H102K	CHIP C	1000PF	K
C11			CK73FB1H182K	CHIP C	1800PF	K
C12			CK73FB1H102K	CHIP C	1000PF	K
C13			CK73FB1H182K	CHIP C	1800PF	K
C14 -22			CK73FB1H102K	CHIP C	1000PF	K
C23			C90-0838-05	ELECTR0	1UF	50WV
C24 -29			CK73FB1H102K	CHIP C	1000PF	K
C32 -36			CK73FB1H102K	CHIP C	1000PF	K
C37			CE04CW1A330M	ELECTR0	33UF	10WV
C38			CK73FB1H102K	CHIP C	1000PF	K
C39			CK73FB1H471K	CHIP C	470PF	K
C40			CS15E1A100M	TANTAL	10UF	10WV
C41			CK73FF1E104Z	CHIP C	0.10UF	Z
C42 #43			CC73FCH1H220J	CHIP C	22PF	J
C44			CC73FCH1H221J	CHIP C	220PF	J
C45			CC73FCH1H331J	CHIP C	330PF	J
C46			CC73FCH1H560J	CHIP C	56PF	J
C47			CC73FCH1H331J	CHIP C	330PF	J
C48 -52			CK73FB1H102K	CHIP C	1000PF	K
C53 #54			CC73FCH1H330J	CHIP C	33PF	J
C55			CK73FB1H102K	CHIP C	1000PF	K
C56			CE04CW1A100M	ELECTR0	10UF	10WV
C57 #58			CC45CH1H330J	CERAMIC	33PF	J
C59 -62			CK73FB1H103K	CHIP C	0.010UF	K
C63			CC45CH1H330J	CERAMIC	33PF	J
C64 #65			CK45B1H102K	CERAMIC	1000PF	K
C66 -70			CC45SL1H101J	CERAMIC	100PF	J
C101-103			CK73FB1H102K	CHIP C	1000PF	K
C104			CK45B1H102K	CERAMIC	1000PF	K

E: Scandinavia & Europe K: USA P: Canada
 U: PX (Far East, Hawaii) T: England M: Other Areas
 IIE: AAFPS (Europe) X: Australia

TW-4100A : K1,M1,M2
 TW-4100E : T1,W1

⚠ indicates safety critical components.

TW-4100A/E

PARTS LIST

* New Parts

Parts without Parts No. are not supplied.

Les articles non mentionnés dans le Parts No. ne sont pas fournis.

Teile ohne Parts No. werden nicht geliefert.

Ref. No.	Address	New Parts	Parts No.	Description	Destination	Remarks
参照番号	位置	新	部品番号	部品名 / 規格	仕向	備考
-			ED6-0858-05	BP METAL SOCKET		
CN1		*	E40-5073-05	PIN CONNECTOR (PH 2P)		
CN2		*	E40-5074-05	PIN CONNECTOR (3P)		
CN3			E40-3328-05	PIN CONNECTOR (8P)		
CN4 ,5		*	E40-5079-05	PIN CONNECTOR (MO 8P)		
CN6		*	E40-5073-05	PIN CONNECTOR (PH 2P)		
CN7		*	E40-5077-05	PIN CONNECTOR (12P)		
CN8		*	E40-5075-05	PIN CONNECTOR (4P)		
CN9			E40-3638-05	PIN CONNECTOR (5P)		
CN10		*	E40-5073-05	PIN CONNECTOR (PH 2P)		
CN12			E40-3328-05	PIN CONNECTOR (8P)		
CN13			E40-3661-05	PIN CONNECTOR (7P)		
TP1 -3			E23-0465-05	TERMINAL (TEST TERMINAL)		
-			F29-0428-04	INSULATOR (MIC)		
200	1E		G13-0815-04	CUSHION		
X1		*	L77-1313-05	CRYSTAL RESONATOR(4.19430MHZ)		
X2		*	L78-0020-05	RESONATOR (350KHZ)		
J1 -4			R92-1061-05	JUMPER REST 0 OHM		
JP1			R92-0150-05	JUMPER REST 0 OHM		
R1			RK73FB2A104J	CHIP R 100K	J	1/10W
R7			RK73FB2A473J	CHIP R 47K	J	1/10W
R10			RD14CB2C103J	RD 10K	J	1/6W
R11			RK73FB2A273J	CHIP R 27K	J	1/10W
R12			RK73FB2A153J	CHIP R 15K	J	1/10W
R13			RK73FB2A273J	CHIP R 27K	J	1/10W
R14 ,15			RK73FB2A473J	CHIP R 47K	J	1/10W
R16			RK73FB2A564J	CHIP R 560K	J	1/10W
R17			RK73FB2A103J	CHIP R 10K	J	1/10W
R18			RK73FB2A104J	CHIP R 100K	J	1/10W
R19			RK73FB2A472J	CHIP R 4.7K	J	1/10W
R20 -30			RK73FB2A473J	CHIP R 47K	J	1/10W
R31			RK73FB2A684J	CHIP R 680K	J	1/10W
R32			RK73FB2A683J	CHIP R 68K	J	1/10W
R33			RK73FB2A823J	CHIP R 82K	J	1/10W
R34			RD14BB2C473J	RD 47K	J	1/6W
R35			RK73FB2A103J	CHIP R 10K	J	1/10W
R36			RK73FB2A154J	CHIP R 150K	J	1/10W
R37			R92-0670-05	CHIP R 0 OHM	J	1/10W
R38			RK73FB2A563J	CHIP R 56K	J	1/10W
R39 -48			RK73FB2A473J	CHIP R 47K	J	1/10W
R49 -51			R92-0670-05	CHIP R 0 OHM	J	1/10W
R52			RK73FB2A101J	CHIP R 100	J	1/10W
R53			RD14BB2C104J	RD 100K	J	1/6W
R55 -58			RD14BB2C222J	RD 2.2K	J	1/6W
R59			RD14BB2C272J	RD 2.7K	J	1/6W
R60			RD14BB2C222J	RD 2.2K	J	1/6W
R61 ,62			RK73FB2A473J	CHIP R 47K	J	1/10W
R63			RK73FB2A333J	CHIP R 33K	J	1/10W
R64			RD14BB2C333J	RD 33K	J	1/6W
		*	RO5-3438-05	POTENTIOMETER(10KK)		
				POTENTIOMETER(50KK)		

R6-3 R64 VR1 VR2	* *	RD14BB2C333J R05-3438-05 R05-4417-05	KU POTENTIOMETER (10KK) POTENTIOMETER (50KB)	K1M1M2
D2		1SS133	DIODE	

TW-4100A : K1,M1,M2
TW-4100E : T1,W1

E: Scandinavia & Europe K: USA P: Canada
U: PX(Far East, Hawaii) T: England M: Other Areas
UE: AAFES(Europe) X: Australia

⚠ indicates safety critical components.

24

TW-4100A/E

PARTS LIST

* New Parts

Parts without Parts No. are not supplied.

Les articles non mentionnés dans le Parts No. ne sont pas fournis.

Teile ohne Parts No. werden nicht geliefert.

Ref. No. 参照番号	Address 位置	New Parts 新	Parts No. 部品番号	Description 部品名 / 規格	Desti- nation 仕向	Re- marks 備考
D3			1SS133	DIODE	T1	
D4			1SS133	DIODE	T1W1	
D5			1SS133	DIODE	M1T1W1	
D6			1SS133	DIODE		
D7			1SS133	DIODE	M2T1W1	
DB ,9			1SS133	DIODE		
D10			1SS133	DIODE	K1M1	
D10			1SS133	DIODE	T1W1	
D11 -13			1SS133	DIODE		
D14			1SS133	DIODE	T1W1	
D15 -18			1SS133	DIODE		
D19			1SS196	CHIP DIODE		
D20			DAP202(K)	CHIP DIODE		
D21			DAN202(K)	CHIP DIODE		
D23 -27			1SS133	DIODE		
Q1		*	75108G-509-1B	IC(MICROPROCESSOR)		
Q2		*	UPD7507SCT-226	IC(MICROPROCESSOR)		
Q3			2SC2712(Y)	CHIP TRANSISTOR		
Q4		*	TC74HC14F	IC(HEX SCHUMITT INVERTER)		
Q5			PST523C	IC(SYSTEM RESET)		
Q7			DTC114EK	DIGITAL TRANSISTOR		
PLL SUB VCO (X58-3000-XX) -00 : M1,T,W -11 : K,M2						
C1			CC73FCH1H100D	CHIP C 10PF D		
C2			CC73FCH1H040C	CHIP C 4.0PF C		
C3			CC73FCH1H120J	CHIP C 12PF J		
C4 ,5			CK73FB1H102K	CHIP C 1000PF K		
C7			CK73FB1H102K	CHIP C 1000PF K		
C8			CC73FCH1H020C	CHIP C 2.0PF C		
C9			CC73FCH1H010C	CHIP C 1.0PF C		
C10			CC73FCH1H080D	CHIP C 8.0PF D		
C11			CC73FCH1H150J	CHIP C 15PF J		
C12			CK73FB1H102K	CHIP C 1000PF K		
C13			CC73FCH1H390J	CHIP C 39PF J		
C14			CK73FB1H102K	CHIP C 1000PF K		
C15			CS15E1V0R1M	TANTAL 0.1UF 35WV		
C16			CC73FCH1H220J	CHIP C 22PF J		
C17			CC73FCH1H390J	CHIP C 39PF J		
C18			CC73FCH1H270J	CHIP C 27PF J		
C19			CC73FCH1H070D	CHIP C 7.0PF D		
C20			CC73FCH1H010C	CHIP C 1.0PF C		
C21			CC73FCH1H080D	CHIP C 8.0PF D		
C22			CC73FCH1H150J	CHIP C 15PF J		
C23			CK73FB1H102K	CHIP C 1000PF K		
C24			CC73FCH1H330J	CHIP C 33PF J		
C25 ,26			CK73FB1H102K	CHIP C 1000PF K		
C27			CS15E1E010M	TANTAL 1.0UF 25WV		
C28			CS15E1V0R1M	TANTAL 0.1UF 35WV		

C27 C28		CS15E1V0R1M	TANTAL	0.1UF	35WV
C29 -35		CK73FB1H102K	CHIP C	1000PF	K
C36		C90-0896-05	ELECTRN	47UF	16WV
C37		CC73FCH1H100D	CHIP C	10PF	D
C38		CC73FCH1H080D	CHIP C	8.0PF	D
C39 -41		CK73FB1H102K	CHIP C	1000PF	K
C42		CC73FCH1H020C	CHIP C	2.0PF	C
C43		CC73FCH1H010C	CHIP C	1.0PF	C

E: Scandinavia & Europe K: USA P: Canada
 U: PX(Far East, Hawaii) T: England M: Other Areas
 UE: AAFES(Europe) X: Australia

TW-4100A: K1,M1,M2
 TW-4100E: T1,W1

Indicates safety critical components.

TW-4100A/E

PARTS LIST

* New Parts
 Parts without Parts No. are not supplied.
 Les articles non mentionnes dans le Parts No. ne sont pas fournis.
 Teile ohne Parts No. werden nicht geliefert.

Ref. No. 参照番号	Address 位置	New Parts 新	Parts No. 部品番号	Description 部品名 / 規格	Desti- nation 仕 向	Re- marks 備考
C44			CC73FCH1H080D	CHIP C 8.0PF D		
C45			CC73FCH1H100D	CHIP C 10PF D		
C46			CK73FB1H102K	CHIP C 1000PF K		
C47			CC73FCH1H150J	CHIP C 15PF J		
C48 ,49			C90-0896-05	ELECTRN 47UF 16WV		
C50			CK73FB1H102K	CHIP C 1000PF K		
C51			CS15E1V0R1M	TANTAL 0.1UF 35WV		
C52			CK73FB1H102K	CHIP C 1000PF K		
C53			CC73FCH1H100D	CHIP C 10PF D		
C54 -57			CK73FB1H102K	CHIP C 1000PF K		
C58 ,59			CC73FCH1H010C	CHIP C 1.0PF C		
C60			CC73FCH1H080D	CHIP C 8.0PF D		
C61			CC73FCH1H090D	CHIP C 9.0PF D		
C62			CK73FB1H102K	CHIP C 1000PF K		
C63			CC73FCH1H100D	CHIP C 10PF D		
C64			CC73FCH1H080D	CHIP C 8.0PF D		
C66			CS15E1E010M	TANTAL 1.0UF 25WV		
C67			CS15E1V0R1M	TANTAL 0.1UF 35WV		
C68 -73			CK73FB1H102K	CHIP C 1000PF K		
C74			C90-0896-05	ELECTRN 47UF 16WV		
C75 ,76			CK73FB1H102K	CHIP C 1000PF K		
C77 ,78			C90-0896-05	ELECTRN 47UF 16WV		
C79			CK73FB1H102K	CHIP C 1000PF K		
C80			CC73FCH1H100D	CHIP C 10PF D		
C81			CC73FCH1H080D	CHIP C 8.0PF D		
C82			CC73FCH1H020C	CHIP C 2.0PF C		
C83			CK73FB1H102K	CHIP C 1000PF K		
C84			CC73FCH1H471J	CHIP C 470PF J		
C85			CK73FF1E104Z	CHIP C 0.10UF Z		
C86			CK45B1H102K	CERAMIC 1000PF K		
C87			CK73EF1E104Z	CHIP C 0.10UF Z		
TC1 ,2			C05-0349-05	TRIMMING CAP (10PF)		
-			E23-0464-05	TERMINAL (TEST TERMINAL)		
L1			L34-0890-05	TUNING COIL		
L2 ,3		*	L40-4791-14	SMALL FIXED INDUCTOR(4.7UH)		
L4			L32-0687-05	OSCILLATING COIL(7T)		
L5			L40-4791-14	SMALL FIXED INDUCTOR(4.7UH)		
L6 ,7			L34-1158-05	COIL (3.4.5R)		
L8 ,9			L40-4791-14	SMALL FIXED INDUCTOR(4.7UH)		
			L32-0687-05	OSCILLATING COIL(4T)		

L8 .9		L40-4791-14	SMALL FIXED INDUCTOR(4.7UH)
L10	*	L32-0686-05	OSCILLATING COIL(4T)
L11		L40-4791-14	SMALL FIXED INDUCTOR(4.7UH)
L12		L34-105B-05	COIL (3.2.5N)
L13		L40-1092-14	SMALL FIXED INDUCTOR(1UH)
L14 .15		L40-4782-14	SMALL FIXED INDUCTOR(0.47UH)
L16	*	L34-1180-05	COIL (3.2.5R)
L17		L40-4782-14	SMALL FIXED INDUCTOR(0.47UH)
L18	*	L34-1175-05	COIL (3.1.5R)
L19		L40-4782-14	SMALL FIXED INDUCTOR(0.47UH)
L20		L34-1185-05	COIL (3.2.5N)
L21 .22	*	L40-4782-14	SMALL FIXED INDUCTOR(0.47UH)
L23		L34-0890-05	TUNING COIL
R1		RK73FB2A470J	CHIP R 47 J 1/10W
R2		RK73FB2A562J	CHIP R 5.6K J 1/10W

TW-4100A : K1,M1,M2
TW-4100E : T1,W1

E: Scandinavia & Europe K: USA P: Canada
U: PX(Far East, Hawaii) T: England M: Other Areas
UE: AAFES(Europe) X: Australia

 indicates safety critical components.

26

TW-4100A/E

PARTS LIST

* New Parts

Parts without Parts No. are not supplied.

Les articles non mentionnés dans le Parts No. ne sont pas fournis.

Teile ohne Parts No. werden nicht geliefert.

Ref. No. 参照番号	Address 位置	New Parts 新	Parts No. 部品番号	Description 部品名 / 規格	Desti- nation 仕 向	Re- marks 備考
R3			RK73FB2A102J	CHIP R 1.0K J 1/10W		
R4			RD14BB2C221J	RD 220 J 1/6W		
R5			RK73FB2A221J	CHIP R 220 J 1/10W		
R6			RK73FB2A103J	CHIP R 10K J 1/10W		
R7			RK73FB2A391J	CHIP R 390 J 1/10W		
R8			RK73FB2A221J	CHIP R 220 J 1/10W		
R9			RK73FB2A470J	CHIP R 47 J 1/10W		
R10			RK73FB2A562J	CHIP R 5.6K J 1/10W		
R11			RK73FB2A561J	CHIP R 560 J 1/10W		
R12 .13			RK73FB2A473J	CHIP R 47K J 1/10W		
R14			RK73FB2A153J	CHIP R 15K J 1/10W		
R15			RK73FB2A101J	CHIP R 100 J 1/10W		
R16			RK73FB2A221J	CHIP R 220 J 1/10W		
R17			RK73FB2A470J	CHIP R 47 J 1/10W		
R18			RK73FB2A103J	CHIP R 10K J 1/10W		
R19			RK73FB2A272J	CHIP R 2.7K J 1/10W		
R20			RK73FB2A682J	CHIP R 6.8K J 1/10W		
R21			RK73FB2A470J	CHIP R 47 J 1/10W		
R22			RK73FB2A103J	CHIP R 10K J 1/10W		
R23			RD14BB2C101J	RD 100 J 1/6W		
R24			RK73FB2A562J	CHIP R 5.6K J 1/10W		
R25			RK73FB2A470J	CHIP R 47 J 1/10W		
R26			RK73FB2A102J	CHIP R 1.0K J 1/10W		
R27			R92-0670-05	CHIP R 0.8HM		
R28			RK73FB2A221J	CHIP R 220 J 1/10W		
R29			RK73FB2A470J	CHIP R 47 J 1/10W		
R30			RK73FB2A562J	CHIP R 5.6K J 1/10W		
R31			RK73FB2A561J	CHIP R 560 J 1/10W		
R32 .33			RK73FB2A473J	CHIP R 47K J 1/10W		
R34			RK73FB2A153J	CHIP R 15K J 1/10W		
R35 -38			RK73FB2A331J	CHIP R 330 J 1/10W		
R39			RK73FB2A471J	CHIP R 470 J 1/10W		
R40			RK73FB2A102J	CHIP R 1.0K J 1/10W		
R41			RK73FB2A471J	CHIP R 470 J 1/10W		
R42			R92-0670-05	CHIP R 0.8HM		
VR1			R12-3445-05	TRIMMING PBT. (47K)		

VR1		R12-3445-05	TRIMMING PBT. (47K)		
VR2		R12-3444-05	TRIMMING PBT. (10K)		
VR3		R12-3445-05	TRIMMING PBT. (47K)		
VR4		R12-3444-05	TRIMMING PBT. (10K)		
D1	-4	1SV153	VARI-CAP DIODE		
Q1	.2	2SK125	FET		
Q3	.4	DTC114EK	DIGITAL TRANSISTOR		
Q5		2SC2026	TRANSISTOR		
Q6		2SK125	FET		
Q7		2SC2026	TRANSISTOR		
Q8		2SK125	FET		
Q9	.10	DTC114EK	DIGITAL TRANSISTOR		
Q11		2SC2026	TRANSISTOR		
MIC AMP., S-METER (X59-1010-10)					
C1		CK73FB1H472K	CHIP C 4700PF K		
-		E23-0471-05	TERMINAL		
R1		RK73FB2A473J	CHIP R 47K J 1/10W		
R2		RK73FB2A474J	CHIP R 470K J 1/10W		

E: Scandinavia & Europe K: USA P: Canada
 U: PX(Far East, Hawaii) T: England M: Other Areas
 UE: AAFES(Europe) X: Australia

TW-4100A: K1,M1,M2
 TW-4100E: T1,W1

⚠ indicates safety critical components.

TW-4100A/E

PARTS LIST

* New Parts
 Parts without Parts No. are not supplied.
 Les articles non mentionnés dans le Parts No. ne sont pas fournis.
 Teile ohne Parts No. werden nicht geliefert.

Ref. No. 参照番号	Address 位置	New Parts 新	Parts No. 部品番号	Description 部品名 / 規格	Desti- nation 仕 向	Re- marks 備考
R3			RK73FB2A103J	CHIP R 10K J 1/10W		
R4			RK73FB2A474J	CHIP R 470K J 1/10W		
R5			RK73FB2A224J	CHIP R 220K J 1/10W		
R6			RK73FB2A184J	CHIP R 180K J 1/10W		
R7			RK73FB2A473J	CHIP R 47K J 1/10W		
R8			RK73FB2A472J	CHIP R 4.7K J 1/10W		
R9			RK73FB2A103J	CHIP R 10K J 1/10W		
R10			RK73FB2A822J	CHIP R 8.2K J 1/10W		
D1			1SS184	CHIP DIODE		
D2			1SS181	CHIP DIODE		
IC1			NJM4558M	IC(OP AMP X2)		
ALERT, VACANT CH. (X59-1020-10)						
C1			CK73FB1H102K	CHIP C 1000PF K		
-			E23-0471-05	TERMINAL		
R1			RK73FB2A103J	CHIP R 10K J 1/10W		
R2			RK73FB2A472J	CHIP R 4.7K J 1/10W		
R3			RK73FB2A223J	CHIP R 22K J 1/10W		
R4			RK73FB2A273J	CHIP R 27K J 1/10W		
R5	-7		RK73FB2A103J	CHIP R 10K J 1/10W		
D1			1SS181	CHIP DIODE		
Q1			2SC3326(A)	CHIP TRANSISTOR		
Q2	-4		2SC2712(Y)	CHIP TRANSISTOR		
CENTER DETECTOR (X59-1030-10)						
C1	.2		CK73FB1H102K	CHIP C 1000PF K		
C3	.4		CK73FF1E473Z	CHIP C 0.047UF Z		
C5			CK73FB1H102K	CHIP C 1000PF K		
-			E23-0471-05	TERMINAL		

-		E23-0471-05	TERMINAL			
R1		RK73FB2A224J	CHIP R	220K	J	1/10W
R2		RK73FB2A222J	CHIP R	2.2K	J	1/10W
R3		RK73FB2A332J	CHIP R	3.3K	J	1/10W
R4		RK73FB2A333J	CHIP R	33K	J	1/10W
R5	.6	RK73FB2A104J	CHIP R	100K	J	1/10W
R7		RK73FB2A563J	CHIP R	56K	J	1/10W
R8		RK73FB2A102J	CHIP R	1.0K	J	1/10W
R9	.10	RK73FB2A103J	CHIP R	10K	J	1/10W
R11		RK73FB2A102J	CHIP R	1.0K	J	1/10W
R12		RK73FB2A104J	CHIP R	100K	J	1/10W
R13	.14	R92-0670-05	CHIP R	0.6HM		
D1		1SS181	CHIP DIODE			
IC1		NJM4558M	IC (OP AMP X2)			
Q1		2SC2714(Y)	CHIP TRANSISTOR			
MIC AMP. (X59-3190-00)						
C1		CC73FSL1H390J	CHIP C	39PF	J	
C2		CK73FB1H152K	CHIP C	1500PF	K	
C3		CC73FSL1H331J	CHIP C	330PF	J	
C4		CC73FSL1H561J	CHIP C	560PF	J	
C5		CC73FSL1H331J	CHIP C	330PF	J	
-		E23-0471-05	TERMINAL			
R1		RK73FB2A682J	CHIP R	6.8K	J	1/10W
R2		RK73FB2A221J	CHIP R	220	J	1/10W

E: Scandinavia & Europe K: USA P: Canada
 U: PX(Far East, Hawaii) T: England M: Other Areas
 UE: AAFES(Europe) X: Australia

TW-4100A: K1,M1,M2
 TW-4100E: T1,W1

⚠ indicates safety critical components.

TW-4100A/E

PARTS LIST

* New Parts

Parts without **Parts No.** are not supplied.

Les articles non mentionnés dans le **Parts No.** ne sont pas fournis.

Teile ohne **Parts No.** werden nicht geliefert.

Ref. No. 参照番号	Address 位置	New Parts 新	Parts No. 部品番号	Description 部品名 / 規格	Desti- nation 仕 向	Re- marks 備考
R3			RK73FB2A104J	CHIP R 100K J 1/10W		
R4			RK73FB2A153J	CHIP R 15K J 1/10W		
R5			RK73FB2A333J	CHIP R 33K J 1/10W		
R6			RK73FB2A224J	CHIP R 220K J 1/10W		
R7			RK73FB2A822J	CHIP R 8.2K J 1/10W		
R8			RK73FB2A224J	CHIP R 220K J 1/10W		
R9			RK73FB2A474J	CHIP R 470K J 1/10W		
R10			RK73FB2A153J	CHIP R 15K J 1/10W		
R11			RK73FB2A562J	CHIP R 5.6K J 1/10W		
R12			RK73FB2A184J	CHIP R 180K J 1/10W		
R13			RK73FB2A224J	CHIP R 220K J 1/10W		
R14			RK73FB2A474J	CHIP R 470K J 1/10W		
D1			1SS184	CHIP DIODE		
D2			1SS181	CHIP DIODE		
IC1			NJM4558M	IC (OP AMP X2)		
Q1			2SC2712(Y)	CHIP TRANSISTOR		
SQUELCH CONTROL (X59-3200-00)						
C1			CK73FB1H102K	CHIP C 1000PF K		
-			E23-0471-05	TERMINAL		
R1			RK73FB2A103J	CHIP R 10K J 1/10W		
R2			RK73FB2A223J	CHIP R 22K J 1/10W		
R3			RK73FB2A682J	CHIP R 6.8K J 1/10W		
R4			RK73FB2A474J	CHIP R 470K J 1/10W		

R3		RK73FB2A6B2J	CHIP R	6.8K	J	1/10W
R4		RK73FB2A474J	CHIP R	470K	J	1/10W
R5		RK73FB2A472J	CHIP R	4.7K	J	1/10W
R6		RK73FB2A332J	CHIP R	3.3K	J	1/10W
R7		RK73FB2A6B2J	CHIP R	6.8K	J	1/10W
R8		RK73FB2A332J	CHIP R	3.3K	J	1/10W
R9		RK73FB2A393J	CHIP R	39K	J	1/10W
R10		RK73FB2A472J	CHIP R	4.7K	J	1/10W
R11		R92-0670-05	CHIP R	0.0HM		
D1		1SS184	CHIP DIODE			
Q1		2SC2712(Y)	CHIP TRANSISTOR			
Q2	.3	2SC3295(B)	CHIP TRANSISTOR			
Q4		2SC2712(BL)	CHIP TRANSISTOR			
Q5		2SC2712(Y)	CHIP TRANSISTOR			
Q6		2SC2712(BL)	CHIP TRANSISTOR			
COMPOSITE UNIT (RX-TX) (X60-3000-XX) -11 : K,M1,M2 -51 : T,W						
C1		CC73FCH1H330J	CHIP C	33PF	J	
C2		CC73FCH1H120J	CHIP C	12PF	J	
C3		CC73FCH1H030C	CHIP C	3.0PF	C	
C4		CC73FCH1H220J	CHIP C	22PF	J	
C5		CC73FCH1H150J	CHIP C	15PF	J	
C6	-10	CK73FB1H102K	CHIP C	1000PF	K	
C11		CC73FCH1H180J	CHIP C	18PF	J	
C12		CC73FCH1H010C	CHIP C	1.0PF	C	
C13		CC73FCH1H020C	CHIP C	2.0PF	C	
C14		CK73FB1H102K	CHIP C	1000PF	K	
C15		CC73FCH1H070D	CHIP C	7.0PF	D	
C16		CC73FCH1H080D	CHIP C	8.0PF	D	
C17		CC73FCH1H01J	CHIP C	100PF	J	
C18		CK73FB1H102K	CHIP C	1000PF	K	
C19	.20	CK73FB1H472K	CHIP C	4700PF	K	

E: Scandinavia & Europe K: USA P: Canada
 U: PX(Far East, Hawaii) T: England M: Other Areas
 UE: AAFES(Europe) X: Australia

TW-4100A : K1,M1,M2
 TW-4100E : T1,W1

⚠ indicates safety critical components.

TW-4100A/E

PARTS LIST

✕ New Parts

Parts without Parts No. are not supplied.

Les articles non mentionnés dans le Parts No. ne sont pas fournis.

Teile ohne Parts No. werden nicht geliefert.

Ref. No. 参照番号	Address 位置	New Parts 新	Parts No. 部品番号	Description 部品名 / 規格	Desti- nation 仕向	Re- marks 備考
C21 -23			CK73FB1H102K	CHIP C 1000PF K		
C24			CC73FCH1H300J	CHIP C 30PF J		
C25 ,26			CK73FB1H102K	CHIP C 1000PF K		
C27			CC73FCH1H100D	CHIP C 10PF D		
C28			CC73FCH1H030C	CHIP C 3.0PF C		
C29 -31			CK73FB1H102K	CHIP C 1000PF K		
C33			CK73FB1H102K	CHIP C 1000PF K		
C34			CC73FCH1H020C	CHIP C 2.0PF C		
C35			CC73FCH1H390J	CHIP C 39PF J		
C36 -42			CK73FB1H102K	CHIP C 1000PF K		
C44			CK73FB1H102K	CHIP C 1000PF K		
C45			CC73FCH1H060D	CHIP C 6.0PF D		
C46			CK73FB1H102K	CHIP C 1000PF K		
C47			CC73FCH1H240J	CHIP C 24PF J		
C48			CC73FCH1H560J	CHIP C 56PF J		
C49			CC73FCH1H01J	CHIP C 100PF J		
C50			CK73FB1H472K	CHIP C 4700PF K		
C51			CC73FCH1H390J	CHIP C 39PF J		
C52			CC73FCH1H220J	CHIP C 22PF J		
C53			CK73FB1H102K	CHIP C 1000PF K		

C51		CC73FCH1H220J	CHIP C	22PF	J
C52		CK73FB1H102K	CHIP C	1000PF	K
C53					
C54		CK73FB1H472K	CHIP C	4700PF	K
C55		CK73FB1H102K	CHIP C	1000PF	K
C56		CC73FCH1H680J	CHIP C	68PF	J
C57		CC73FCH1H101J	CHIP C	100PF	J
C58		CC73FCH1H121J	CHIP C	120PF	J
C59		CQ92M1H103K	MYLAR	0.010UF	K
C60		CK73FB1H472K	CHIP C	4700PF	K
C61	-63	CK73FB1H102K	CHIP C	1000PF	K
C64	-66	CF92V1H104J	MF	0.10UF	J
C67		CK73FB1H102K	CHIP C	1000PF	K
C68		C90-0480-05	ELECTR0	47UF	10WV
C69		* C90-2044-05	ELECTR0	1UF	25WV
C70		* C90-2043-05	ELECTR0	0.68UF	25WV
C71		CE04W1A470M	ELECTR0	47UF	10WV
C72		C90-0824-05	ELECTR0	1UF	50WV
C73		C90-0478-05	ELECTR0	10UF	16WV
C74		CK73FB1H102K	CHIP C	1000PF	K
C75		CQ92M1H152K	MYLAR	1500PF	K
C76		C90-0478-05	ELECTR0	10UF	16WV
C77		* C90-2042-05	ELECTR0	0.1UF	50WV
C78		CC73FCH1H101J	CHIP C	100PF	J
C79	.80	CK73FB1H102K	CHIP C	1000PF	K
C81		C90-0824-05	ELECTR0	1UF	50WV
C82		CQ92M1H333K	MYLAR	0.033UF	K
C83		CQ92M1H563K	MYLAR	0.056UF	K
C84		CQ92M1H333K	MYLAR	0.033UF	K
C85		CQ92M1H473K	MYLAR	0.047UF	K
C86		CE04W1A470M	ELECTR0	47UF	10WV
C87		CE04W1C470M	ELECTR0	47UF	16WV
C88		CK73FB1H102K	CHIP C	1000PF	K
C89		CE04CW1H010M	ELECTR0	1.0UF	50WV
C90		CK73FB1H102K	CHIP C	1000PF	K
C92	.93	C90-0824-05	ELECTR0	1UF	50WV
C94	.95	CK73FB1H102K	CHIP C	1000PF	K
C96		* C90-2044-05	ELECTR0	1UF	25WV

E: Scandinavia & Europe K: USA P: Canada
 U: PX(Far East, Hawaii) T: England M: Other Areas
 UE: AAFES(Europe) X: Australia

TW-4100A: K1,M1,M2
 TW-4100E: T1,W1

indicates safety critical components.

TW-4100A/E

PARTS LIST

× New Parts
 Parts without Parts No. are not supplied.
 Les articles non mentionnes dans le Parts No. ne sont pas fournis.
 Teile ohne Parts No. werden nicht geliefert.

Ref. No. 参照番号	Address 位置	New Parts 新	Parts No. 部品番号	Description 部品名 / 規格	Desti- nation 仕向	Re- marks 備考
C97			C90-0824-05	ELECTR0 1UF 50WV		
C98			C90-0820-05	ELECTR0 470UF 16WV		
C99 -101			CK73FB1H102K	CHIP C 1000PF K		
C102			C90-0824-05	ELECTR0 1UF 50WV		
C103			CK73EB1E393K	CHIP C 0.039UF K		
C104			C90-0480-05	ELECTR0 47UF 10WV		
C105			CK73FB1H102K	CHIP C 1000PF K		
C106			C90-0480-05	ELECTR0 47UF 10WV		
C107			CQ92M1H104K	MYLAR 0.10UF K		
C108			CE04W1C221M	ELECTR0 220UF 16WV		
C109			C90-0480-05	ELECTR0 47UF 10WV		
C110-118			CK73FB1H102K	CHIP C 1000PF K		
C119			C90-0481-05	ELECTR0 3.3UF 50WV		
C120-124			C90-0478-05	ELECTR0 10UF 16WV		

C110-118 C119 C120-124 C125	CK73FB1H102K C90-0481-05 C90-0478-05 CK73FB1H102K	ELECTRØ ELECTRØ CHIP C	3.3UF 10UF 1000PF	50WV 16WV K
C126 C127-130 C131 C132 C133	C90-0820-05 CK73FB1H102K CK73FB1H471K C90-0478-05 CK73FB1H471K	ELECTRØ CHIP C CHIP C ELECTRØ CHIP C	470UF 1000PF 470PF 10UF 470PF	16WV K K 16WV K
C134 C135 C136 C137, 138 C139	C90-0478-05 CC73ECH1H030C CC73ECH1H040C CK73EB1H471K CC73ECH1H060D	ELECTRØ CHIP C CHIP C CHIP C CHIP C	10UF 3.0PF 4.0PF 470PF 6.0PF	16WV C C K D
C140 C141 C142 C143 C144	CC73ECH1H040C CC45CH2H470J C90-0824-05 CK73FB1H102K CC73ECH1H0R5C	CHIP C CERAMIC ELECTRØ CHIP C CHIP C	4.0PF 47PF 1UF 1000PF 0.5PF	C J 50WV K C
C145 C146 C147 C147 C148-152	CC73ECH1H070D CM73F2H100D CC73ECH1H050C CC73ECH1H060D CK73FB1H471K	CHIP C CHIP C CHIP C CHIP C CHIP C	7.0PF 10PF 5.0PF 6.0PF 470PF	D D C D K
C153 C154 C155, 156 C157 C158-162	* C90-2045-05 C092M1H223K C90-0824-05 CED4W1H010M CK73FB1H102K	ELECTRØ MYLAR ELECTRØ ELECTRØ CHIP C	2.2UF 0.022UF 1UF 1.0UF 1000PF	25WV K 50WV 50WV K
C163 C164-186 C187 C188 C189	C90-0478-05 CK73FB1H102K CED4W1A470M CK73FB1H102K CED4CW1H010M	ELECTRØ CHIP C ELECTRØ CHIP C ELECTRØ	10UF 1000PF 47UF 1000PF 1.0UF	16WV K 10WV K 50WV
C190 C191 C192 C193 C194, 195	CC73FCH1H101J CC73FCH1H120J CED4CW1H010M CC73FCH1H080D CK73FB1H102K	CHIP C CHIP C ELECTRØ CHIP C CHIP C	100PF 12PF 1.0UF 8.0PF 1000PF	J J 50WV D K
C197-197 C200 C201-203 C204 C205	CK73FB1H102K CK73FB1H471K CK73FB1H102K CC73FCH1H101J CC73FCH1H330J	CHIP C CHIP C CHIP C CHIP C CHIP C	1000PF 470PF 1000PF 100PF 33PF	K K K J J

T1W1
K1M1M2

E: Scandinavia & Europe K: USA P: Canada
 U: PX(Far East, Hawaii) T: England M: Other Areas
 UE: AAFES(Europe) X: Australia

TW-4100A: K1,M1,M2
 TW-4100E: T1,W1

⚠ Indicates safety critical components

TW-4100A/E

PARTS LIST

* New Parts

Parts without Parts No. are not supplied.

Les articles non mentionnés dans le Parts No. ne sont pas fournis.

Teile ohne Parts No. werden nicht geliefert.

Ref. No. 参照番号	Address 位置	New Parts 新	Parts No. 部品番号	Description 部品名/規格	Desti- nation 仕向	Re- marks 備考
C206			CC73FCH1H220J	CHIP C 22PF J		
C207			CK73FB1H471K	CHIP C 470PF K		
C208			CK73FB1H102K	CHIP C 1000PF K		
C210-215			CK73FB1H102K	CHIP C 1000PF K		
C218, 219			CK73FB1H102K	CHIP C 1000PF K		
C220			CK45B1H471K	CERAMIC 470PF K		
C222			CC73FCH1H020C	CHIP C 2.0PF C		
C223			CC45CH1H020C	CERAMIC 2.0PF C		

C222	CC73FCH1H020C	CHIP C	2.0PF	C	
C223	CC45CH1H020C	CERAMIC	2.0PF	C	
C225	CK45B1H102K	CERAMIC	1000PF	K	
C226	CC73FCH1H070D	CHIP C	7.0PF	D	
C227	CK73FB1H102K	CHIP C	1000PF	K	
C228	CK45B1H102K	CERAMIC	1000PF	K	
C229	CK73FB1H102K	CHIP C	1000PF	K	
C300, 301	CK73FB1H102K	CHIP C	1000PF	K	T1W1
C302	C092M1H333K	MYLAR	0.033UF	K	T1W1
C303	CK73FB1H102K	CHIP C	1000PF	K	T1W1
C304	C092M1H392K	MYLAR	3900PF	K	T1W1
C305	CK73FB1H102K	CHIP C	1000PF	K	T1W1
C306	C90-0480-05	ELECTRØ	47UF	10WV	T1W1
C308	CK73FB1H102K	CHIP C	1000PF	K	T1W1
TC1, 2	C05-0329-05	TRIMMING CAP	(6PF)		
TC4	C05-0329-05	TRIMMING CAP	(6PF)		
-	E23-0453-05	TERMINAL			
-	E23-0454-04	TERMINAL	(ANT TERMINAL)		
CN1	E40-3238-05	PIN CONNECTØR	(3P)		
CN2	E40-3241-05	PIN CONNECTØR	(6P)		
CN3	E40-3239-05	PIN CONNECTØR	(4P)		
CN4	E40-3241-05	PIN CONNECTØR	(6P)		
CN5, 6	E40-3238-05	PIN CONNECTØR	(3P)		
CN7	E40-3237-05	PIN CONNECTØR	(2P)		
CN8	E40-3243-05	PIN CONNECTØR	(8P)		
CN9	E40-3237-05	PIN CONNECTØR	(2P)		
CN10-12	E40-3238-05	PIN CONNECTØR	(3P)		
CN13	E40-3237-05	PIN CONNECTØR	(2P)		
JP2	E31-1448-05	CONNECTING WIRE(5MM)			
JP7	E31-0381-05	CONNECTING WIRE(10MM)			
JP11	E31-1448-05	CONNECTING WIRE(5MM)			
PJ1 -4	E04-0154-05	RF COAX. JACK			
RP	E23-0465-05	TERMINAL	(TEST TERMINAL)		
TP1	E40-0211-05	PIN CONNECTØR	(2P)		
TP2	E23-0465-05	TERMINAL	(TEST TERMINAL)		
TP3	E40-0211-05	PIN CONNECTØR	(2P)		
TP4	E23-0465-05	TERMINAL	(TEST TERMINAL)		
TP5	E40-0211-05	PIN CONNECTØR	(2P)		
TP6	E23-0465-05	TERMINAL	(TEST TERMINAL)		
*	F20-0554-14	INSULATING BOARD			
*	F20-0555-14	INSULATING BOARD			
*	G02-0566-04	SPRING			
-	J30-0545-05	SPACER	(MCF)		
L1, 2	L31-0267-05	ANT COIL			
L3	* L30-0537-05	IFT	(30.825MHZ)		
L4	* L30-0539-05	IFT			

E: Scandinavia & Europe K: USA P: Canada
 U: PX(Far East, Hawaii) T: England M: Other Areas
 UE: AAFES(Europe) X: Australia

TW-4100A K1,M1,M2
 TW-4100E: T1,W1

▲ indicates safety critical components.

TW-4100A/E

PARTS LIST

× New Parts

Parts without Parts No. are not supplied.

Les articles non mentionnes dans le Parts No. ne sont pas fournis.

Teile ohne Parts No. werden nicht geliefert.

Ref. No.	Address	New Parts	Parts No.	Description	Desti-nation	Re-marks
参照番号	位置	新	部品番号	部品名 / 規格	仕 向	備考
L5			L34-1079-05	COIL (3.1.5T)		
L6			L34-1115-05	COIL		

L5		L34-1079-05	CØIL	(3.1.5T)	
L6		L34-1115-05	CØIL		
L8		L34-1115-05	CØIL		
L9		L40-2282-17	SMALL FIXED INDUCTØR(0.22UH)		
L10	*	L30-0538-05	IFT	(455KHZ)	
L11		L40-1011-14	SMALL FIXED INDUCTØR(100UH)		
L12	*	L30-0538-05	IFT	(455KHZ)	
L13	.14	L40-1021-12	SMALL FIXED INDUCTØR(1MH)		
L15		L15-0308-05	LOW-FREQUENCY CHØKE CØIL		
L16		L34-1040-05	CØIL	(4.1T)	
L17	*	L34-1174-05	CØIL	(3.9.5T)	
L18		L34-1079-05	CØIL	(3.1.5T)	
L20	.21	L34-1039-05	CØIL	(4.1.5T)	
L22	.23	L40-1092-14	SMALL FIXED INDUCTØR(1.0UH)		
L24		L79-0498-15	HELICAL BLØCK	(145MHZ)	T1W1
L24		L79-0499-05	HELICAL BLØCK	(146MHZ)	K1M1M2
L25	.26	L79-0690-05	HELICAL BLØCK	(435MHZ)	
L27	*	L71-0263-05	MCF	(30.825MHZ)	
L28	*	L72-0359-05	CERAMIC FILTER (CFV455E)		
L29		L79-0446-05	CERAMIC DISCRI (CFY455S)		
L30		L34-0890-05	TUNING CØIL		
L31		L40-1072-80	CHIP INDUCTØR	(10NH)	
X1	*	L77-1312-05	CRYSTAL RESØNATOR(30.370MHZ)		
-		N35-3004-46	BINDING HEAD MACHINE SCREW		
-		R92-0150-05	JUMPER REST	Ø 8MM	
-		R92-1061-05	JUMPER REST	Ø 8MM	
R1	.2	RK73FB2A333J	CHIP R	33K	J 1/10W
R3		RK73FB2A274J	CHIP R	270K	J 1/10W
R4	-6	RK73FB2A470J	CHIP R	47	J 1/10W
R7		RK73FB2A152J	CHIP R	1.5K	J 1/10W
R8		RK73FB2A473J	CHIP R	47K	J 1/10W
R9		R90-0228-05	MULTI-CØMP	10KX5	J 1/6W
R10		RK73FB2A470J	CHIP R	47	J 1/10W
R11		RD14BB2C473J	RD	47K	J 1/6W
R12		RK73FB2A271J	CHIP R	270	J 1/10W
R13		RK73FB2A560J	CHIP R	56	J 1/10W
R14		RK73FB2A153J	CHIP R	15K	J 1/10W
R15		RK73FB2A332J	CHIP R	3.3K	J 1/10W
R16		RK73FB2A823J	CHIP R	82K	J 1/10W
R17		RK73FB2A473J	CHIP R	47K	J 1/10W
R18		RK73FB2A101J	CHIP R	100	J 1/10W
R19		RK73FB2A102J	CHIP R	1.0K	J 1/10W
R20		RK73FB2A392J	CHIP R	3.9K	J 1/10W
R21		RK73FB2A333J	CHIP R	33K	J 1/10W
R22		RK73FB2A184J	CHIP R	180K	J 1/10W
R23		RK73FB2A470J	CHIP R	47	J 1/10W
R24		RK73FB2A394J	CHIP R	390K	J 1/10W
R25		RK73FB2A470J	CHIP R	47	J 1/10W
R26		RD14BB2C101J	RD	100	J 1/6W
R27		RD14BB2C2R2J	RD	2.2	J 1/6W
R28		RK73FB2A470J	CHIP R	47	J 1/10W
R29		RK73FB2A153J	CHIP R	15K	J 1/10W
R30		RK73FB2A223J	CHIP R	22K	J 1/10W
R31		RK73FB2A102J	CHIP R	1.0K	J 1/10W

E: Scandinavia & Europe K: USA P: Canada
 U: PX(Far East, Hawaii) T: England M: Other Areas
 UE: AAFES(Europe) X: Australia

TW-4100A : K1,M1,M2
 TW-4100E : T1,W1

⚠ indicates safety critical components.

TW-4100A/E

PARTS LIST

* New Parts

Parts without Parts No. are not supplied.

Les articles non mentionnés dans le Parts No. ne sont pas fournis.


Teile ohne Parts No. werden nicht geliefert.

Les de l'adresse pour les pièces de rechange
 Teile ohne Parts No. werden nicht geliefert.

Ref. No. 参照番号	Address 位置	New Parts 新	Parts No. 部品番号	Description 部品名/規格	Desti- nation 仕向	Re- marks 備考
R32			RK73FB2A271J	CHIP R 270 J 1/10W		
R33			RK73FB2A562J	CHIP R 5.6K J 1/10W		
R34			R92-0670-05	CHIP R 0 9HM		
R35			RK73FB2A374J	CHIP R 370K J 1/10W		
R36			RK73FB2A332J	CHIP R 3.3K J 1/10W		
R37			RK73FB2A333J	CHIP R 33K J 1/10W		
R38			RK73FB2A683J	CHIP R 68K J 1/10W		
R39			RK73FB2A182J	CHIP R 1.8K J 1/10W		
R40			RK73FB2A102J	CHIP R 1.0K J 1/10W		
R41			RK73FB2A222J	CHIP R 2.2K J 1/10W		
R42			RK73FB2A273J	CHIP R 27K J 1/10W		
R43			RK73FB2A181J	CHIP R 180 J 1/10W		
R44			R92-0670-05	CHIP R 0 9HM		
R45			RK73FB2A273J	CHIP R 27K J 1/10W		
R46			RK73FB2A562J	CHIP R 5.6K J 1/10W		
R47			RK73FB2A221J	CHIP R 220 J 1/10W		
R48			RK73FB2A102J	CHIP R 1.0K J 1/10W		
R49			RK73FB2A823J	CHIP R 82K J 1/10W		
R50			RK73FB2A183J	CHIP R 18K J 1/10W		
R51			RK73FB2A102J	CHIP R 1.0K J 1/10W		
R52			RK73FB2A101J	CHIP R 100 J 1/10W		
R53			RK73FB2A683J	CHIP R 68K J 1/10W		
R54			RK73FB2A822J	CHIP R 8.2K J 1/10W		
R55			RK73FB2A221J	CHIP R 220 J 1/10W		
R56			RK73FB2A104J	CHIP R 100K J 1/10W		
R57			RK73FB2A822J	CHIP R 8.2K J 1/10W		
R58			RK73FB2A103J	CHIP R 10K J 1/10W		
R59			RK73FB2A470J	CHIP R 47 J 1/10W		
R60			RK73FB2A681J	CHIP R 680 J 1/10W		
R61			RK73FB2A101J	CHIP R 100 J 1/10W		
R62			RD14CB2C2R2J	RD 2.2 J 1/6W		
R63			RK73FB2A473J	CHIP R 47K J 1/10W		
R64			RK73FB2A823J	CHIP R 82K J 1/10W		
R65			RK73FB2A473J	CHIP R 47K J 1/10W		
R66	-71		RK73FB2A223J	CHIP R 22K J 1/10W		
R72	-77		RK73FB2A102J	CHIP R 1.0K J 1/10W		
R78	-81		RK73FB2A473J	CHIP R 47K J 1/10W		
RB2			RD14DB2H151J	SMALL-RD 150 J 1/2W		
RB3			RK73FB2A562J	CHIP R 5.6K J 1/10W		
RB4			RK73FB2A272J	CHIP R 2.7K J 1/10W		
RB5			RK73FB2A333J	CHIP R 33K J 1/10W		
RB6			RK73FB2A152J	CHIP R 1.5K J 1/10W		
RB7			RK73FB2A473J	CHIP R 47K J 1/10W		
RB8			RK73FB2A2R2J	CHIP R 2.2 J 1/10W		
RB9			RK73FB2A220J	CHIP R 22 J 1/10W		
R90			RK73FB2A471J	CHIP R 470 J 1/10W		
R91			RK73FB2A103J	CHIP R 10K J 1/10W		
R96			RK73FB2A473J	CHIP R 47K J 1/10W		
R97			RK73FB2A103J	CHIP R 10K J 1/10W		
R98			RK73FB2A271J	CHIP R 270 J 1/10W		
R99			RK73FB2A223J	CHIP R 22K J 1/10W		
R100			RK73FB2A372J	CHIP R 3.7K J 1/10W		
R101			RK73FB2A822J	CHIP R 8.2K J 1/10W		
R102			RK73FB2A222J	CHIP R 2.2K J 1/10W		
R103			R92-0670-05	CHIP R 0 9HM		

E: Scandinavia & Europe K: USA P: Canada
 U: PX(Far East, Hawaii) T: England M: Other Areas
 UE: AAFES(Europe) X: Australia

TW-4100A : K1,M1,M2
 TW-4100E : T1,W1

 indicates safety critical components.

PARTS LIST

* New Parts

Parts without Parts No. are not supplied.


Les articles non mentionnés dans le Parts No. ne sont pas fournis.

Teile ohne Parts No. werden nicht geliefert.

Ref. No. 参照番号	Address 位置	New Parts 新	Parts No. 部品番号	Description 部品名 / 規格	Desti- nation 仕 向	Re- marks 備考
R104			RK73FB2A473J	CHIP R 47K J 1/10W		
R300			RK73FB2A103J	CHIP R 10K J 1/10W	T1W1	
R301			RK73FB2A123J	CHIP R 12K J 1/10W	T1W1	
R302			RK73FB2A473J	CHIP R 47K J 1/10W	T1W1	
R303			RK73FB2A123J	CHIP R 12K J 1/10W	T1W1	
R304			RK73FB2A913J	CHIP R 91K J 1/10W	T1W1	
R305			RK73FB2A472J	CHIP R 4.7K J 1/10W	T1W1	
R306			RK73FB2A271J	CHIP R 270 J 1/10W	T1W1	
VR1			R12-3445-05	TRIMMING P8T. (47K)		
VR2			R12-3444-05	TRIMMING P8T. (10K)		
VR3			R12-5419-05	TRIMMING P8T. (220K)		
VR4			R12-3451-05	TRIMMING P8T. (22K)		
VR5			R12-3445-05	TRIMMING P8T. (47K)		
VR6			R12-0418-05	TRIMMING P8T. (100)		
VR10			R12-3444-05	TRIMMING P8T. (10K)	T1W1	
VR11			R12-3451-05	TRIMMING P8T. (22K)	T1W1	
D1 -4			1S1587	DIODE		
D5 +6			1N60PSPA	DIODE		
D7			1S1555	DIODE		
D8 +9			DAP202(K)	CHIP DIODE		
D10			U15B	DIODE		
D11			UM9401	DIODE		
D12			M1308	DIODE		
D13			1S101	DIODE		
D14			1S1587	DIODE		
D15			1S133	DIODE		
D16			MTZ6.2JC	ZENER DIODE		
D17			1S1555	DIODE		
D20			MTZ5.6JC	ZENER DIODE		
D21 +22			1S1555	DIODE	T1W1	
Q1			3SK184(S)	CHIP FET		
Q2			3SK184(R)	CHIP FET		
Q3 +4			2SC2714(Y)	CHIP TRANSISTOR		
Q5			DTC114EK	DIGITAL TRANSISTOR		
Q6			3SK184(S)	CHIP FET		
Q7			2SK125	FET		
Q8			3SK184(R)	CHIP FET		
Q9			DTC114EK	DIGITAL TRANSISTOR		
Q10			TA7761P	IC(FM IF)		
Q11			2SC2712(Y)	CHIP TRANSISTOR		
Q12			DTC114EK	DIGITAL TRANSISTOR		
Q13			2SC1775(E)	TRANSISTOR		
Q14			2SC2712(Y)	CHIP TRANSISTOR		
Q15			UPC7808BH	IC(VOLTAGE REGULATOR/ +8V)		
Q16			UPC1242H	IC		
Q17 -22			2SB69B	TRANSISTOR		
Q23		*	TA7B	TRANSISTOR ARRAY		
Q25			2SC2712(Y)	CHIP TRANSISTOR		
Q26 -32			DTC114EK	DIGITAL TRANSISTOR		
Q33			TC40H032F	IC		
Q34			2SC2712(Y)	CHIP TRANSISTOR		
Q35			DTC114EK	DIGITAL TRANSISTOR		
Q50			NJMS55M	IC(TIMER)	T1W1	
TH1			112-202-2	THERMISTER (2k)		

E: Scandinavia & Europe K: USA P: Canada
 U: PX(Far East, Hawaii) T: England M: Other Areas
 UE: AAFES(Europe) X: Australia

TW-4100A : K1,M1,M2
 TW-4100E : T1,W1

 indicates safety critical components.

TW-4100A/E

PARTS LIST

* New Parts

Parts without Parts No. are not supplied.

Les articles non mentionnés dans le Parts No. ne sont pas fournis.

Teile ohne Parts No. werden nicht geliefert.

Ref. No.	Address	New Parts	Parts No.	Description	Destination	Remarks
参照番号	位置	新	部品番号	部品名/規格	仕向	備考
TH2		*	112-502-2	THERMISTER (5K)		
TH3		*	112-203-2	THERMISTER (20K)		
-		*	X59-1010-10	MODULE UNIT(MIC AMP,S METER)		
-		*	X59-1020-10	MODULE UNIT(ALERT VACANT CH)		
-		*	X59-1030-10	MODULE UNIT(CENTER DETECT)		
-		*	X59-3190-00	MODULE UNIT(MIC AMP)		
-		*	X59-3200-00	MODULE UNIT(SQ CONTRBL)		
COMPOSITE UNIT (PLL-TX) (X60-3010-XX) -01 : M1,T,W -11 : K,M2						
C2			CK73FF1E104Z	CHIP C 0.10UF Z		
C3			CK73FB1H102K	CHIP C 1000PF K		
C4			CC73ECH1H0R5C	CHIP C 0.5PF C		
C5			CC73ECH1H270J	CHIP C 27PF J		
C6	.7		CK73FB1H102K	CHIP C 1000PF K		
C8			CC73ECH1H010C	CHIP C 1.0PF C		
C9			CM73F2H390J	CHIP C 39PF J		
C10	-12		CK73FB1H102K	CHIP C 1000PF K		
C13			CC73ECH1H180J	CHIP C 18PF J		
C14			CK45B2H102K	CERAMIC 1000PF K		
C15			CC73ECH1H120J	CHIP C 12PF J		
C16			CK73EB1H102K	CHIP C 1000PF K		
C17			CK73FB1H102K	CHIP C 1000PF K		
C18			CC73FCH1H120J	CHIP C 12PF J		
C19			CC73ECH1H100D	CHIP C 10PF D		
C20			CK73FB1H102K	CHIP C 1000PF K		
C21			CC73FCH1H470J	CHIP C 47PF J		
C22			CK73FB1H102K	CHIP C 1000PF K		
C23			C90-0478-05	ELECTR& 10UF 16WV		
C24			CC45CH1H100D	CERAMIC 10PF D		
C25			C90-0478-05	ELECTR& 10UF 16WV		
C26	-29		CK73FB1H102K	CHIP C 1000PF K		
C30			CC73FCH1H270J	CHIP C 27PF J		
C31			CC73FCH1H240J	CHIP C 24PF J		
C32	.33		CK73FB1H102K	CHIP C 1000PF K		
C34			CC73FCH1H270J	CHIP C 27PF J		
C35	-37		CK73FB1H102K	CHIP C 1000PF K		
C38			CC73FCH1H680J	CHIP C 68PF J		
C40			C90-0868-05	ELECTR& 10UF 16WV		
C41			CK73FB1H102K	CHIP C 1000PF K		
C42			CK73FB1H471K	CHIP C 470PF K		
C43			CK73FB1H102K	CHIP C 1000PF K		
C44			CK73FB1H471K	CHIP C 470PF K		
C45	-48		CK73FB1H102K	CHIP C 1000PF K		
C49			CC73FCH1H040C	CHIP C 4.0PF C		
C50	.51		CK73FB1H102K	CHIP C 1000PF K		
C52			CC73FCH1H150J	CHIP C 15PF J		
C53	.54		CK73FB1H102K	CHIP C 1000PF K		
C56	-58		CK73FB1H102K	CHIP C 1000PF K		
C59			CK73FF1E104Z	CHIP C 0.10UF Z		
C60			CC73FCH1H030C	CHIP C 3.0PF C		
C61	-63		CK73FB1H102K	CHIP C 1000PF K		
C64			CK73FB1H472K	CHIP C 4700PF K		
C65			CK73FF1E104Z	CHIP C 0.10UF Z		
C66	-72		CK73FB1H102K	CHIP C 1000PF K		
C73			CC45CH1H220J	CERAMIC 22PF J		

C73	CC45CH1H220J	CERAMIC	22PF	J
-----	--------------	---------	------	---

TW-4100A : K1,M1,M2
TW-4100F : T1,W1

E: Scandinavia & Europe K: USA P: Canada
U: PX(Far East, Hawaii) T: England M: Other Areas
UE: AAFES(Europe) X: Australia

△ indicates safety critical components

36

TW-4100A/E

PARTS LIST

※ New Parts

Parts without Parts No. are not supplied.

Les articles non mentionnés dans le Parts No. ne sont pas fournis.

Teile ohne Parts No. werden nicht geliefert.

Ref. No. 参照番号	Address 位置	New Parts 新	Parts No. 部品番号	Description 部品名 / 規格	Desti- nation 仕 向	Re- marks 備考
C74			CK73FB1H102K	CHIP C 1000PF K		
C75			CS15E1VR22M	TANTAL 0.22UF 35WV		
C76			CK73FB1H102K	CHIP C 1000PF K		
C77			CE04CW1C470M	ELECTR0 47UF 16WV		
C78			CC45CH1H180J	CERAMIC 18PF J		
C79 .80			CK73FB1H102K	CHIP C 1000PF K		
CB1			CC73FCH1H010C	CHIP C 1.0PF C		
CB2			C90-0896-05	ELECTR0 47UF 16WV		
CB3			CC73FCH1H100D	CHIP C 10PF D		
CB4 .85			CK73FB1H102K	CHIP C 1000PF K		
CB6			CC73FCH1H101J	CHIP C 100PF J		
CB7 -89			CK73FB1H102K	CHIP C 1000PF K		
C90			C90-0822-05	ELECTR0 47UF 16WV		
C91 -93			CK73FB1H102K	CHIP C 1000PF K		
C94			CC73ECH1H200J	CHIP C 20PF J		
C95 -97			CK73FB1H102K	CHIP C 1000PF K		
C98			C90-0896-05	ELECTR0 47UF 16WV		
C99			CK73FB1H102K	CHIP C 1000PF K		
C100			CC73FCH1H120J	CHIP C 12PF J		
C101			CK73FB1H102K	CHIP C 1000PF K		
C102			CC73FCH1H221J	CHIP C 220PF J		
C103,104			CC73FCH1H101J	CHIP C 100PF J		
C105,106			CK73FB1H102K	CHIP C 1000PF K		
C107			CC73FCH1H101J	CHIP C 100PF J		
C108			CK73FB1H102K	CHIP C 1000PF K		
C109			CC45CH1H1R5C	CERAMIC 1.5PF C		
C110			CK73FB1H102K	CHIP C 1000PF K		
C111			C90-0822-05	ELECTR0 47UF 16WV		
C112-114			CK73FB1H102K	CHIP C 1000PF K		
C115			CC73FCH1H330J	CHIP C 33PF J		
C116			C90-0896-05	ELECTR0 47UF 16WV		
C117			CK73FB1H472K	CHIP C 4700PF K		
C118			CE04CW1H010M	ELECTR0 1.0UF 50WV		
C119			CC73FCH1H060D	CHIP C 6.0PF D		
C120			C90-0824-05	ELECTR0 1UF 50WV		
C121			CS15E1VR1M	TANTAL 0.1UF 35WV		
C122			CK73FB1H102K	CHIP C 1000PF K		
C123			C90-0478-05	ELECTR0 10UF 16WV		
C124,125			CK73FB1H102K	CHIP C 1000PF K		
C126			CE04CW1H010M	ELECTR0 1.0UF 50WV		
C127,128			CK73FB1H102K	CHIP C 1000PF K		
C129			CE04CW1H2R2M	ELECTR0 2.2UF 50WV		
C130			CK73FB1H102K	CHIP C 1000PF K		
C131			C90-0822-05	ELECTR0 47UF 16WV		
C132			C90-2011-05	ELECTR0 4.7UF 25WV		
C133			CK73FB1H102K	CHIP C 1000PF K		
C134			C092M1H563K	MYLAR 0.056UF K		
C135			CC73FCH1H470J	CHIP C 47PF J		
C137			CE04W1C101M	ELECTR0 100UF 16WV		
C138			CC73ECH1H080D	CHIP C 8.0PF D		

C138		CC73ECH1H080D	CHIP C	8.0PF	D
C139, 140		CK73FB1H102K	CHIP C	1000PF	K
C141		CK73FB1H471K	CHIP C	470PF	K
C142-145		CK73FB1H102K	CHIP C	1000PF	K
C146		CE04CWIC220M	ELECTR8	22UF	16WV
C147		CE04EW1E470M	ELECTR8	47UF	25WV

E: Scandinavia & Europe K: USA P: Canada
 U: PX(Far East, Hawaii) T: England M: Other Areas
 UE: AAFES(Europe) X: Australia

TW-4100A : K1,M1,M2
 TW-4100E : T1,W1

⚠ Indicates safety critical components

37

TW-4100A/E

PARTS LIST

× New Parts

Parts without Parts No. are not supplied.

Les articles non mentionnés dans le Parts No. ne sont pas fournis.


Teile ohne Parts No. werden nicht geliefert.

Ref. No. 参照番号	Address 位置	New Parts 新	Parts No. 部品番号	Description 部品名 / 規格	Desti- nation 仕向	Re- marks 備考
C148			C092M1H223K	MYLAR 0.022UF K		
C149			CS15E1VR22M	TANTAL 0.22UF 35WV		
C150-152			CK73FB1H102K	CHIP C 1000PF K		
C154			CC73FCH1H070D	CHIP C 7.0PF D		
C155, 156			CK73FB1H102K	CHIP C 1000PF K		
C159			CK73FB1H102K	CHIP C 1000PF K		
C160			C90-0824-05	ELECTR8 1UF 50WV		
C161-165			CK73FB1H102K	CHIP C 1000PF K		
C167			CC73FCH1H020C	CHIP C 2.0PF C		
C168-182			CK73FB1H102K	CHIP C 1000PF K		
C183			CK73FB1H471K	CHIP C 470PF K		
C184-196			CK73FB1H102K	CHIP C 1000PF K		
C197			CC73FCH1H020C	CHIP C 2.0PF C		
C198-200			CK73FB1H102K	CHIP C 1000PF K		
C201			CK73FB1H471K	CHIP C 470PF K		
C202, 203			CK73FB1H102K	CHIP C 1000PF K		
C204			CC73FCH1H120J	CHIP C 12PF J		
C205			CC45SL1H101J	CERAMIC 100PF J		
C206			CC73FCH1H100D	CHIP C 10PF D		
C208-211			CS15E1C4R7M	TANTAL 4.7UF 16WV		
C212			CC45CH1H330J	CERAMIC 33PF J		
C213			CC73ECH1H330J	CHIP C 33PF J		
C214			CC45CH1H330J	CERAMIC 33PF J		
C215			CK45B1H102K	CERAMIC 1000PF K		
C216			C90-2055-05	ELECTR8 3.3UF 16WV		
C217			CE04EW1E101M	ELECTR8 100UF 25WV		
TC1			C05-0030-15	TRIMMING CAP (20PF)		
TC2 ,3			C05-0062-05	TRIMMING CAP (6PF)		
TC4			C05-0319-05	TRIMMING CAP (10PF)		
-			E23-0453-05	TERMINAL		
-			E23-0454-04	TERMINAL (ANT TERMINAL)		
-			E23-0463-05	GND LUG		
CN1			E40-5066-05	PIN CONNECTOR (EH 9P)		
CN2			E40-3240-05	PIN CONNECTOR (EH 5P)		
CN3			E40-5068-05	PIN CONNECTOR (EH 11P)		
CN4			E40-3242-05	PIN CONNECTOR (EH 7P)		
CN5 ,6			E40-3238-05	PIN CONNECTOR (EH 3P)		
PJ1		*	E11-0425-05	PHONE JACK (3.5D)		
TP1 ,2			E23-0465-05	TERMINAL (TEST TERMINAL)		
TP4			E23-0465-05	TERMINAL (TEST TERMINAL)		
-		*	G13-0840-04	CUSHION (TERMINAL SW)		
-			J31-0503-05	BEAD		

-		J31-0503-05	BEAD	
L1	*	L34-1184-05	CØIL (3.4.5R)	
L2		L40-1092-14	SMALL FIXED INDUCTØR(1UH)	
L3		L34-0742-05	CØIL (3.5N)	
L4	*	L34-1170-05	CØIL (3.9.5R)	
L5		L34-0452-05	CØIL (3.6N)	
L6		L40-1092-14	SMALL FIXED INDUCTØR(1UH)	
L7		L34-0895-05	CØIL (3.6N)	
L8		L34-1174-05	CØIL (3.9.5N)	
L9		L34-0499-05	CØIL (3.4N)	
L10		L34-1158-05	CØIL (3.4.5R)	

E: Scandinavia & Europe K: USA P: Canada
 U: PX(Far East, Hawaii) T: England M: Other Areas
 UE: AAFES(Europe) X: Australia

TW-4100A : K1,M1,M2
 TW-4100E T1,W1

 indicates safety critical components.

TW-4100A/E

PARTS LIST

* New Parts

Parts without Parts No. are not supplied.

Les articles non mentionnes dans le Parts No. ne sont pas fournis.

Teile ohne Parts No. werden nicht geliefert.

Ref. No. 参照番号	Address 位置	New Parts 新	Parts No. 部品番号	Description 部品名 / 規格	Desti- nation 仕 向	Re- marks 備考
L11 -13		*	L34-1177-05	CØIL (3.4.5N)		
L14			L34-1059-05	CØIL (3.2.5R)		
L15			L34-1036-05	CØIL (3.1.5N)		
L16			L34-1083-05	CØIL (3.1N)		
L17		*	L34-1175-05	CØIL (3.1.5R)		
L18			L34-1058-05	CØIL (3.2.5N)		
L19			L34-1158-05	CØIL (3.4.5R)		
L23			L92-0110-05	BEAD CORE		
X1		*	L77-1311-05	CRYSTAL RESONATOR(12.0MHZ)		
JP3			R92-1061-05	JUMPER REST 0 ØHM		
R1			RK73FB2A272J	CHIP R 2.7K J 1/10W		
R2			RD14DB2H151J	SMALL-RD 150 J 1/2W		
R3			RD14DB2H330J	SMALL-RD 33 J 1/2W		
R4			RK73FB2A470J	CHIP R 47 J 1/10W		
R5			RK73FB2A152J	CHIP R 1.5K J 1/10W		
R6			RK73FB2A121J	CHIP R 120 J 1/10W		
R7			RK73FB2A391J	CHIP R 390 J 1/10W		
R8			RD14BB2C822J	RD 8.2K J 1/6W		
R9			RK73FB2A151J	CHIP R 150 J 1/10W		
R10			RK73FB2A470J	CHIP R 47 J 1/10W		
R11			RK73FB2A332J	CHIP R 3.3K J 1/10W		
R12			RK73FB2A681J	CHIP R 680 J 1/10W		
R14			RD14DB2H560J	SMALL-RD 56 J 1/2W		
R15			RD14BB2C152J	RD 1.5K J 1/6W		
R16			RD14BB2C470J	RD 47 J 1/6W		
R17			RK73FB2A222J	CHIP R 2.2K J 1/10W		
R18			RD14BB2C471J	RD 470 J 1/6W		
R19			RK73FB2A822J	CHIP R 8.2K J 1/10W		
R20			RD14BB2C101J	RD 100 J 1/6W		
R21			RK73FB2A470J	CHIP R 47 J 1/10W		
R22			RD14BB2C472J	RD 4.7K J 1/6W		
R23			RK73FB2A102J	CHIP R 1.0K J 1/10W		
R24			RK73FB2A223J	CHIP R 22K J 1/10W		
R25			RK73FB2A183J	CHIP R 18K J 1/10W		
R26			RD14BB2C223J	RD 22K J 1/6W		
R27			RK73FB2A102J	CHIP R 1.0K J 1/10W		
R28			RK73FB2A103J	CHIP R 10K J 1/10W		
R29			RK73FB2A152J	CHIP R 1.5K J 1/10W		
R30			RK73FB2A102J	CHIP R 1.0K J 1/10W		

R29		RK73FB2A102J	CHIP R	1.0K	J	1/10W
R30		RK73FB2A102J	CHIP R			
R31		RK73FB2A222J	CHIP R	2.2K	J	1/10W
R32		RK73FB2A123J	CHIP R	12K	J	1/10W
R33		RK73FB2A103J	CHIP R	10K	J	1/10W
R34		RK73FB2A152J	CHIP R	1.5K	J	1/10W
R35		RK73FB2A821J	CHIP R	B20	J	1/10W
R36		RK73FB2A272J	CHIP R	2.7K	J	1/10W
R37		RK73FB2A562J	CHIP R	5.6K	J	1/10W
R38		RK73FB2A221J	CHIP R	220	J	1/10W
R39		RK73FB2A102J	CHIP R	1.0K	J	1/10W
R40		RK73FB2A562J	CHIP R	5.6K	J	1/10W
R41	.42	RK73FB2A101J	CHIP R	100	J	1/10W
R43		RK73FB2A333J	CHIP R	33K	J	1/10W
R44		RK73FB2A222J	CHIP R	2.2K	J	1/10W
R45		RK73FB2A823J	CHIP R	B2K	J	1/10W
R46		R92-0670-05	CHIP R	U NHM		

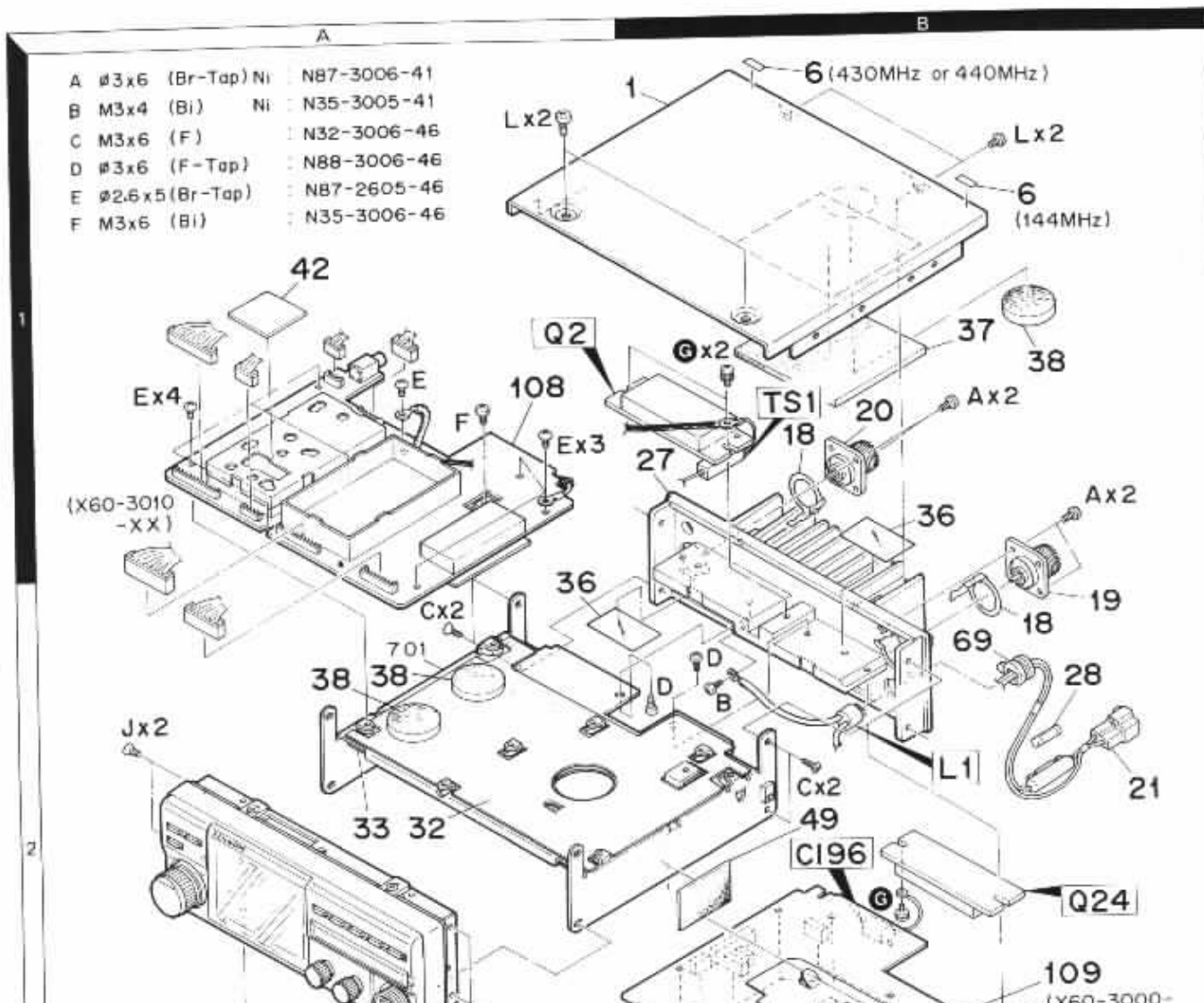
E: Scandinavia & Europe K: USA P: Canada
 U: PX(Far East, Hawaii) T: England M: Other Areas
 UE: AAFES(Europe) X: Australia

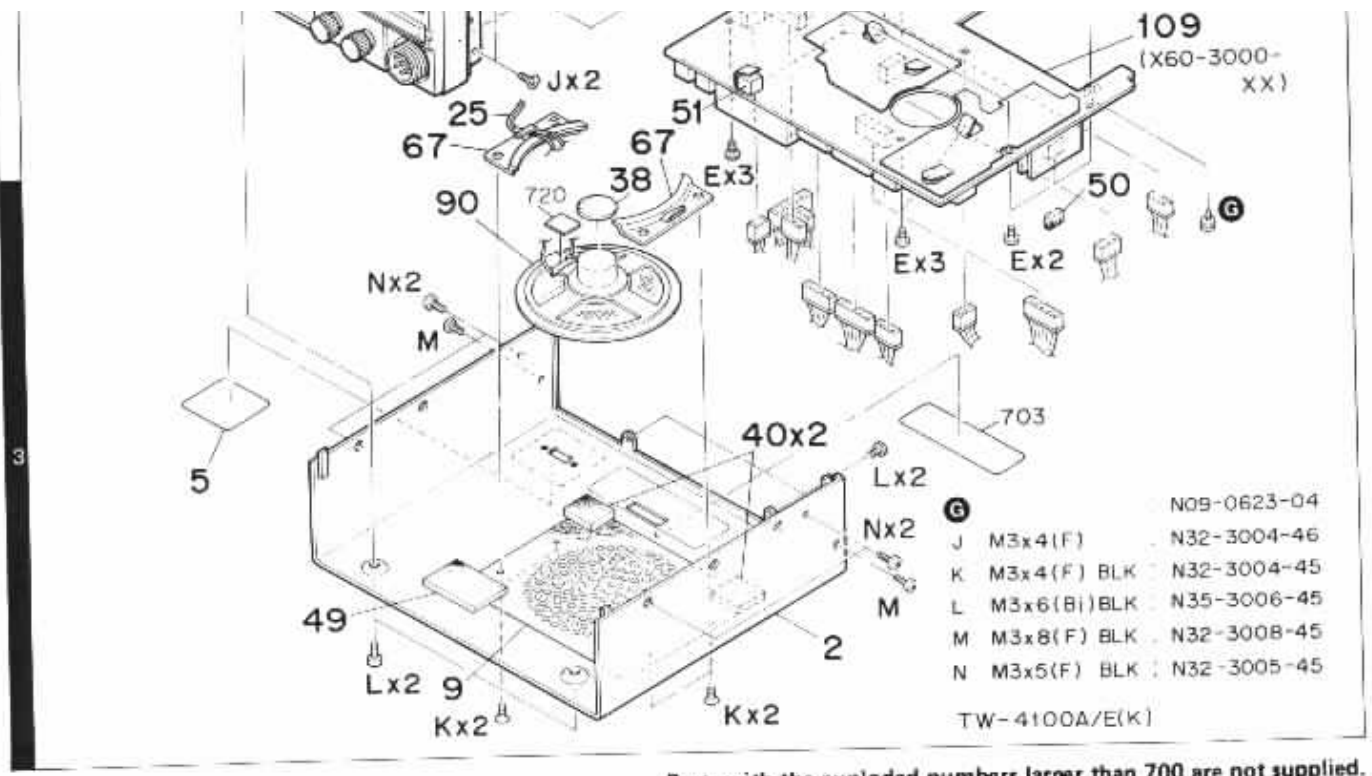
TW-4100A : K1,M1,M2
 TW-4100E : T1,W1

⚠ indicates safety critical components.

TW-4100A/E

EXPLODED VIEW



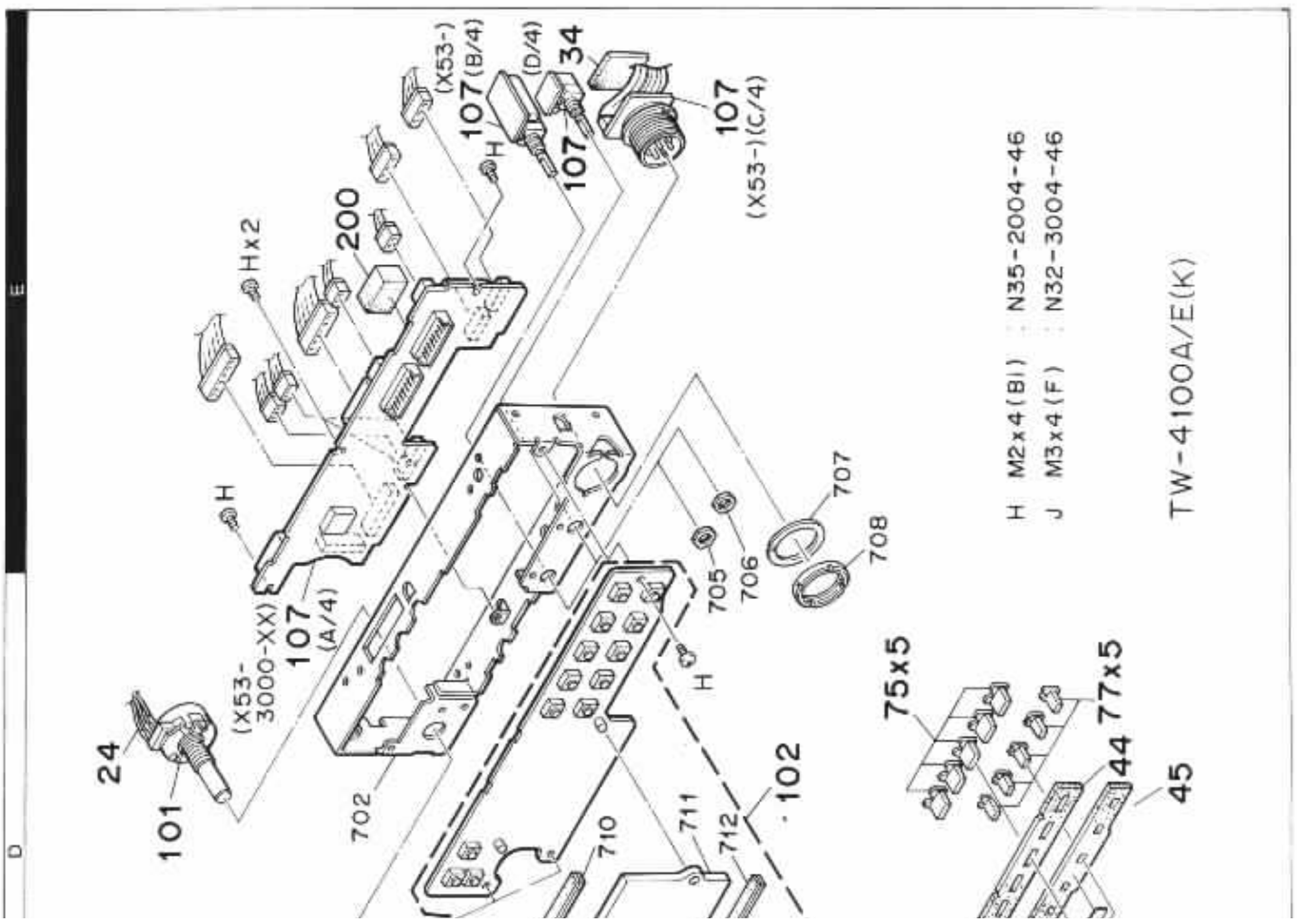


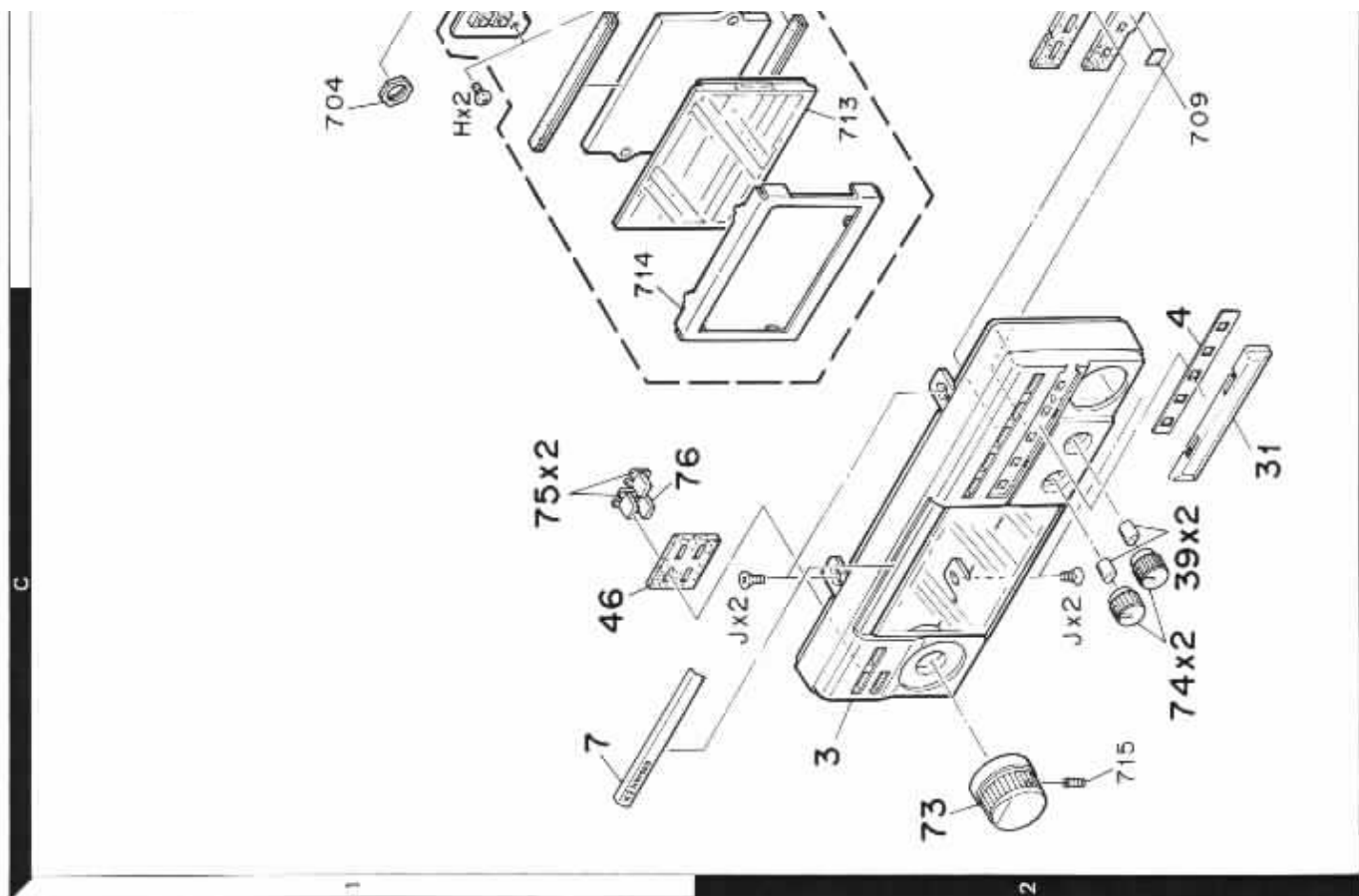
Parts with the exploded numbers larger than 700 are not supplied.

42

TW-4100A/E

EXPLODED VIEW

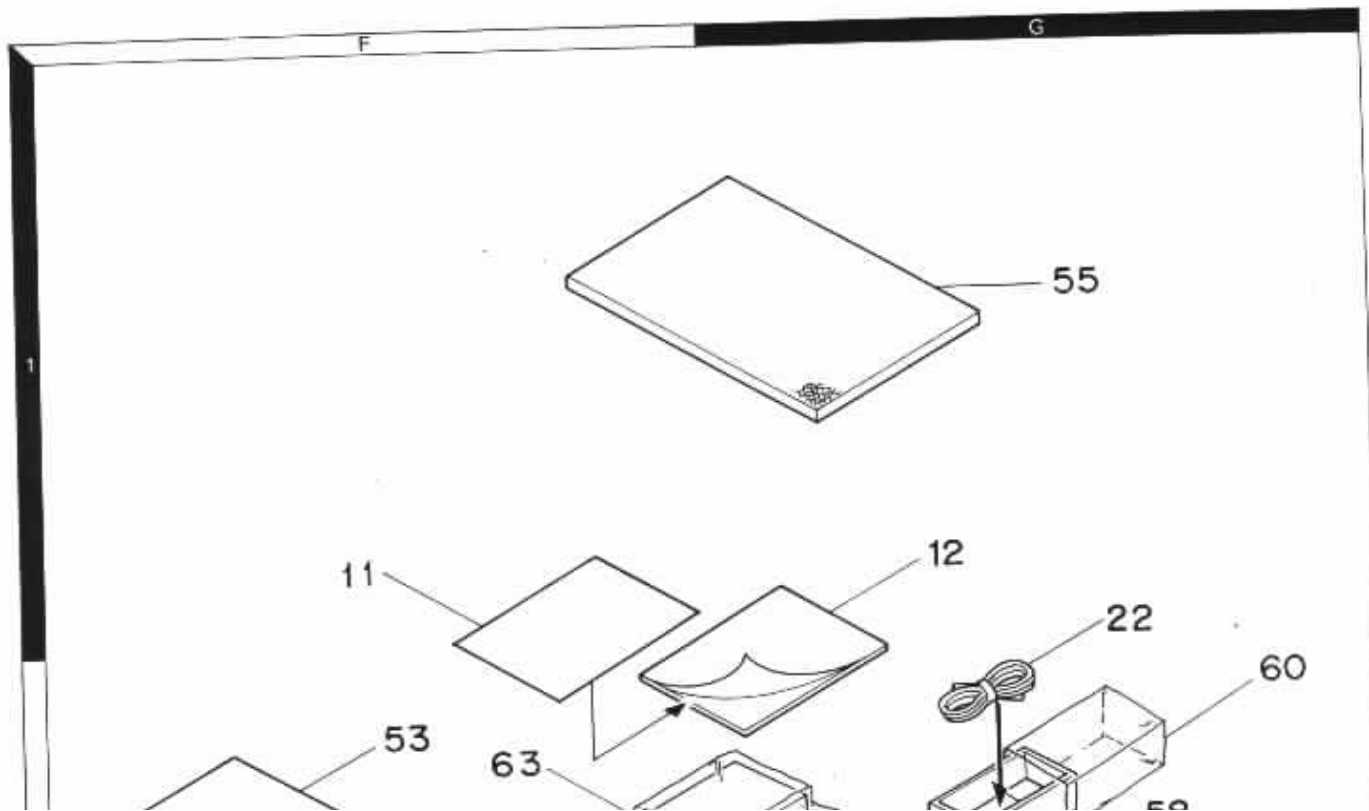


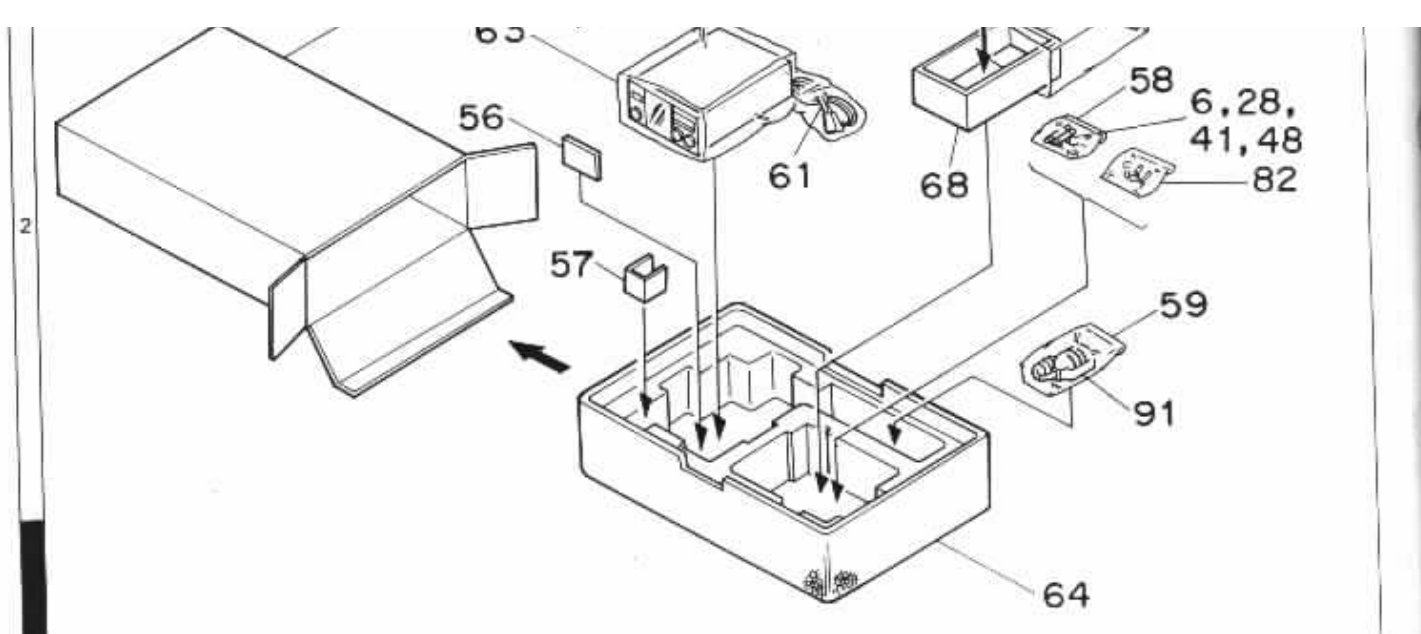


Parts with the exploded numbers larger than 700 are not supplied.

TW-4100A/E

PACKING





- Instruction manual (B50-8142-00)
- Item carton box (144/440)(H01-8020-03) : **K,M2**
- Item carton box (144/430)(H01-8021-03) : **M1**
- Item carton box (H01-8022-03) : **T,W**
- Packing fixture (Top)(H12-1345-04)
- Protection plate (MIC)(H13-0810-04)
- Protection plate (Rotary enc.)(H13-0811-04)
- Protection bag (Acsy)(H25-0029-04)
- Protection bag (MIC)(H25-0103-04)
- Protection bag (Mounting bracket)(H25-0105-04)
- Protection bag (DC cable)(H25-0117-04)
- Protection bag (Radio)(H25-0713-04)
- Polystyrene foamed fixture (H10-2613-02)

- Accessory**
- Label (144MHz, 430MHz)(B42-2438-04) : **M1,T,W**
 - Label (144MHz, 440MHz)(B42-2439-04) : **K,M2**
 - Warranty card (B46-0058-10) : **K**
 - DC cable ass'y (E30-2054-05)
 - Fuse (10A) (F05-1031-05)
 - Felt (TONE UNIT) (G10-0645-04)
 - Cushion (MODEM UNIT) (G13-0837-14)
 - Mounting bracket (J29-0414-22)
 - Screw set (Mounting bracket)(N99-0315-04)
 - Microphone (T91 0357-15) : **M1,M2,T,W**
 - Microphone (T91 0359-05) : **K**

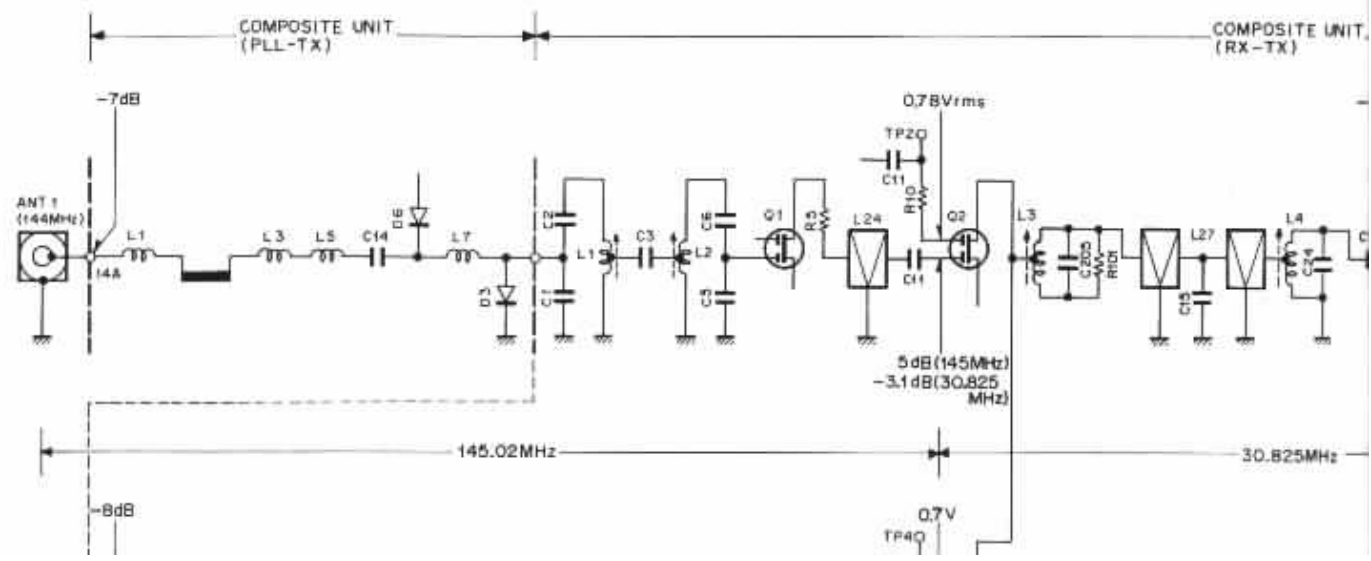
Parts with the exploded numbers larger than 700 are not supplied.

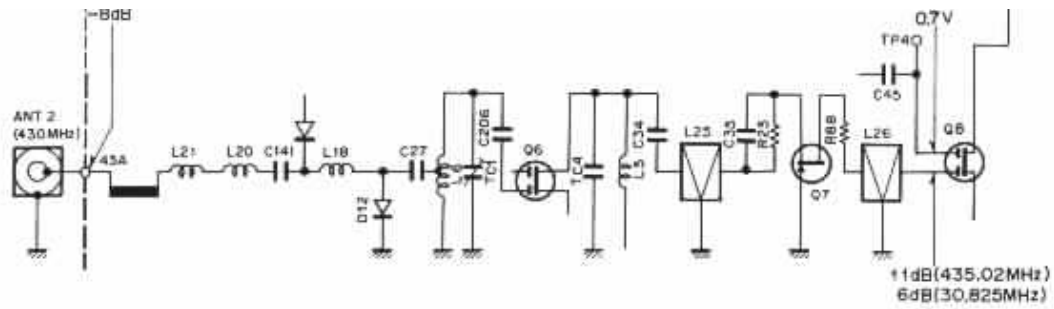
44

TW-4100A/

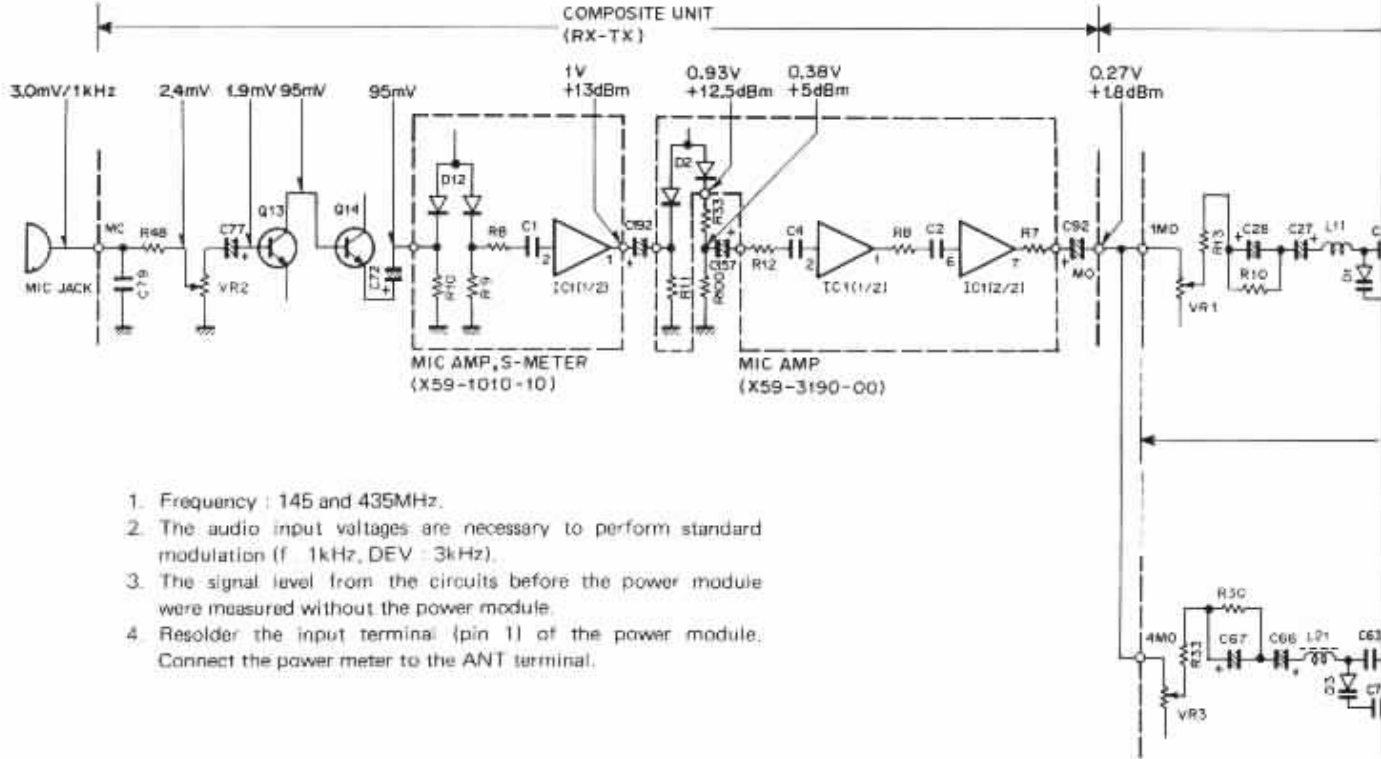
LEVEL D

RX SECTION





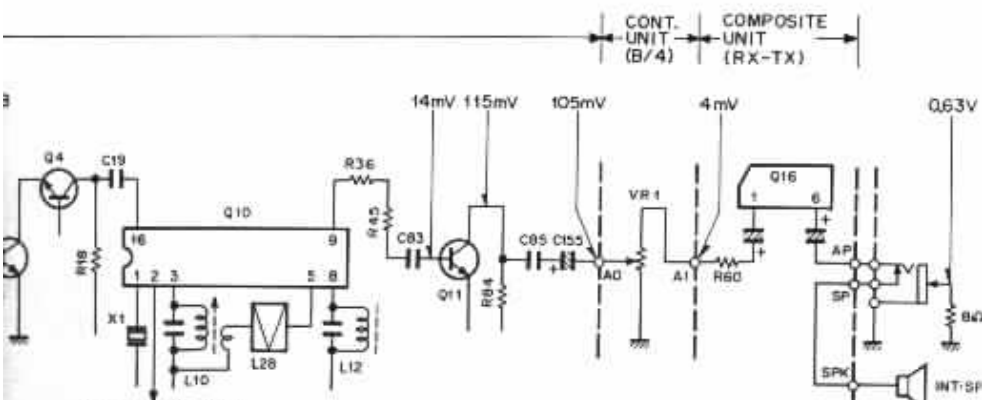
TX SECTION

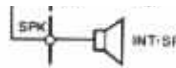
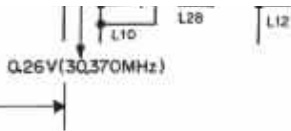


1. Frequency : 145 and 435MHz.
2. The audio input voltages are necessary to perform standard modulation (f 1kHz, DEV - 3kHz).
3. The signal level from the circuits before the power module were measured without the power module.
4. Resolder the input terminal (pin 1) of the power module. Connect the power meter to the ANT terminal.

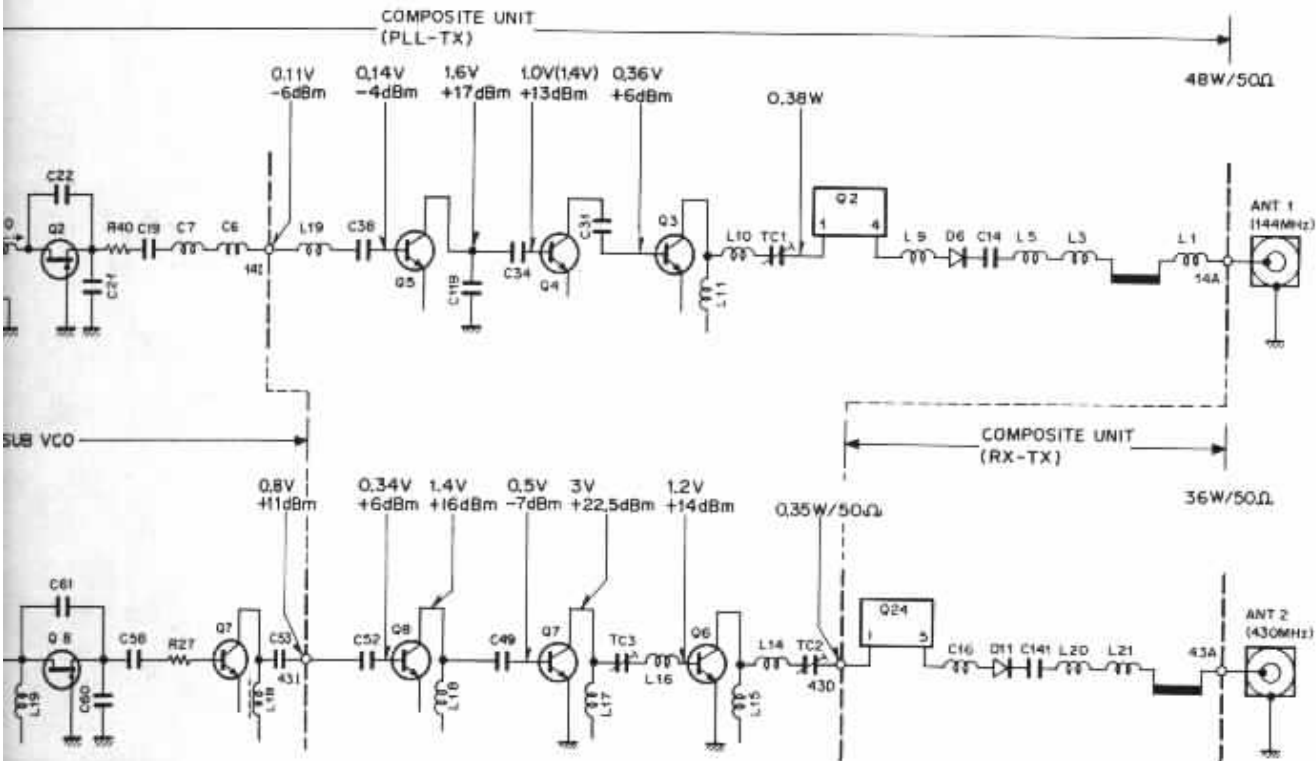
TW-4100A/E

GRAM





1. These SSG signal level values are necessary in order to obtain the 20dB NO audio signal.
2. After Q10 : These signal level values were measured, using a standard modulated signal (f : 1kHz, DEV : 3.0kHz, AF output : 0.63V/8Ω).
3. SSG output was measured, using a 0.01μF capacitor.



TW-4100A/E

ADJUSTMENT

REQUIRED TEST EQUIPMENT

1. DC V.M
 - 1) High input impedance
2. RF VTVM (RF V.M)
 - 1) Input impedance : 1MΩ min., 2pF max.
 - 2) Voltage range : F.S = 10mV ~ 300V
 - 3) Frequency range : Up to 450MHz
3. Frequency Counter (f. counter)

15. Sweep Generator

- 1) Sweep range : 1440MHz and 430MHz bands

16. Tracking generator

PREPARATION

- 1) Unless otherwise specified, knobs and switches should be set as follows **Table 9**.

3. **Frequency Counter (f. counter)**
 - 1) Input sensitivity : Approx. 50mV
 - 2) Frequency range : Up to 450MHz
4. **DC Power Supply**
 - 1) Voltage : 10V ~ 17V, variable
 - 2) Current : 10A min.
5. **Power Meter**
 - 1) Measurement range Approx. : 50W, 3W, 1W
 - 2) Input impedance : 50Ω
 - 3) Frequency range : 450MHz
6. **AF VTVM (AF V.M)**
 - 1) Input impedance : 1MΩ min.
 - 2) Voltage range : F.S = 1mV ~ 30V
 - 3) Frequency range : 50Hz ~ 10kHz
7. **AF Generator (AG)**
 - 1) Output frequency : 100Hz ~ 10kHz
 - 2) Output voltage : 0.5mV ~ 1V
8. **Linear Detector**
 - 1) Frequency range : 450MHz
9. **Spectrum Analyzer**
 - 1) Frequency range : 1GHz
10. **Directional Coupler**
11. **Oscilloscope**
 - 1) High sensitivity oscilloscope with horizontal input terminal
12. **SSG**
 - 1) Frequency range : 144MHz and 430MHz bands
 - 2) Modulation : AM and FM MOD.
 - 3) Output level : -20dB to 100dB
13. **Dummy Load**
 - 1) 8Ω, 5W (approx.)
14. **Noise Generator**
 - 1) Must generate ignition-like noise containing harmonics beyond 450MHz

1) Unless otherwise specified, knobs and switches should be set as follows **Table 9**.

POWER SW	ON	SEL SW	OFF
AF VOL VR	MIN	M SW	OFF
SQL VR	MIN	SCAN SW	OFF
LOW SW	OFF	SHIFT SW	S
VFO/M CH SW	VFD	TONE SW	OFF
MHz SW	OFF	REV SW	OFF

Table 9

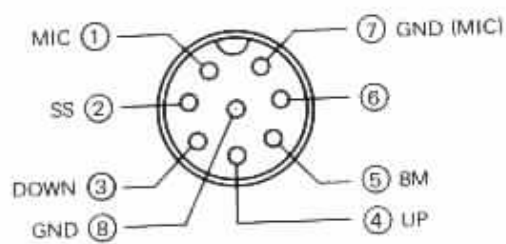


Fig. 14 MIC terminals (view from front panel side)

- 2) Use an insulated adjusting rod to adjust trimmers and coils.
- 3) To prevent damaging SSG, never connect the microphone to mic jack while adjusting the receiver section.
- 4) Be sure to turn the power switch OFF, before connecting the power cable to a power source.
- 5) SSG output levels are those at the time the output terminal is open.
- 6) Meter and display section should be set as follows **Fig. 15**.

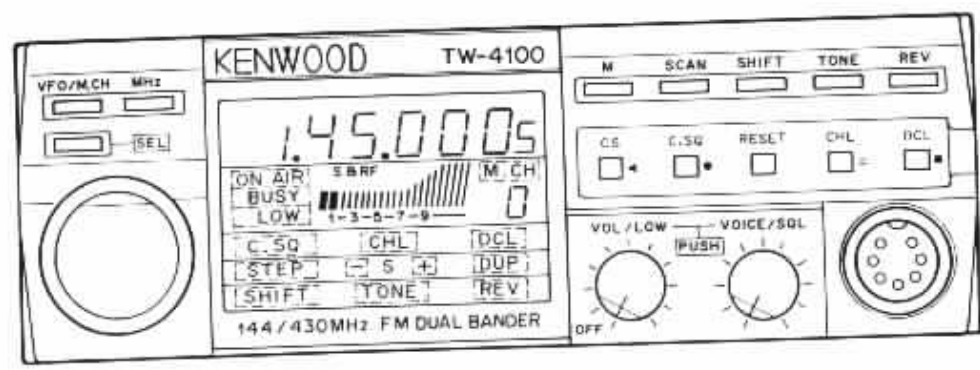
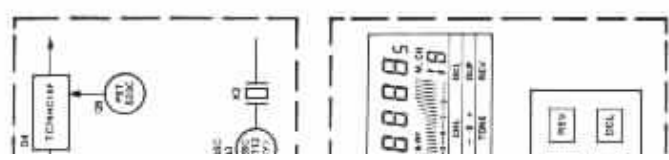
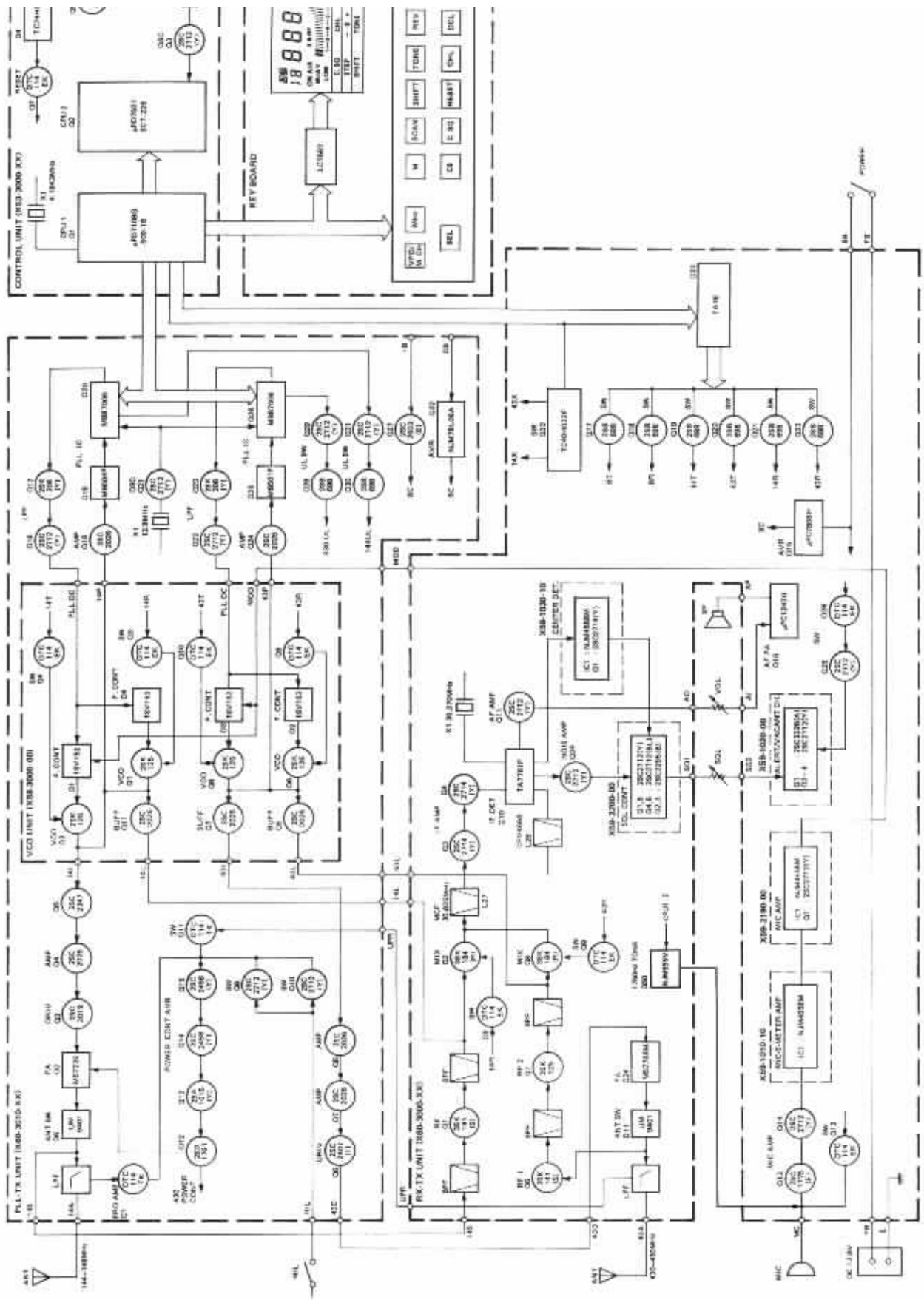


Fig. 15

TW-4100A/E

BLOCK DIAGRAM





ADJUSTMENT

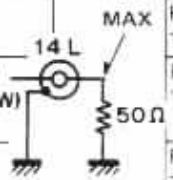
TW-4100A/E

COMMON ADJUSTMENT

Item	Condition	Measurement			Adjustment			Specification/Remarks
		Test equipment	Unit	Terminal	Unit	Part	Method	
1. Setting	1) VOL SW : OFF SQL VR : MAX. Connect DC power supply to the DC connector on the rear panel (13.8V DC). Before connecting the power supply, turn the Power SW OFF.							
2. Reset	1) Press and hold the M key and turn on the Power SW.							
	2) Turn the M SW OFF							Display 145,000

PLL SYSTEM ADJUSTMENT

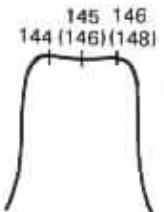
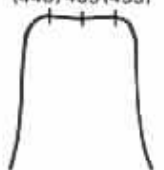
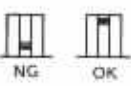
Item	Condition	Measurement			Adjustment			Specification/Remarks		
		Test equipment	Unit	Terminal	Unit	Part	Method			
1. VCO	1) FREQ. : 146.000 (K,M2) 145.000 (M1,T,W)	Digital multi-meter Power meter	PLL-TX	TP1 (3D)	SUB VCO	L4(4B)	4.2V (K,M2) 4.6V (M1,T,W)	±0.2V		
	2) Transmit.		Rear panel	ANT1 (1E)		L10 (3C)	3.5V	+0.2V ON AIR indicator lights.		
	3) FREQ. : 445.000 (K,M2) 435.000 (M1,T,W) Receive.		PLL-TX	TP2 (3D)		TC1 (3B)	4.0V	±0.2V		
	4) Transmit. Return to receive mode after adjustment.		Rear panel	ANT2 (1K)		TC2 (3C)	2.7V	±0.2V ON AIR indicator lights.		
2. VCO output level	1) FREQ. : 146.000 (K,M2) 145.990 (M1,T,W) Disconnect the coax connector (14L). Connect the 50Ω dummy load to the 14L coax jack.	RF V.M	RX-TX	14L (4J) (Mini-pin)	SUB VCO	L1(4C) L23 (4C)	MAX.	0.38V±0.07V (4.5dBm±1.5dBm)		
	2) Transmit.		PLL-TX	14I (3C)				Check	0.1V±0.03V (-7dBm±2dBm)	
	3) FREQ. : 445.000 (K,M2) 435.000 (M1,T,W) Receive.		RX-TX	43L (4J)					Check	0.24V±0.04V (0dBm±2dBm)
	4) Transmit.		PLL-TX	43I (4J)					Check	0.14V±0.03V (-4dBm±2dBm)
	5) After adjustment, reconnect 14L coax connector.									



TW-4100A/E

ADJUSTMENT

RECEIVER SYSTEM ADJUSTMENT

Item	Condition	Measurement			Adjustment			Specification/Remarks	
		Test equipment	Unit	Terminal	Unit	Part	Method		
1-1. Helical (144MHz)	1) Disconnect coax. plug (14L) from the COMP. unit (RX-TX). FREQ. : 146.050 (K,M2) 145.050 (M1,T,W)	Detector Oscilloscope or Spectrum analyzer Sweep gen. or Tracking gen.	RX-TX	TP1 (4J)	RX-TX	L1(4K) L2(4K) L24 (4J)	Adjust for the waveform perform shown on right.	 <p>() : K, M2</p>	
	2) Connect the sweep gen. to the ANT terminal ANT1 (35dBμ) and the oscilloscope to the detector output.			TP1 (4J)					
1-2. Helical (430MHz)	1) Disconnect coax. plug (43L) from the COMP. unit (RX-TX). FREQ. : 445.050 (K,M2) 435.050 (M1,T,W)	Sweep gen. or Tracking gen.	RX-TX	TP3 (4J)	RX-TX	L25 (4K) L26 (4J) TC1 (4K) TC4 (4K)	Adjust for the waveform perform shown on right. Repeat for MAX		
	2) Connect the sweep gen. to the ANT terminal (ANT2) and the oscilloscope to the detector output.			TP3 (4J)					
1-3. 430MHz LO.									
2-1. Sensitivity (144MHz)	1) Connect SSG to the ANT terminal (ANT1). FREQ. : 146.020 (K,M2) 145.020 (M1,T,W) SSG MOD : 1kHz DEV : 3kHz Output : -4dBμ	SSG AF V.M Dummy (8Ω) Distortion meter	Rear panel	ANT1 (1E) SP	RX-TX	L30 (4I) L3(4I) L4(4I) L10 (3H)	SINAD MAX. Repeat 2 or 3 times. 1) Turn the core of L3 and L4 up the case surface level. 2) Repeat the adjustment of L3 and L4 to obtain the MAX. deflection.		12dB SINAD -12dBμ or more Note Do not connect a microphone to the MIC jack.
2-2. Sensitivity (430MHz)	1) Connect SSG to the ANT terminal (ANT2). FREQ. : 445.020 (K,M2) 435.020 (M1,T,W) SSG MOD : 1kHz DEV : 3kHz Output : 4dBμ			ANT2 (1K) SP					
3. Discr	1) FREQ. : 445.020 (K,M2) 435.020 (M1,T,W) SSG MOD : 1kHz DEV : 3kHz Output : 30dBμ	SSG AF V.M Dummy (8Ω)	Rear panel	ANT2 (1K) SP	RX-TX	L12 (3H)	MAX. reading of AF V.M.	4V/8Ω or more.	
4. S-meter	1) FREQ. : 146.020 (K,M2) 145.020 (M1,T,W) SSG MOD : 1kHz DEV : 3kHz Output : -5dBμ	SSG SP	Rear panel	ANT1 (1E)	RX-TX	VR3 (3J)	Set the RF scale to "1".	-5dBμ±1dBμ.	
				Front panel	S meter			RF scale to a value greater than "10"	5dBμ±1dBμ or more
5. Open channel search	1) FREQ. : 445.020 (K,M2) 435.020 (M1,T,W) SSG MOD : OFF DEV : OFF Output : -9dBμ Connect TP5 terminal to the GND terminal from the COMP. unit (RX-TX).	SSG AF V.M SP	Rear panel	SP ANT2 (1K)	RX-TX	VR1 (3I)	Turn the VR1 to the point at which the BUSY LED blinking.	-9dBμ±2dBμ	

ADJUSTMENT

Item	Condition	Measurement			Adjustment			Specification/Remarks
		Test equipment	Unit	Terminal	Unit	Part	Method	
6. Squelch	1) SQL VR : Threshold point	AF V.M SP	Rear panel	SP	Front panel	SQL VR (5H)	Turn the SQL VR clockwise to the point at which squelch just close.	8 : 00~11 : 00
	2) Tight squelch FREQ. : 435.020 SSG MOD : 1kHz DEV : 3kHz Output : -12dB μ SQL VR : MAX.	SSG AF V.M SP	Rear panel Front panel	ANT2 (1K) SP			Squelch out : Squelch just open.	NO sensitivity : 18dB or more.
7. Beep level	1) VOL VR : 12 o'clock (Center)	AF V.M Dummy (B Ω)	Rear panel	EXT. SP	RX TX	VR5 (3K)	0.3V/8 Ω	\pm 1.0dB
	2) Press the M key.							

TRANSMITTER SYSTEM ADJUSTMENT

Item	Condition	Measurement			Adjustment			Specification/Remarks
		Test equipment	Unit	Terminal	Unit	Part	Method	
1. FM FREQ.	1) FREQ. : 445.000 (K,M2) 435.000 (M1,T,W) Transmit.	f. counter Power meter	Rear panel	ANT2 (1K1)	PLL- TX	TC4 (3D)	445.000.0MHz (K,M2) 435.000.0MHz (M1,T,W)	\pm 100Hz

144MHz TRANSMITTER SYSTEM ADJUSTMENT

Item	Condition	Measurement			Adjustment			Specification/Remarks
		Test equipment	Unit	Terminal	Unit	Part	Method	
1-1. RF output (HI power)	1) Preparation COMP. unit (PLL-TX) VR1 : MIN. VR2 : 12 o'clock (center) VR6 : MAX. VR7 : 10 o'clock VR8 : MIN. FREQ. : 146.000 (K,M2) 145.000 (M1,T,W) HI/LOW SW : HI Transmit.	Power meter (DC power supply galvo- meter)	Rear panel	ANT1 (1E)	PLL- TX	TC1 (2B)	POWER MAX.	50W or more, 11A or less.
						VR8 (3E)	48W	48W \pm 1W, 9.5A or less.
1-2. RF output (LOW power)	1) FREQ. : 146.000 (K,M2) 145.000 (M1,T,W) HI/LOW SW : LOW Transmit.	Power meter (DC power supply galvo- meter)	Rear panel	ANT1 (1E)	PLL- TX	VR7 (4E)	5.0W	5.0W \pm 0.5W, 4.0A or less. "LOW" indicator lights.
2-1. Protec- tion (NULL)	1) FREQ. : 146.000 (K,M2) 145.000 (M1,T,W) VR1 from COMP. unit : MIN. (fully counter- clockwise) HI/LOW SW : HI Transmit.	DC V.M	PLL- TX	L2 (2E)	PLL TX	VR2 (2D)	MIN.	0.3V or less. (Ref. 0.02V)
2-2. Protec- tion (CUR- RENT)	1) FREQ. : 146.000 (K,M2) 145.000 (M1,T,W) Disconnect the power meter from the ANT terminal	(DC power supply galvo- meter)			PLL- TX	VR1 (2E)	4.5A	4.5A \pm 0.1A

RENT)	Disconnect the power meter from the ANT terminal and open the ANT terminal.	supply (galvo-meter)					
3. RF meter	1) FREQ. : 146,000 (K,M2) 145,000 (M1,T,W) HI/LOW SW : HI		Front panel	RF meter	PLL TX	VR6 (3F)	Set to the RF scale reads to "10".

TW-4100A/E

ADJUSTMENT

Item	Condition	Measurement			Adjustment			Specification/Remarks
		Test equipment	Unit	Terminal	Unit	Part	Method	
4. DEV.	1) FREQ. : 146,000 (K,M2) 145,000 (M1,T,W) COMP. unit (RX-TX) VR2 : MAX. VR4 : MIN. AG : 1kHz, 30mV SUB VCO VR1 : Center	Linear detector or Modulation analyzer Dummy (50Ω) Directional coupler	Rear panel	ANT1 (1E)	SUB VCO	VR1 (3B)	±4.5kHz	±4.5kHz±200Hz • 4101 (WAVE TEK) FILTER : 25kHz/15kHz De-emphasis : OFF
	RX-TX				VR2 (4I)	±3.0kHz Repeat 2 or 3 times.	±3.0kHz±200Hz	
5-1. TONE DEV. (W)	1) FREQ. : 145,000 TONE SW : ON (Press the TONE SW and		Rear panel	ANT1 (1E)	RX-TX	VR11 (3K)	1750Hz	1750±10Hz
5-2. TONE DEV. (T)	1) Disconnect the CN9 connector from the COMP. unit. 2) Connect the DC power supply (+5V) to the CN9 terminal (1 pin).					VR10 (3K)	±3.5kHz	±3.5kHz±200Hz

430MHz TRANSMITTER SYSTEM ADJUSTMENT

Item	Condition	Measurement			Adjustment			Specification/Remarks
		Test equipment	Unit	Terminal	Unit	Part	Method	
1-1. RF output (HI power)	1) Preparation COMP. unit (PLL-TX) VR3 : MIN VR4 : MAX VR5 : Center VR9 : MAX. COMP. unit (RX-TX) VR6 : Center FREQ. : 445,000 (K,M2) 435,000 (M1,T,W) HI/LOW SW : HI Transmit.	Power meter (DC power supply galvo-meter)	Rear panel	ANT2 (1K)	PLL-TX	TC3 (3E) TC2 (3E)	POWER MAX.	38W or more, 11A or less.
						VR4 (4E)	36W	36W±0.5W, 9.5A or less.
	2) ACP adjustment	DC V.M	PLL-TX	R3 (3B)		TC3 (3E) TC2 (3E)	MIN. Repeat 2 or 3 times.	10.2V±0.5V
1-2. RF output (LOW power)	1) FREQ. : 445,000 (K,M2) 435,000 (M1,T,W) HI/LOW SW : LOW Transmit.	Power meter (DC power supply galvo-meter)	Rear panel	ANT2 (1K)	PLL-TX	VR5 (4D)	5W	5W±0.5W, 4.0A or less. "LOW" indicator lights
2-1. Pre-tune	1) FREQ. : 445,000 (K,M2)	DC V.M	RX-	L23	RX-	VR6	MIN	0.7V or less.

2-1. Protection (INULL)	1) FREQ. : 445.000 (K,M2) 435.000 (M1,T,W) COMP. unit (PLL-TX) VR9 : MIN. (fully counter clockwise) HI/LOW SW : HI Transmit.	(meter) DC V.M	RX-TX	L23 (2K)	RX-TX	VR6 (2J)	MIN	0.7V or less.
2-2. Protection (CURRENT)	1) FREQ. : 435.000 Disconnect the power meter from the ANT terminal and open the ANT terminal. Transmit.	(DC power supply galvo-meter)			PLL-TX	VR9 (3E)	4.0A	4.0A±0.1A

52

TW-4100A/E

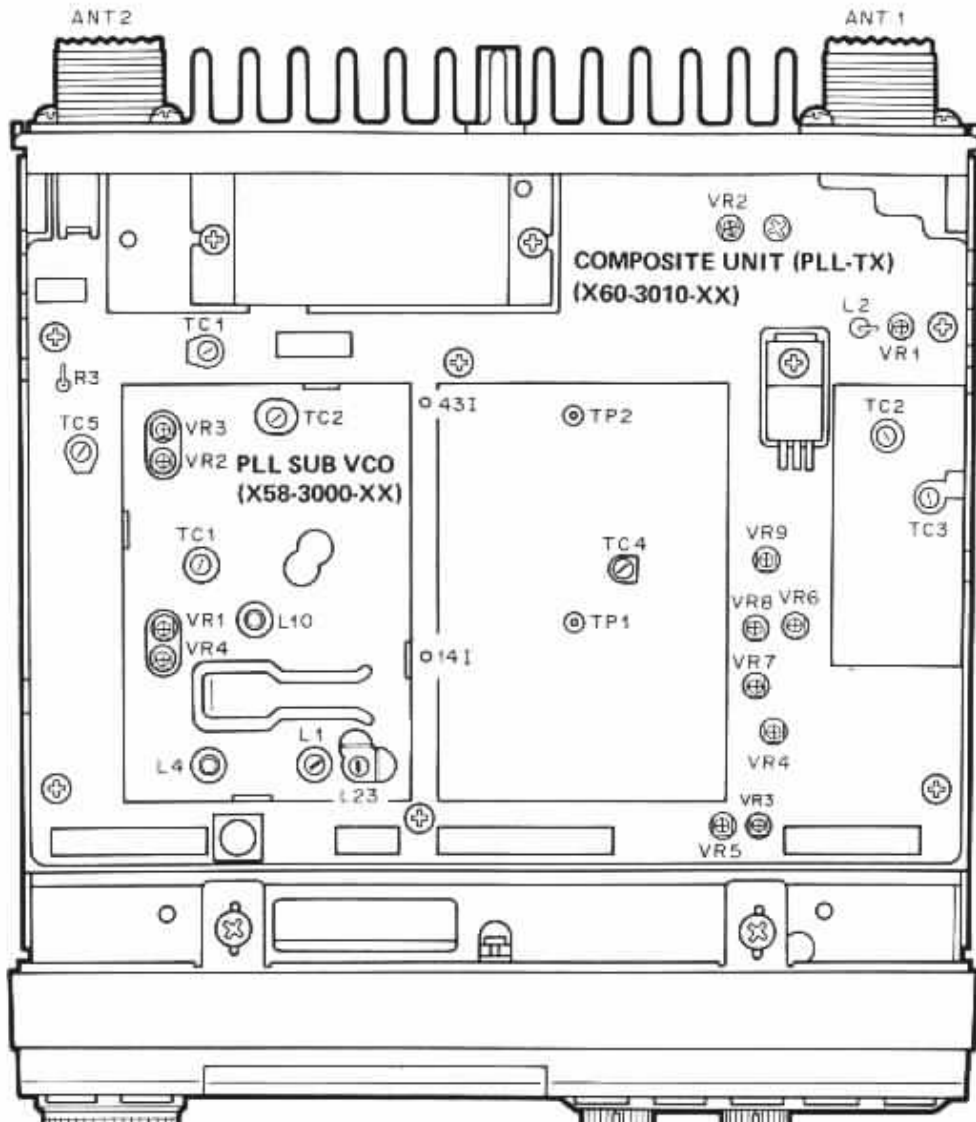
ADJUSTMENT

Item	Condition	Measurement			Adjustment			Specification/Remarks
		Test equipment	Unit	Terminal	Unit	Part	Method	
3. RF meter	1) FREQ. : 445.000 (K,M2) 435.000 (M1,T,W) HI/LOW SW : HI		Front panel	RF meter	PLL-TX	VR3 (4E)	Set to the RF scale reads to "10".	
4. DEV.	1) FREQ. : 445.000 (K,M2) 435.000 (M1,T,W) SUB VCO VR3 : Center COMP. unit (RX-TX) VR2 : MAX. VR4 : MIN. AG : 1 kHz, 30mV 2) MIC GAIN : See the 144MHz transmitter system adjustment "4. DEV."	Linear detector or Modulation analyzer Dummy (50Ω) Directional coupler	Rear panel	ANT2 (1K) • MS-57A/61A (Anritsu) HPF : OFF LPF : 20kHz De-emphasis : OFF	SUB VCO (3B)	VR3 (3B)	±4.5kHz • 4101 (WAVE TEK) FILTER : 25kHz/15kHz De-emphasis : OFF	±4.5kHz±200Hz

A B C D E F

ADJUSTMENT

TOP VIEW





COMPOSITE UNIT (PLL-TX)

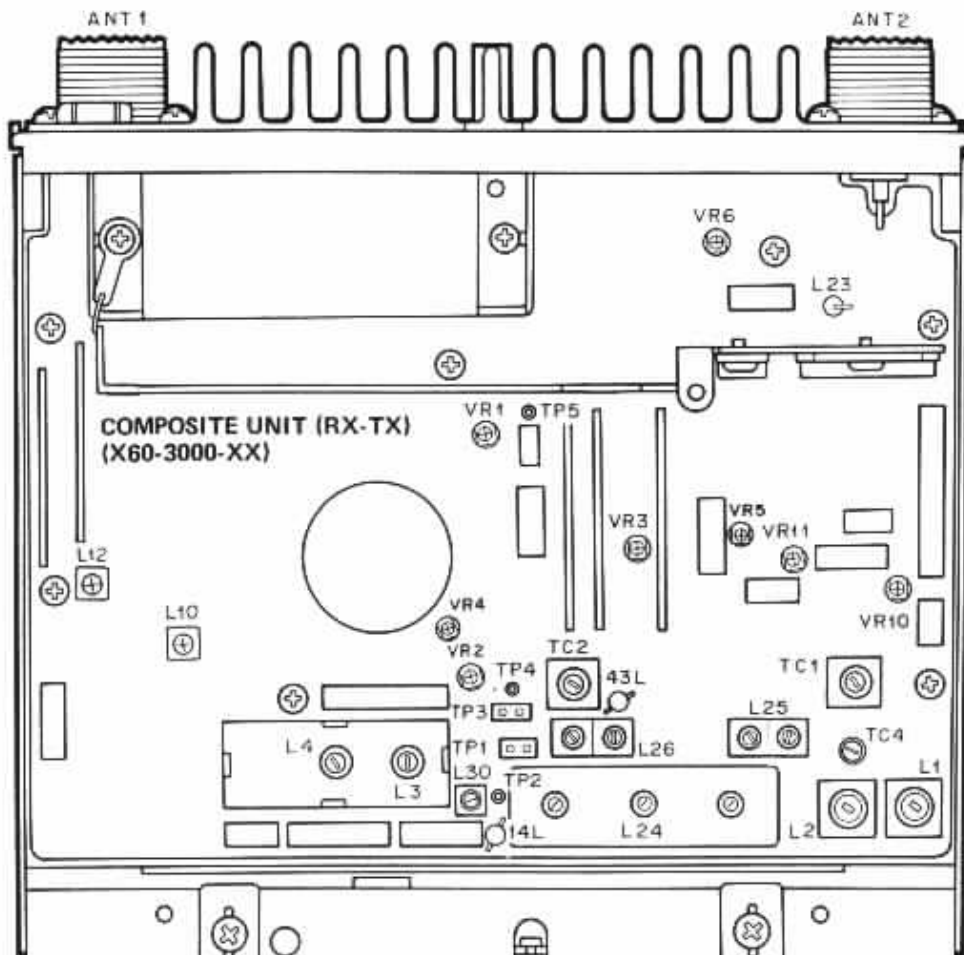
- VR1 : 144MHz Protection current
- VR2 : 144MHz Protection null
- VR3 : 430MHz RF meter
- VR4 : 430MHz Hi power
- VR5 : 430MHz Low power
- VR6 : 144MHz RF meter
- VR7 : 144MHz Low power
- VR8 : 144MHz Hi power
- VR9 : 430MHz Protection current
- TC1 : 144MHz Hi power
- TC2,3 : 430MHz Hi power
- TC4 : Output frequency
- TC5 : 144MHz Hi power

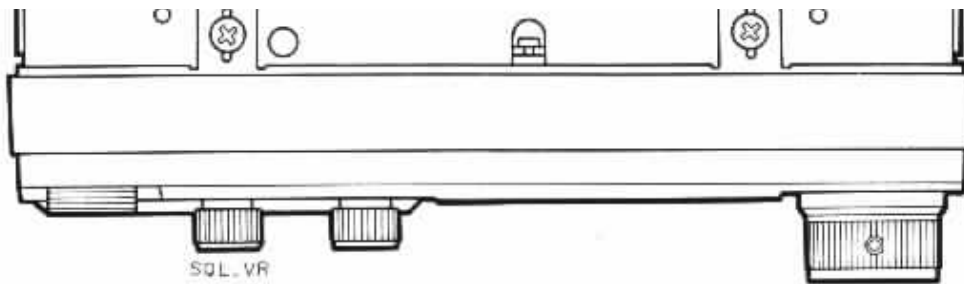
PLL SUB VCO

- VR1 : 144MHz Dev.
- VR2 : 430MHz Tone dev.
- VR3 : 430MHz Dev.
- VR4 : 144MHz Tone dev.
- TC1,2 : VCO voltage
- L1,23 : VCO output
- L4,10 : VCO voltage

TW-4100A/E
ADJUSTMENT

BOTTOM VIEW





COMPOSITE UNIT (RX-TX)

- VR1 : Vacant channel level
- VR2 : Mic gain
- VR3 : S meter
- VR4 : RPT
- VR5 : Beep level
- VR6 : 430MHz Protection null
- VR10 : 144MHz Tone dev. (T)
- VR11 : 144MHz Tone dev. (W)
- TC1,2,4 : 430MHz RX sensitivity
- L1,2,24 : 144MHz Helical
- L3,4,10 : Common IF gain
- L12 : Discr1
- L25,26 : 430MHz Helical
- L30 : 144MHz RX sensitivity

5

6

7

TW-4100A/E

TERMINAL FUNCTIONS

Terminal Function

Connector No.	Terminal No.	Terminal Name	Terminal Function
CONTROL UNIT (X53-3000-XX)			
J1	1	5C	+ 5V
	2	GND	GND
J2	1	GND	GND
	2	EN1	Encoder out 1
	3	EN2	Encoder out 2
J3	1	43E	430MHz PLL Enable
	2	14E	144MHz PLL Enable
	3	43U	430MHz Unlock input
	4	14U	144MHz Unlock input
	5	DAT	PLL DATA (SO)
	6	GND	GND
	7	CLK	PLL CLOCK (SCK)
	8	GND	GND
J4	1	MCH	VFO/MCH KEY input
	2	KRO	Key return input
	3	KR1	Key return input
	4	KR2	Key return input
	5	KS3	Key scan output
	6	KS2	Key scan output
	7	KS1	Key scan output
	8	KS0	Key scan output
J5	1	GND	GND
	2	LAP	Lamp input (+ 8V)
	3	DAT	PLL DATA (SO)
	4	CLK	PLL CLOCK (SCK)
	5	CE	LCD driver chip enable
	6	INH	LCD driver inhibit

Connector No.	Terminal No.	Terminal Name	Terminal Function
J12	1	MC	Modem clock input
	2	ME	Modem enable output
	3	MD	Modem data input/output
	4	5C	+ 5V
	5	GND	GND
	6	RD	RX data
	7	TD	TX data
	8	GND	GND
J13	1	ME	Modem enable output
	2	TC	EXT Tone clock
	3	TD	EXT Tone data
	4	TE	EXT Tone enable
	5	5C	+ 5V
	6	TO	Tone output
	7	GND	GND
COMPOSITE UNIT (RX-TX) (X60-3000-XX)			
J1	1	DV	Module drive + B
	2	SQ2	Squelch Volume 2
	3	SQ1	Squelch Volume 1
J2	1	BZ	Beep input
	2	8C	+ 8V
	3	UR	VCO select UHF RX
	4	VR	VCO select VHF RX
	5	UT	VCO select UHF TX
	6	VT	VCO select VHF TX
J3	1	43T	430MHz TX + 8V
	2	14R	144MHz RX + 8V
	3	43R	430MHz RX + 8V

	5	CE	LCD driver chip enable
	6	INH	LCD driver inhibit
	7	5C	+ 5V
	8	GND	GND
J6	1	GND	GND
	2	LAP	Lamp out (+ 8V)
J7	1	AM	Audio mute output
	2	SR	S&RF meter input
	3	VR	VCO select VHF RX
	4	VT	VCO select VHF TX
	5	UR	VCO select UHF RX
	6	UT	VCO select UHF TX
	7	BZ	Beep output
	8	175	1750Hz Tone out
	9	MM	Model enable output
	10	TO	Tone output
	11	BCU	+ 8V Line
	12	RD	RX data
J8	1	HL	Low power SW input
	2	GND	GND
	3	VOS	VOICE SW input
	4	GND	GND
J9	1	MR	MIC MR SW input
	2	SS	MIC PTT SW input
	3	UP	MIC UP SW input
	4	DWN	MIC DWN SW input
	5	GND	GND
J10	1	BUS	BUSY input
	2	SQS	Squelch select out
J11	1	DAT	PLL DATA (SO)
	2	CLK	PLL CLOCK (SCK)
	3	BSY	VS-2 BUSY input
	4	SR	VS-3 Strobe output
	5	5C	+ 5V
	6	GND	GND

	2	14R	144MHz RX + 8V
	3	43R	430MHz RX + 8V
	4	14T	144MHz TX + 8V
J4	1	TD	} Not used Modem enable output
	2	GND	
	3	MM	
	4	MC	
	5	GND	
	6	8M	
J5	1	RD	RX data
	2	GND	GND
	3	AO	Audio output
J6	1	8C	Not used
	2	GND	GND
	3	VO	VS-2 output
J7	1	GND	GND
	2	SPK	Speaker input
J8	1	GND	GND
	2	A1	Audio input
	3	SB	Switched + B (B, 8V)
	4	CB	Common + B
	5	CB	Common + B
	6	AP	Audio out to EXT SP
	7	GND	GND
	8	SP	Speaker input
J9	1	TI	Tone data input
	2	GND	GND
J10	1	UPR	UHF Protection out
	2	UPC	UHF APC output
	3	43T	Not used
J11	1	MO	Modulation output
	2	GND	GND
	3	RM	RF Meter output
J12	1	AM	Audio mute output
	2	BUS	BUSY input
	3	SQS	Squelch select out

56

TW-4100A/E

TERMINAL FUNCTIONS

Connector No.	Terminal No.	Terminal Name	Terminal Function
J13	1	14X	UHF MODE : + 8V
	2	43X	VHF MODE : + 8V
COMPOSITE UNIT (RX-TX) (X60-3010-XX)			
J1	1	GND	GND
	2	MOD	Modulation output
	3	GND	GND
	4	TON	Tone output
	5	GND	GND
	6	43T	430MHz TX + 8V
	7	14R	144MHz RX + 8V
	8	43R	430MHz RX + 8V
	9	14T	144MHz TX + 8V
J2	1	GND	GND
	2	DV	Module drive + V
	3	CB	Common + B
	4	8C	+ 8V
	5	LAP	Lamp line (+ 8V)

Connector No.	Terminal No.	Terminal Name	Terminal Function
J3	1	5C	+ 5V
	2	GND	GND
	3	43E	430MHz Unlock input data
	4	43U	430MHz Unlock
	5	14E	144MHz Unlock input data
	6	14U	144MHz Unlock
	7	DAT	PLL DATA (SO)
	8	GND	GND
	9	CLK	PLL CLOCK (SCK)
	10	GND	GND
	11	8C	+ 8V
J4	1	UPR	UHF Protection out
	2	14X	VHF (RX, TX) + 8V
	3	UPC	UHF APC output
	4	43X	UHF (RX, TX) + 8V
	5	RM	RF METER
	6	SR	S&RF meter input
	7	HL	Low power SW input
J5	1	AP	Audio out
	2	SP	Speaker input
	3	GND	GND

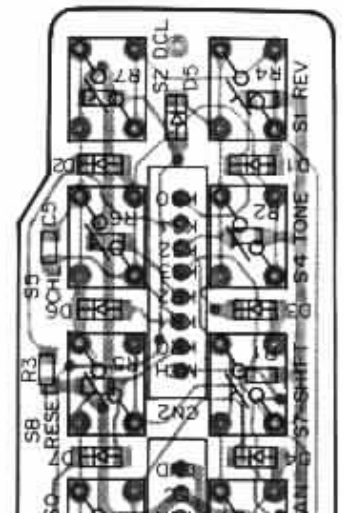
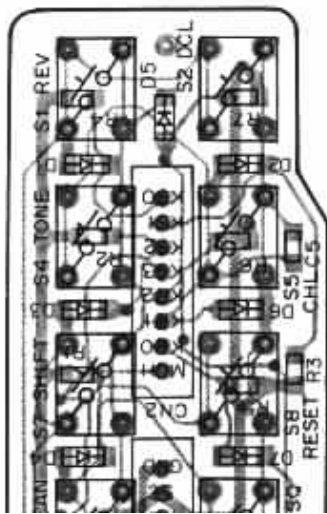


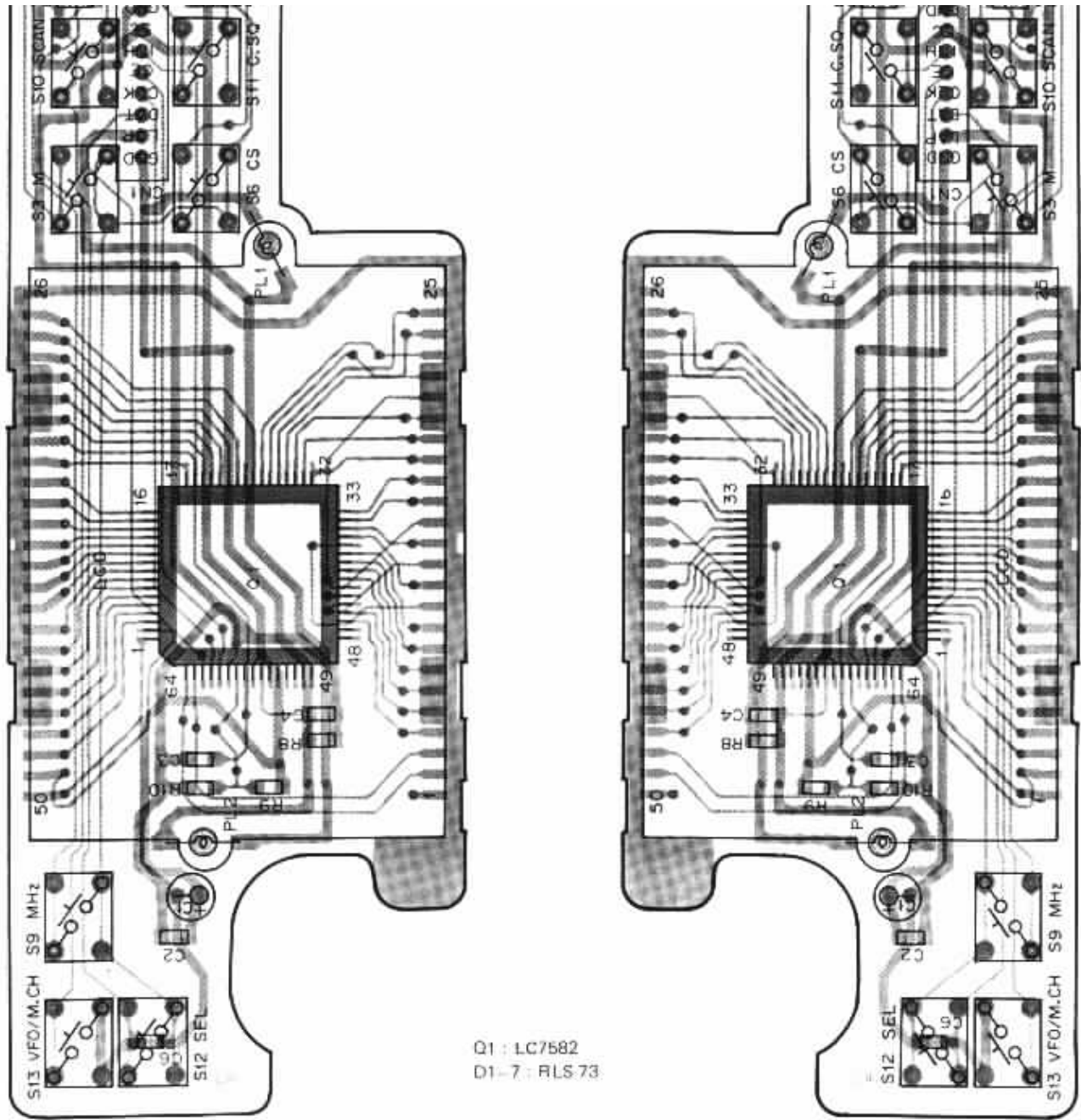
57



KEYBOARD ASS'Y (W03-2003-15) Component side view

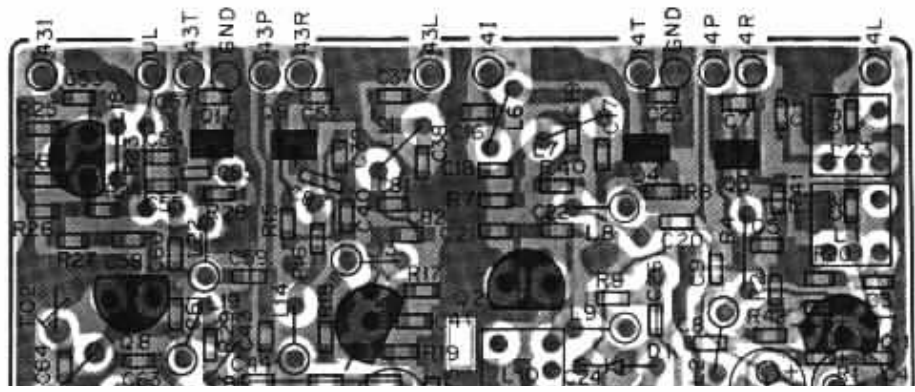
KEYBOARD ASS'Y (W03-2003-15) Foil side view

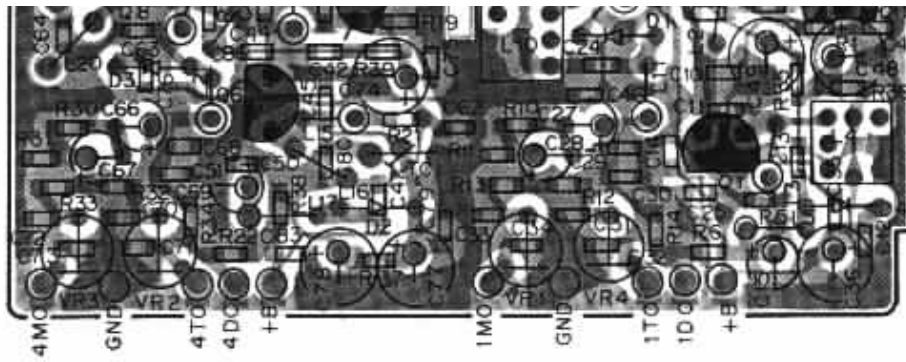




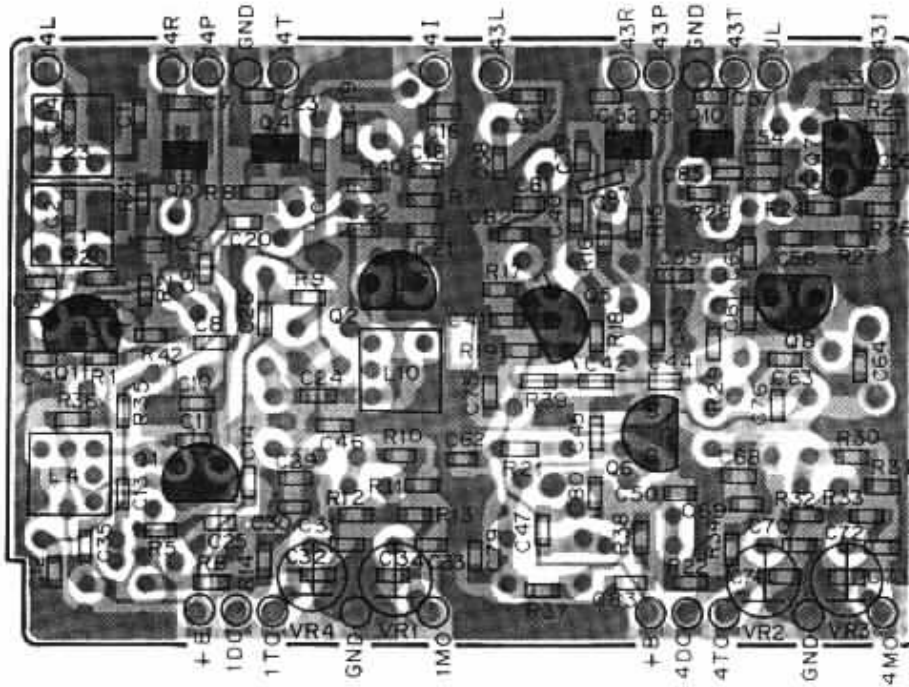
58

PLL SUB VCO (X58-3000-XX) -00 : M1,T,W -11 : K,M2 Component side view





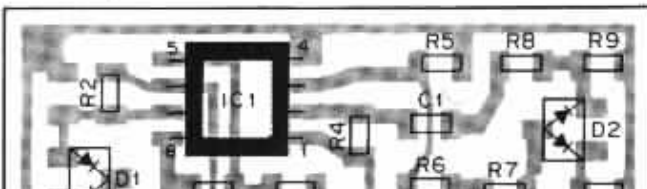
PLL SUB VCO (X58-3000-XX) -00 : M1,T,W -11 : K,M2 Foil side view



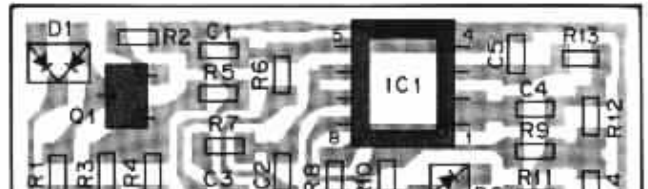
Q1,2,6,8 : 2SK125 Q3,4,9,10 : DTC114EK Q5,7,11 : 2SC2026
D1-4 : 1SV153

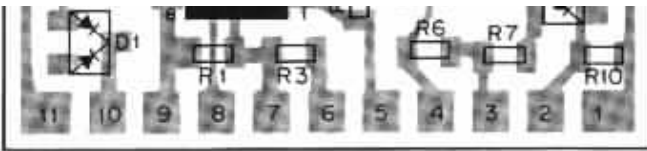
PC BOARD VIEWS TW-4100A/E

MIC AMP., S-METER (X59-1010-10) Component side view



MIC AMP. (X59-3190-00) Component side view



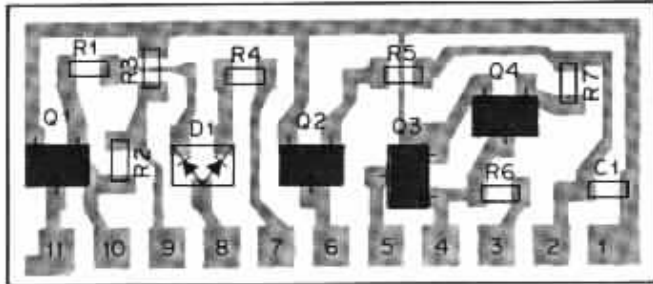


IC1 : NJM4558M
D1 : 1SS184 D2 : 1SS181



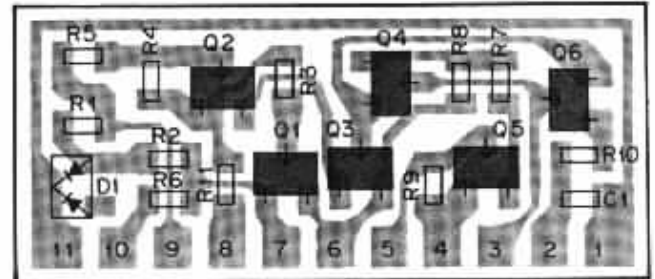
D1 : 2SC2712(Y) IC1 : NJM4558M
D1 : 1SS184 D2 : 1SS181

ALERT, VACANT CH. (X59-1020-10) Component side view



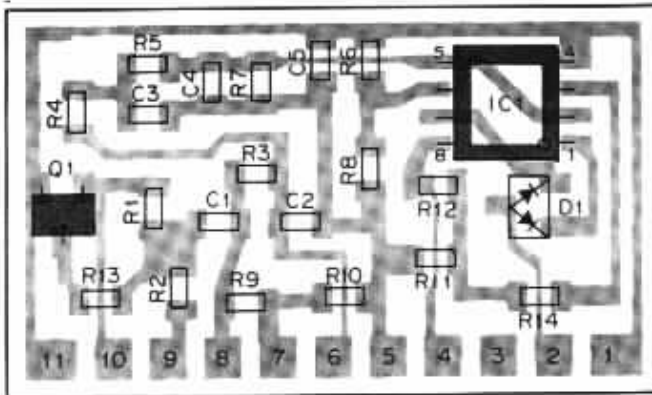
Q1 : 2SC3326(A) Q2-4 : 2SC2712(Y)
D1 : 1SS181

SQUELCH CONTROL (X59-3200-00) Component side view



Q1,5 : 2SC2712(Y) Q2,3 : 2SC3295(B) Q4,6 : 2SC2712(BL)
D1 : 1SS184

CENTER DETECTOR (X59-1030-10) Component side view



Q1 : 2SC2714(Y) IC1 : NJM4558M
D1 : 1SS181

2SK125



DTC114EK



2SC2026



2SC2712
2SC2714
2SC3295
2SC3326



TW-4100A/E PC BOARD VIEWS

CONTROL UNIT (X53-3000-XX) -11 : K -21 : M1 -22 : M2 -51 : T -61 : W Component side view

N

Q3

4

Q1

6

7

A

B

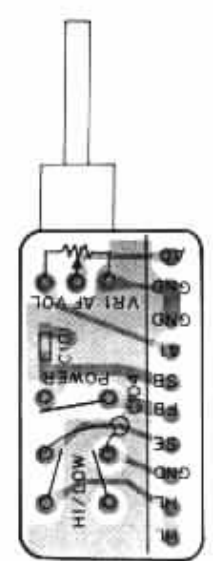
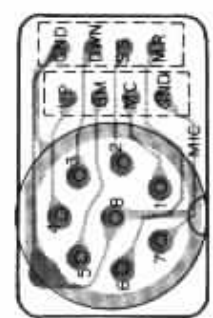
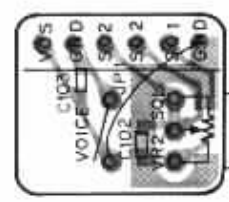
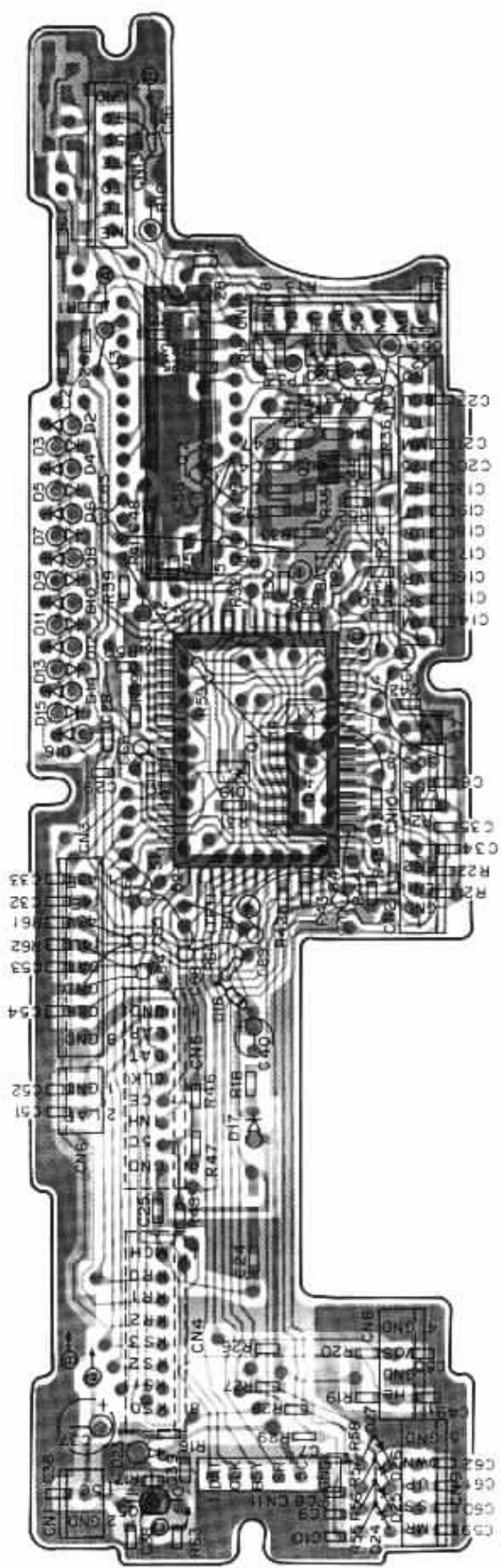
C

D

E

F

61

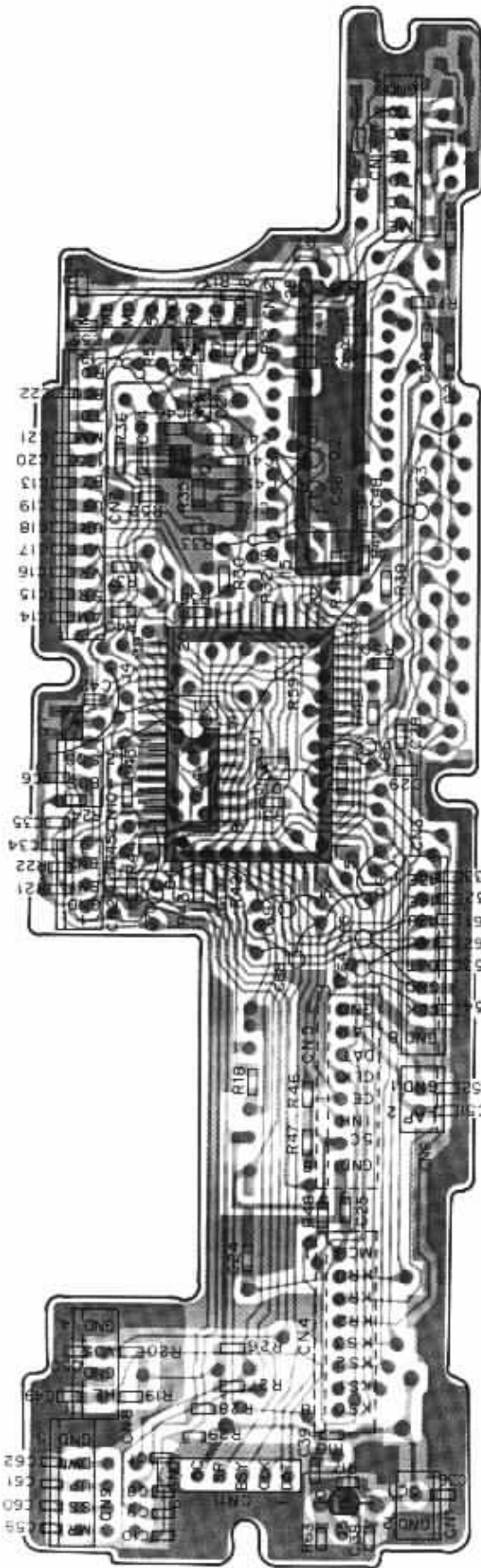
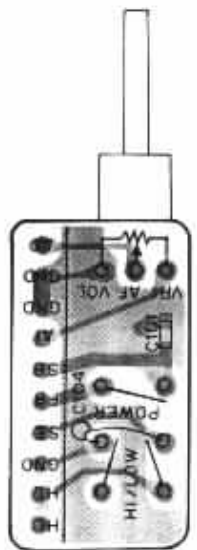
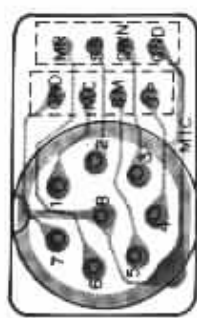
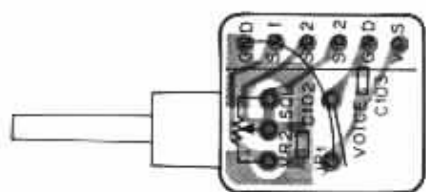


Q1 : μ PD7510BG-509-1B Q2 : μ PD7507SCT-226 Q3 : 2SC2712(Y) Q4 : TC74HC14F
 Q5 : PST523C Q7 : DTC114EK
 D2-18, 23-27 : 1SS133 D19 : 1SS196 D20 : DAP202K D21 : DAN202K

	D2	D3	D4	D5	D7	D10	D14
K	O	X	X	X	X	O	X
M1	O	X	X	O	X	O	X
M2	O	X	X	X	O	X	X
T	X	O	O	O	O	O	O
W	X	X	O	O	O	O	O

O : Used, X : Not used

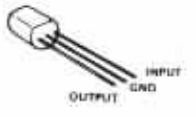
CONTROL UNIT (X53-3000-XX) -11 : K -21 : M1 -22 : M2 -51 : T -61 : W Foil side view



2SC2712
2SC2714



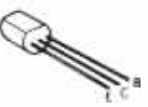
PST523C



DTC114EK



2SB698
2SC1775



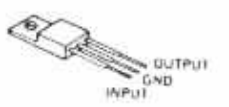
2SK125



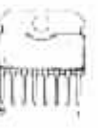
3SK184



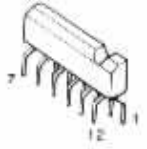
μPC7808H



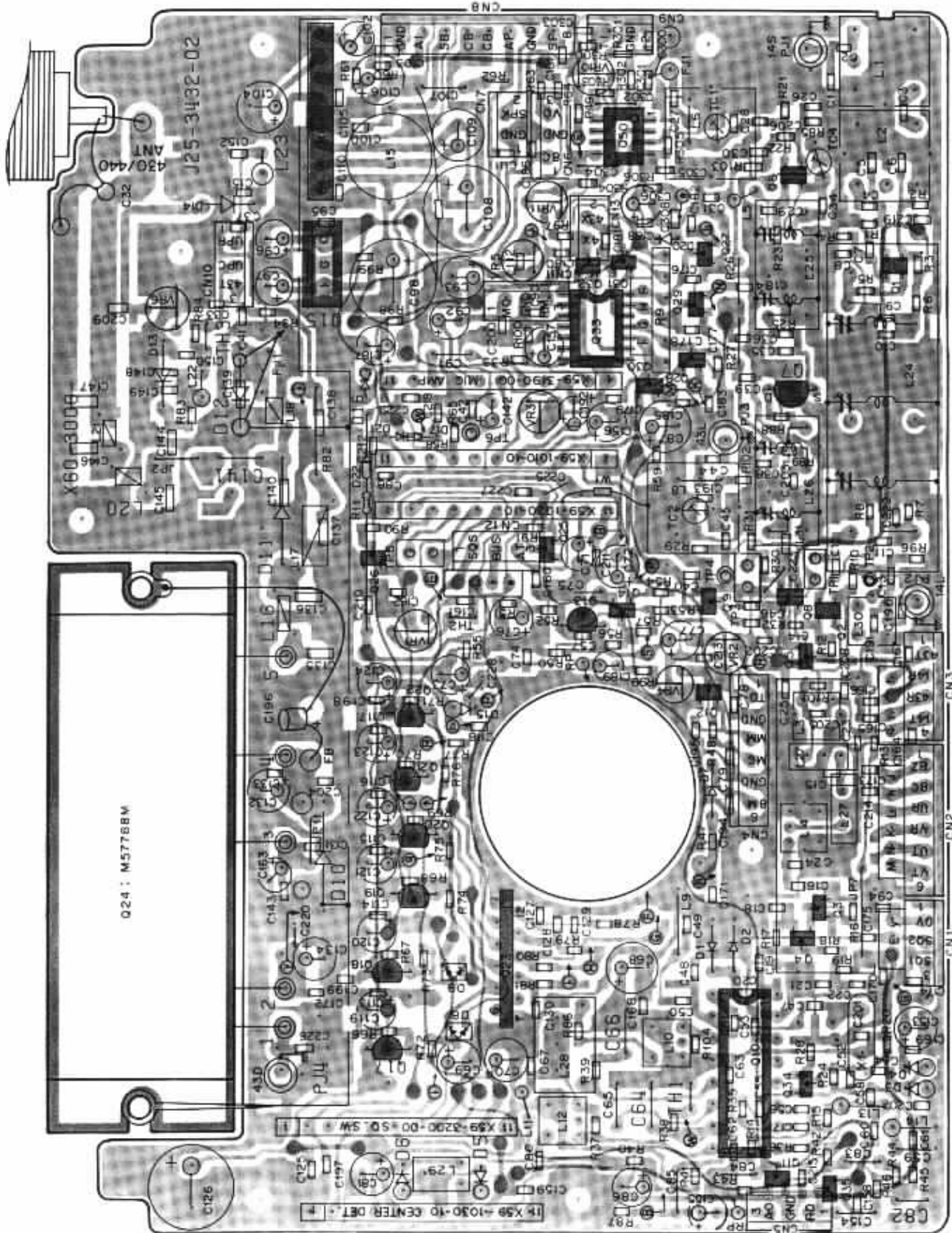
μPC1242H



TA78



COMPOSITE UNIT (RX-TX) (X60-3000-XX) -11 : K,M1,M2 -51 : T,W Component side view



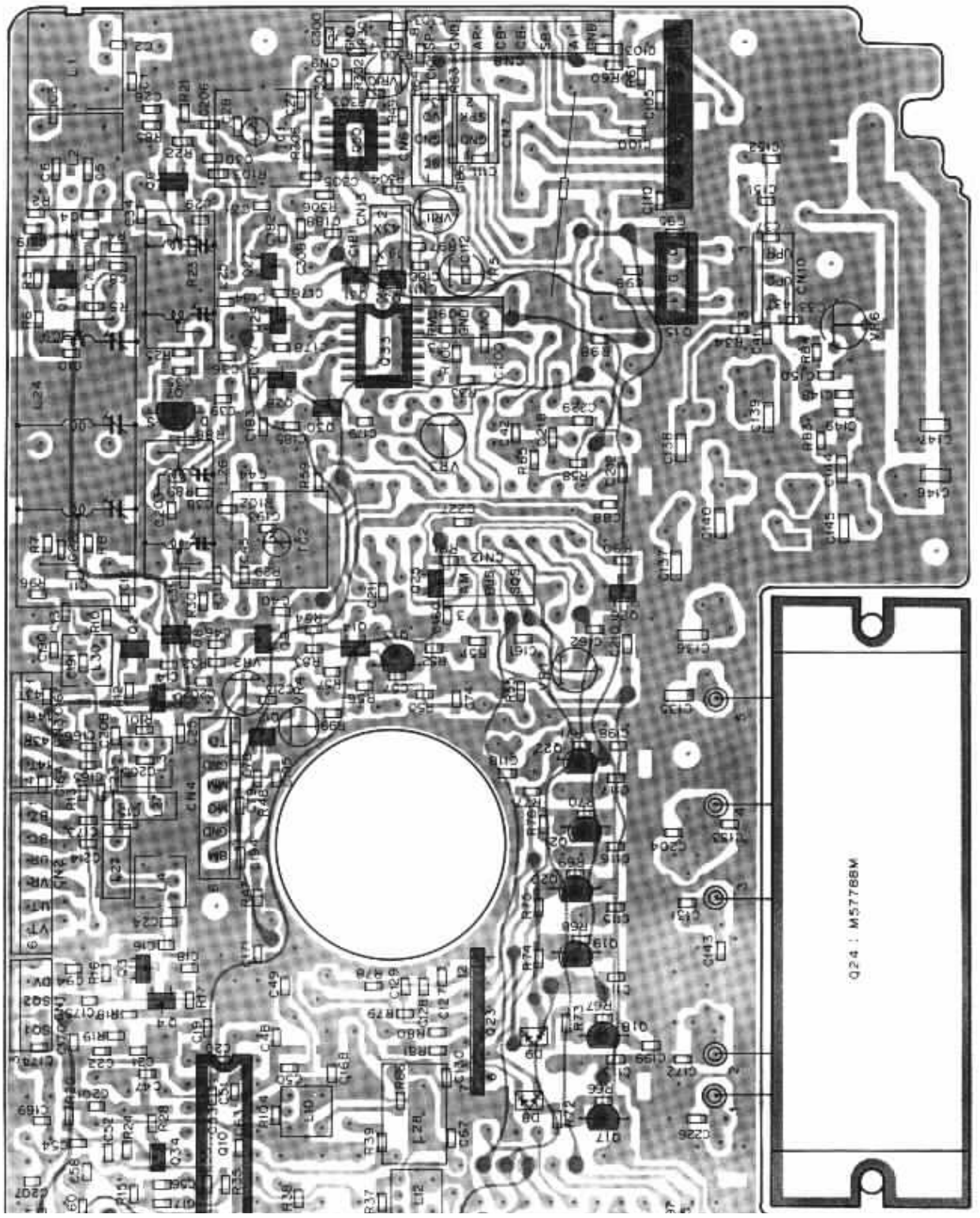
- Q1.5 : 3SK184(S) Q2.8 : 3SK184(R) Q3.4 : 2SC2714(Y) Q5.9,12,26-32,35 : DTC114EK Q7 : 2SK125 Q10 : TA7761P Q11,14,25,34 : 2SC2712(Y)
- Q13 : 2SC1775(E) Q15 : μ PC1242H Q16 : μ PC1242H Q17-22 : 2SB698 Q23 : TA78 Q24 : M57788M Q33 : TC40H032F Q50 : NJM555M(TW-4100E)
- D1-4 : 1S1587 D5.6 : 1N60PSPA D7,17,21,22 : 1S1555 D8.9 : DAP202K D10 : U158 D11 : UM9401 D12 : M1308 D13 : 1SS101
- D14 : 1S1587 D15 : 1SS133 D16 : MTZ6.2JC D20 : MTZ5.6JC(TW-4100E)

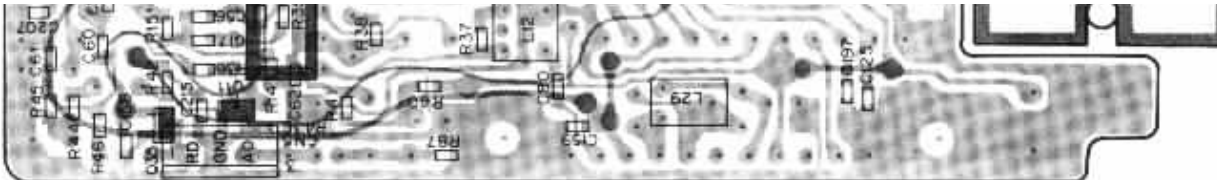
Q50, VR10,11, D20, C300~306,308, R30X)~306 : TW-4100E only.

A B C D E F

PC BOARD VIEWS TW-4100A/E

COMPOSITE UNIT (RX-TX) (X60-3000-XX) -11 : K,M1,M2 -51 : T,W Foil side view





A B C D E F

TW-4100A/E PC BOARD VIEWS

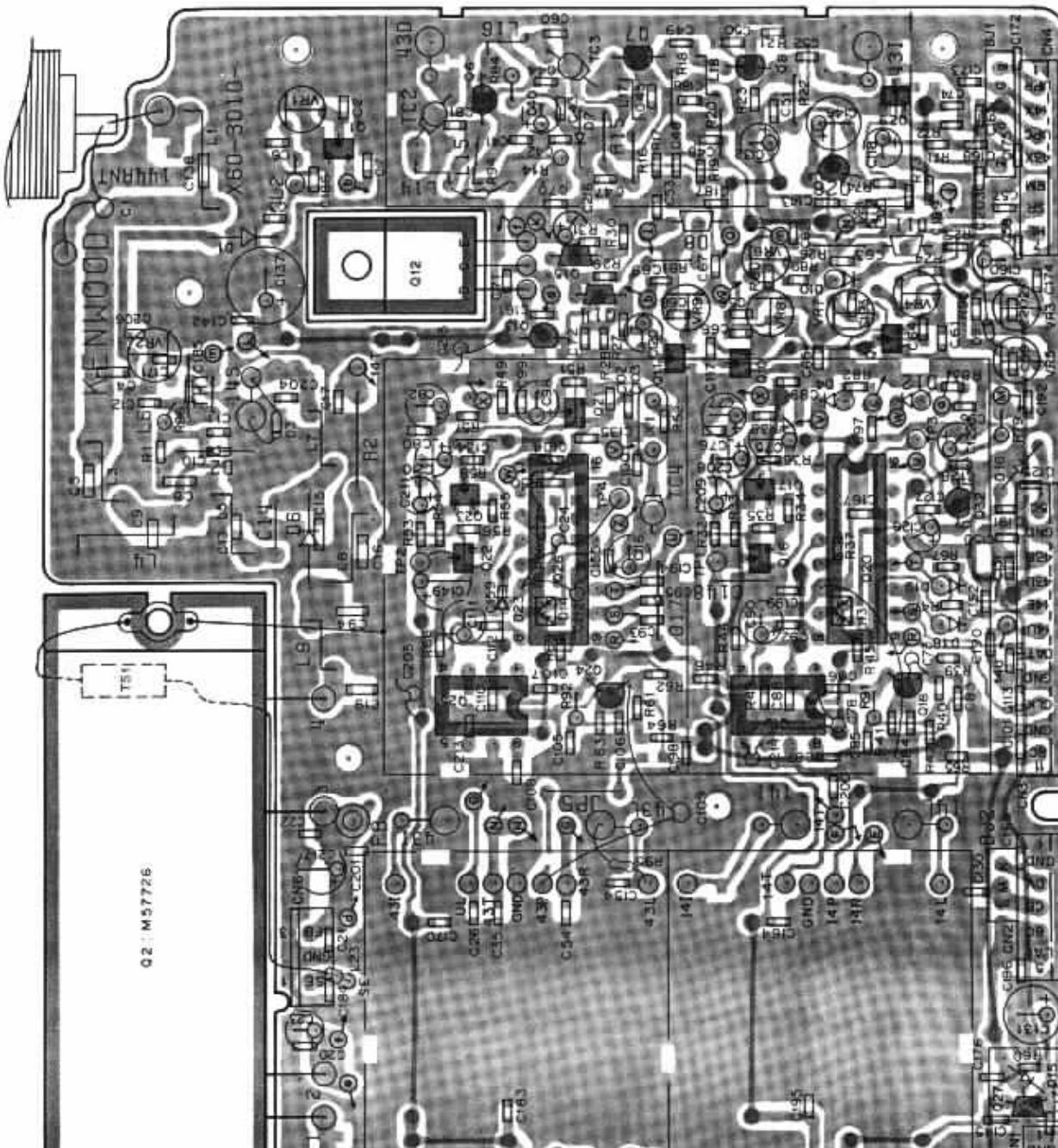
COMPOSITE UNIT (PLL-TX) (X60-3010-XX) -01 : M1,T,W -11 : K,M2 Component side view

2

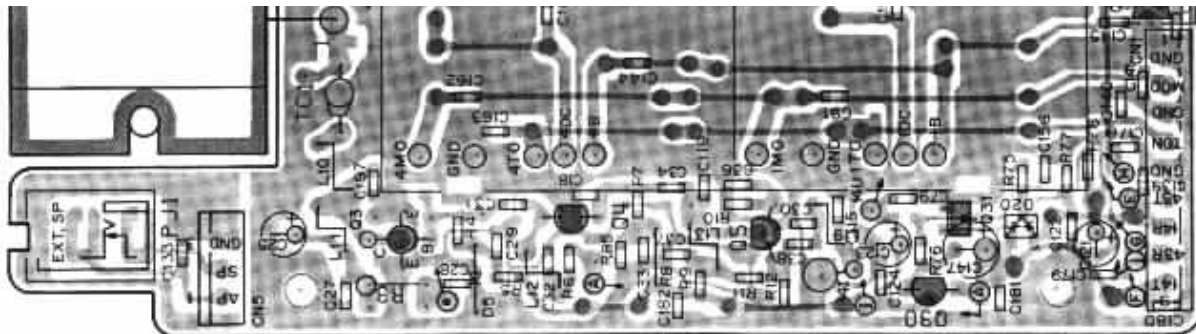
3

4

5



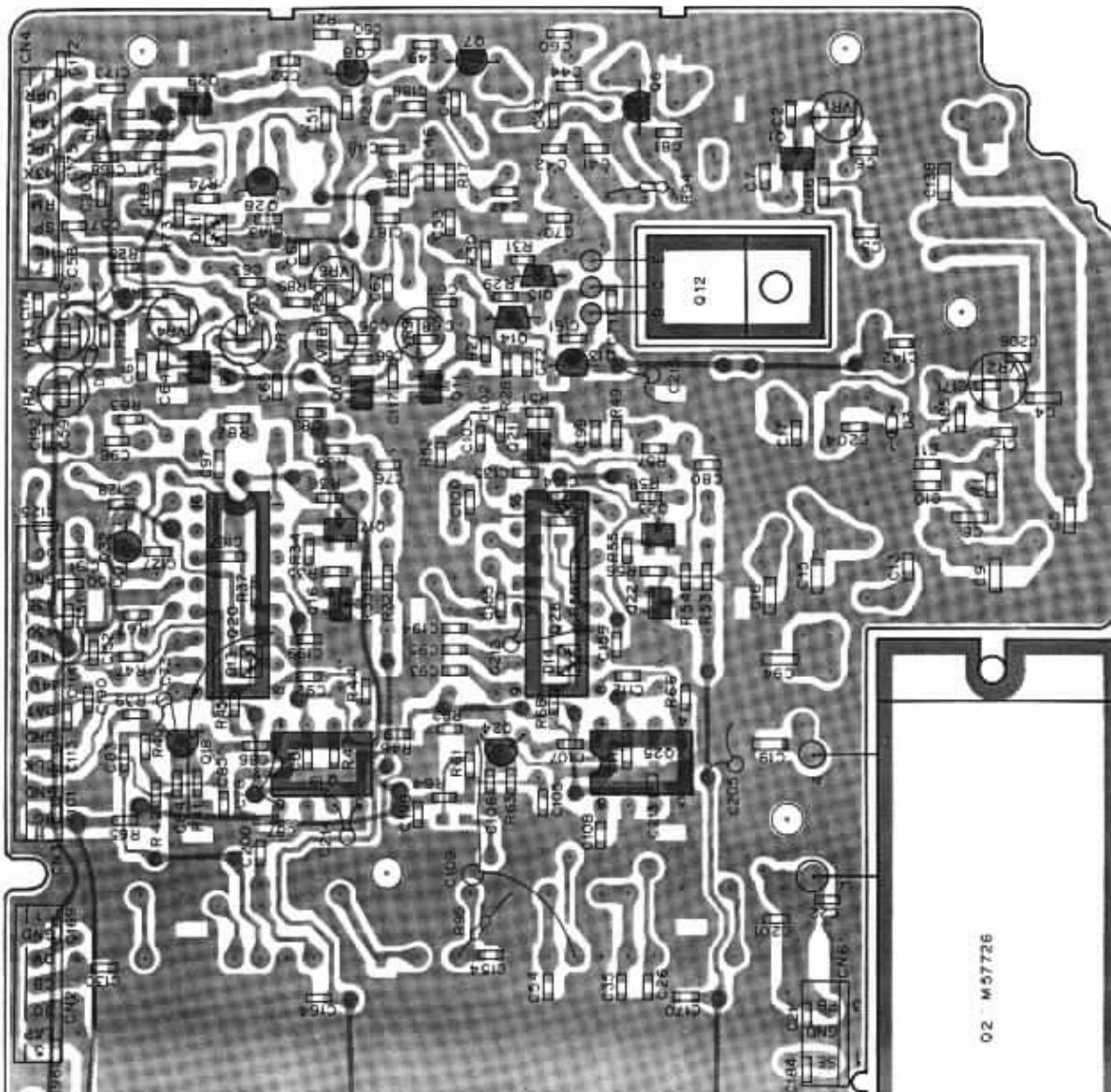
- 7726 Q3 : 2SC3019 Q4,7,8,18,24 : 2SC2026 Q5 : 2SC2347 Q6 : 2SC2407(1) Q8,10,16,21,22,29,31 : 2SC2712(Y)
- 015(Y) Q14,15 : 2SC2458(Y) Q17,23 : 2SK208(Y) Q19 : MB504P Q20,26 : MB87006 Q25 : MB501P
- 25B698 Q32 : NJM78L06A
- 04,5,7,12,15-17,23 : 1S1555 D6 : UM9401
- 10FSPA D13,14,20,21 : DAN202K D18,19 : 1S5133



Q1,11 : DTC114TK Q2 : M57726
 Q12 : 2SD1761 Q13 : 2SA1015(V)
 Q27 : 2SC2603(E) Q28,30 : 2SB6
 D1,2 : 2SC1587 D3 : M1308 D4 :
 D8,11 : MC921 D9,10 : 1N60P5P

A B C D E F

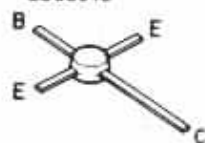
COMPOSITE UNIT (PLL-TX) (X60-3010-XX) -01 : M1,T,W -11 : K,M2 Foil side view



2SC2712



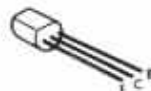
2SC3019



2SC2026
2SC2407



2SA1015
2SB698
2SC2347



2SD1761



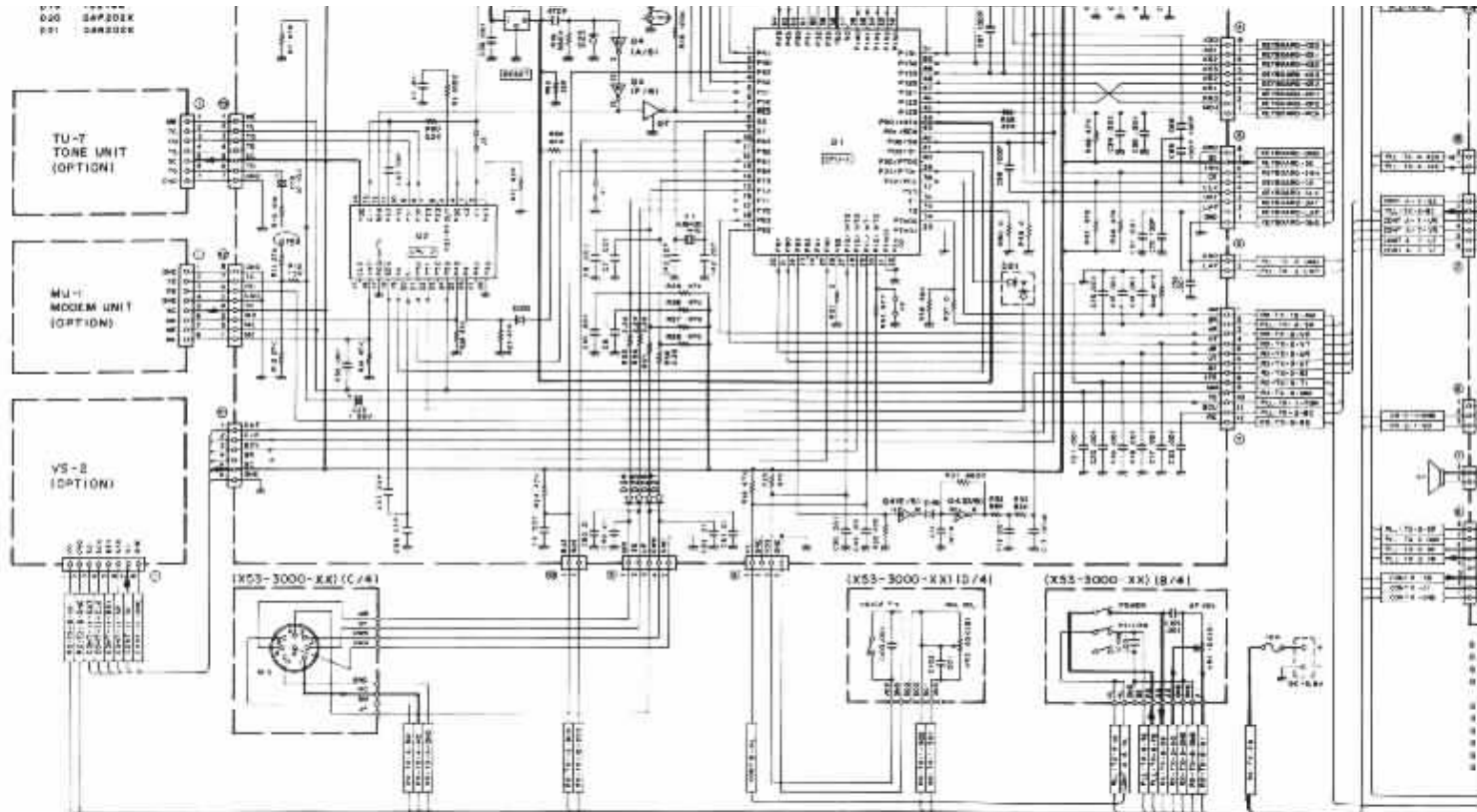
2SC2458
2SC2603



2SK208

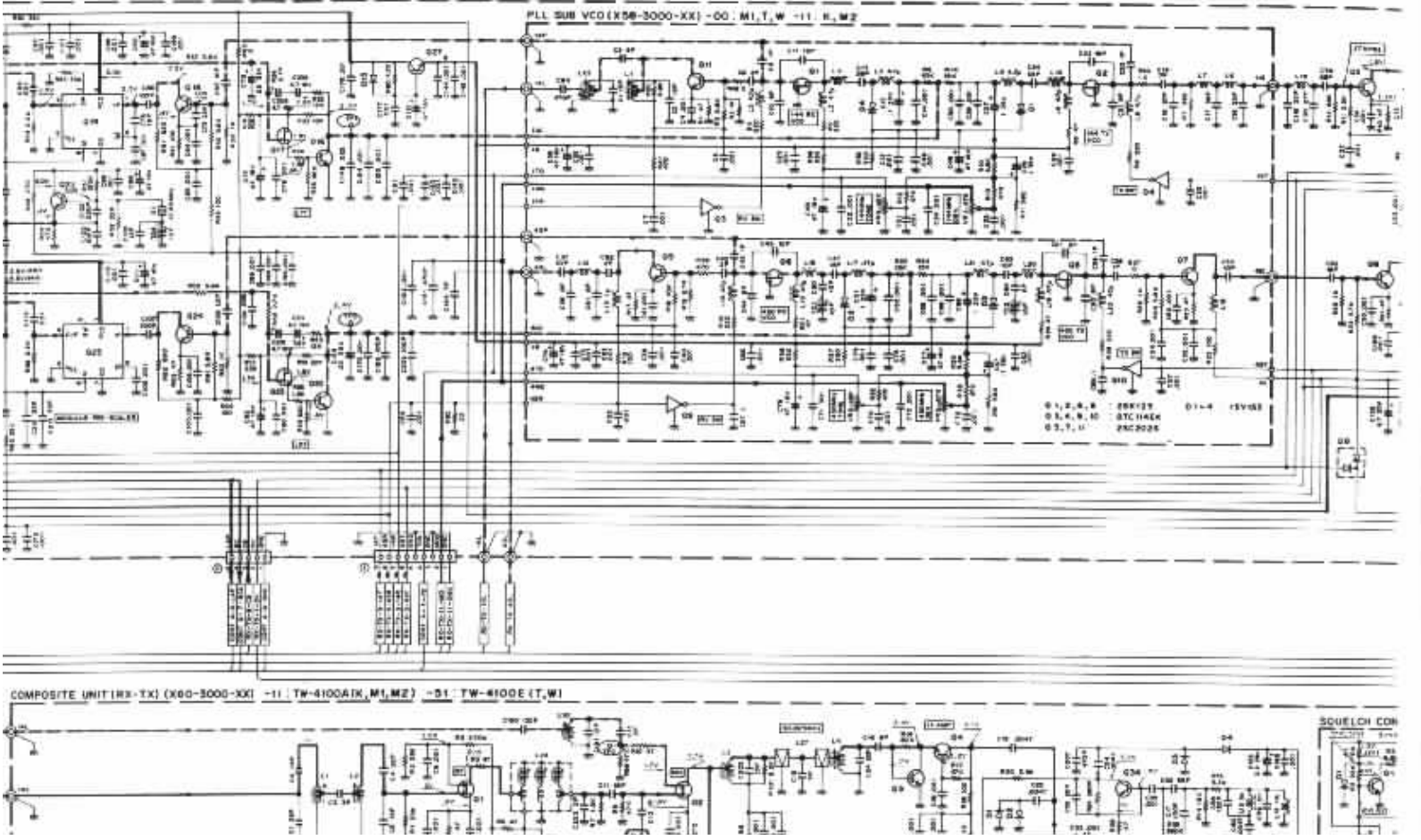
Q2 : M57726

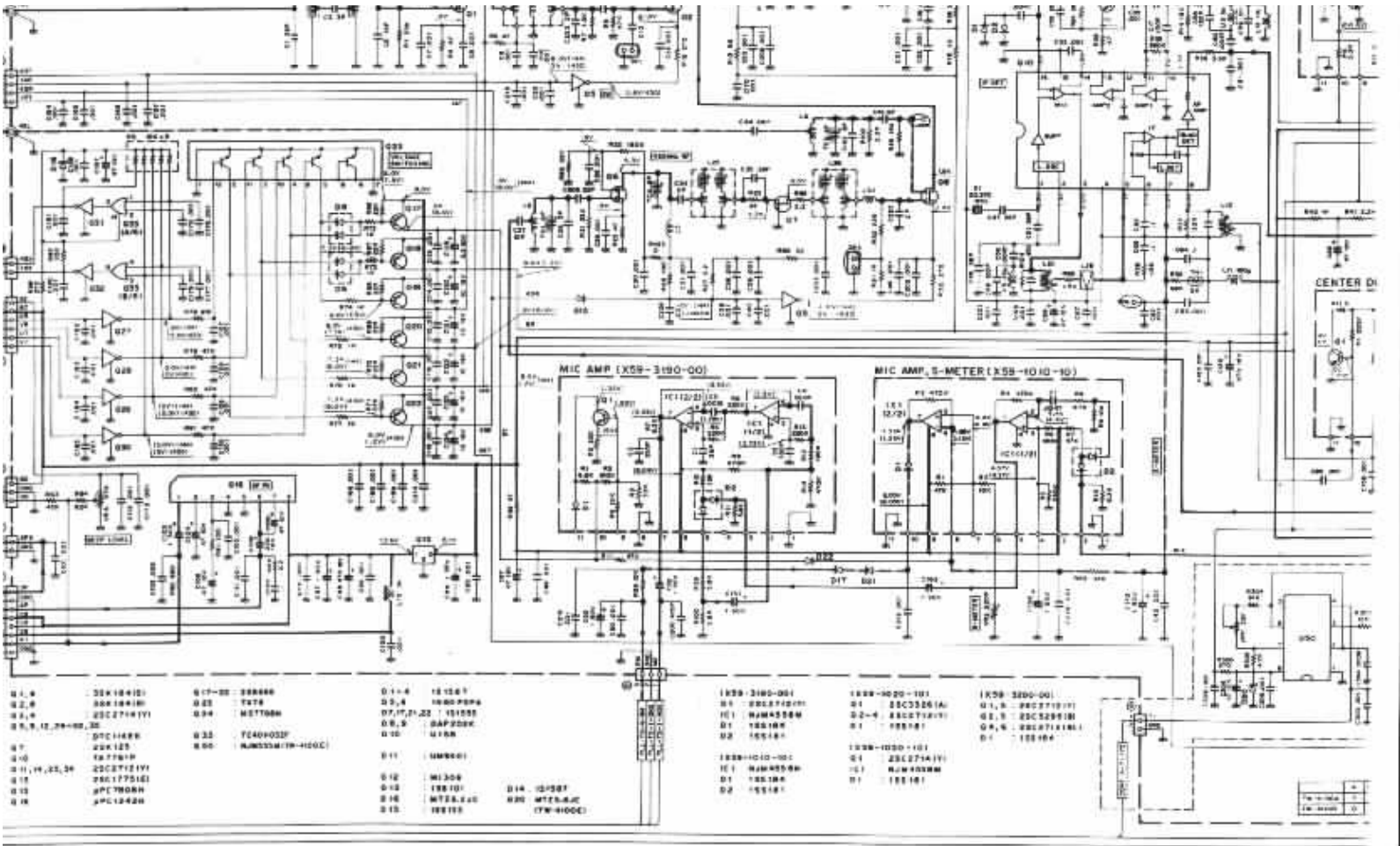
020 2AP202X
031 2AW202X



SCHEMATIC DIAGRAM

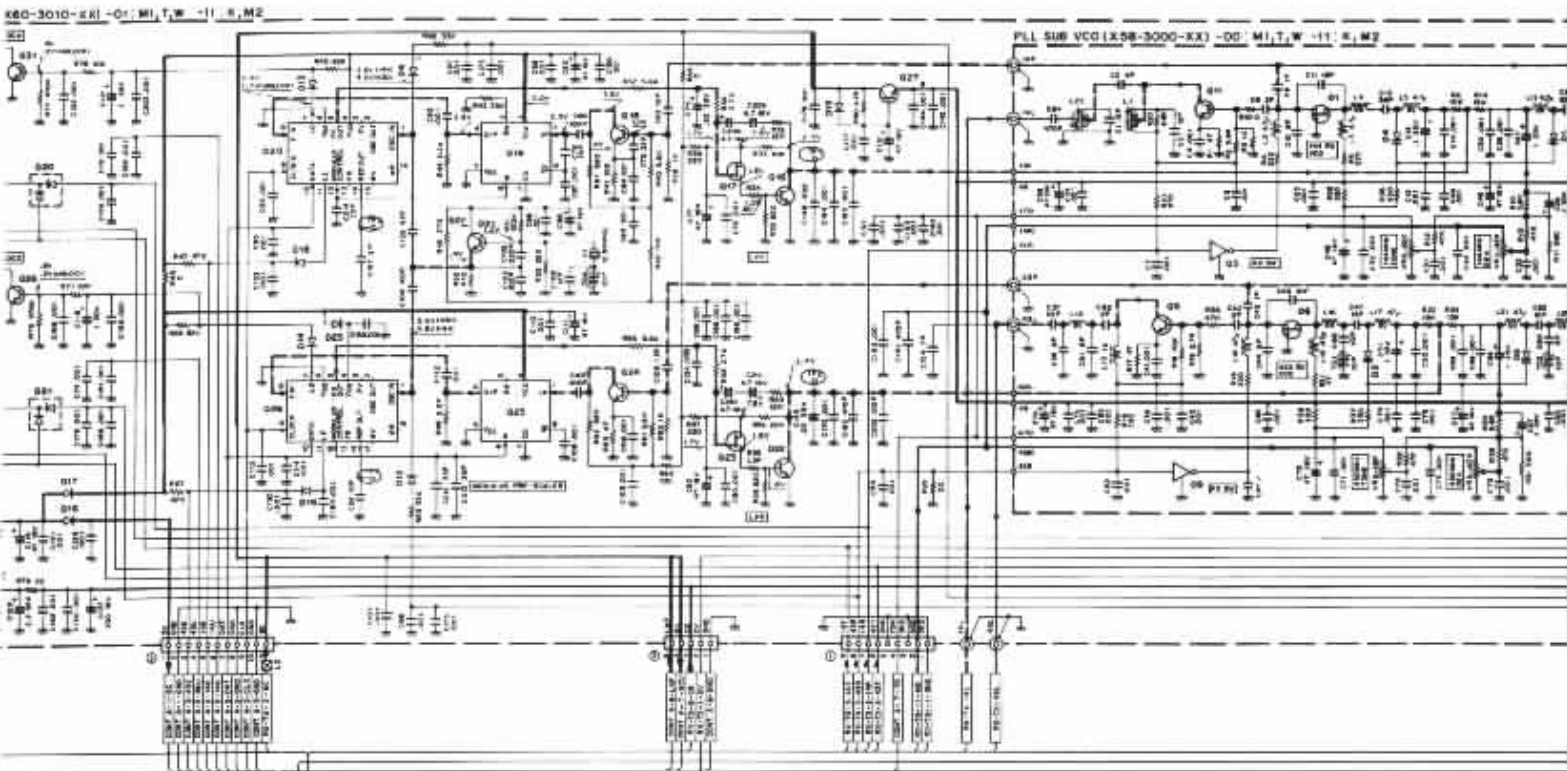
Voltage measurement cc

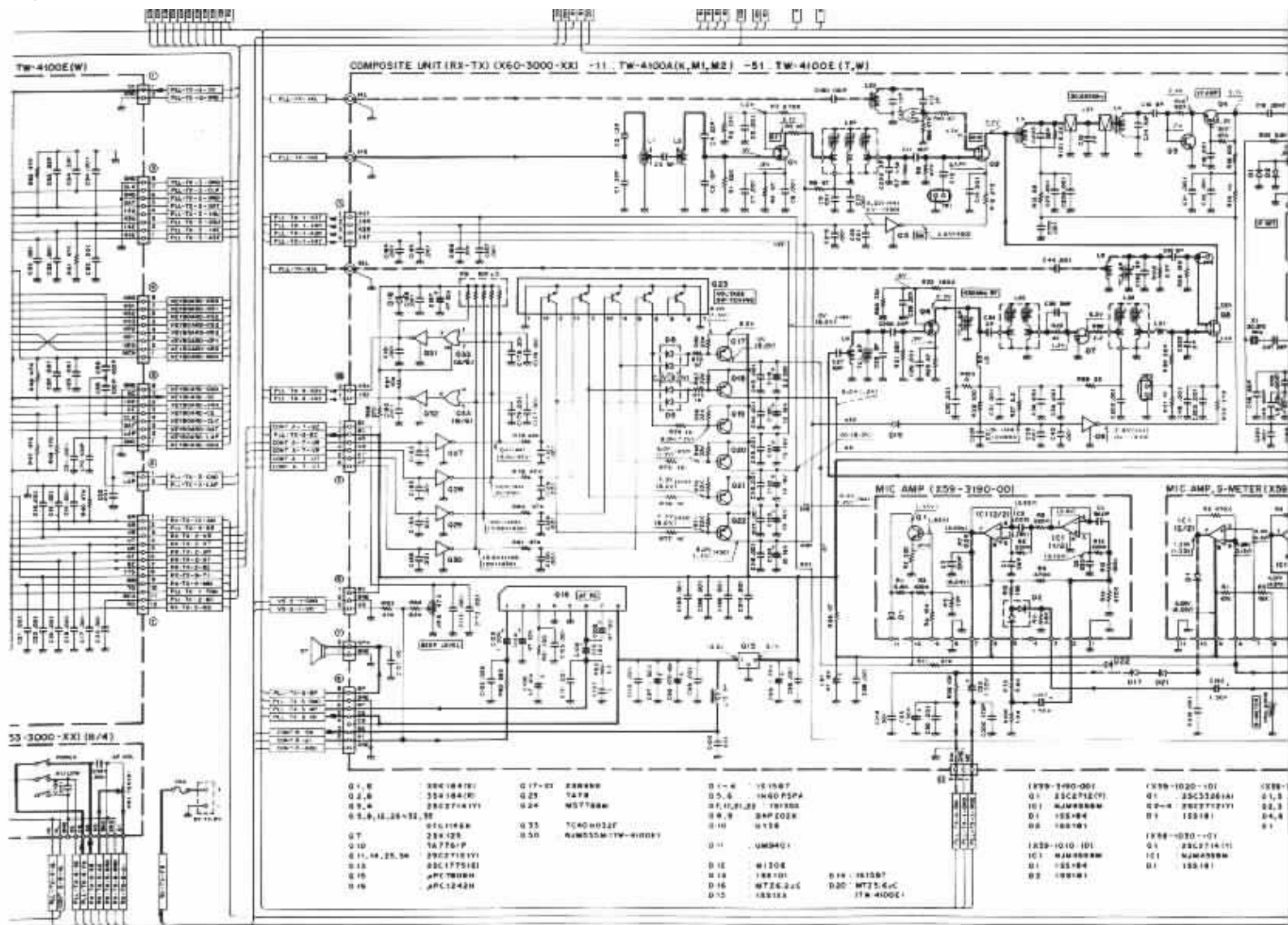




F G H J

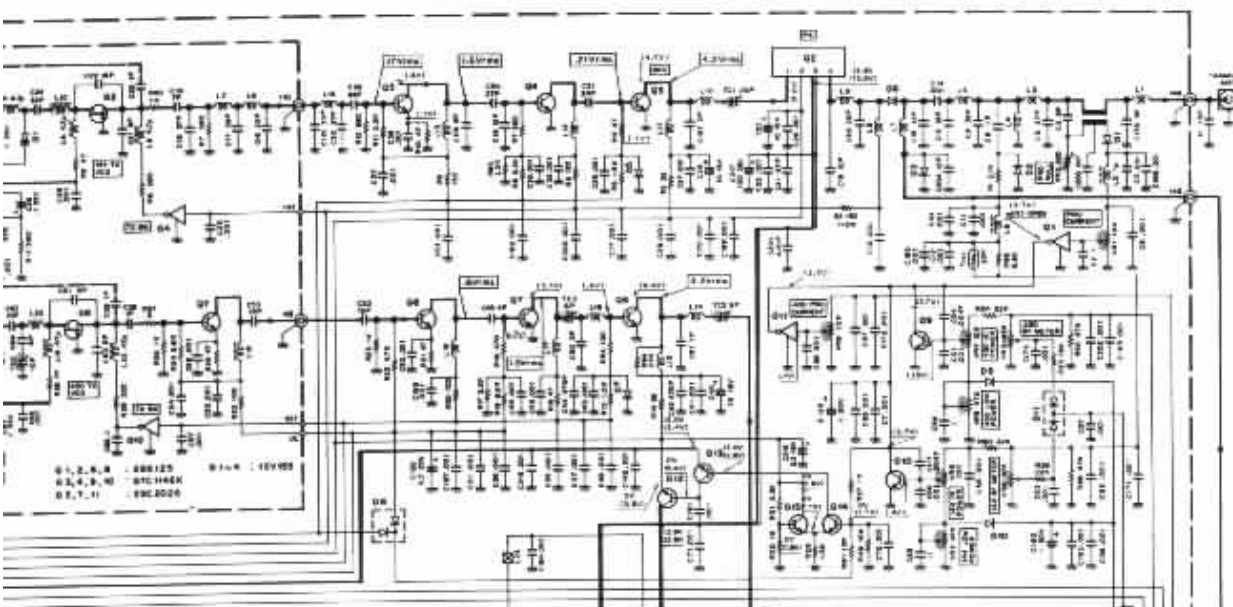
SCHEMATIC DIAGRAM

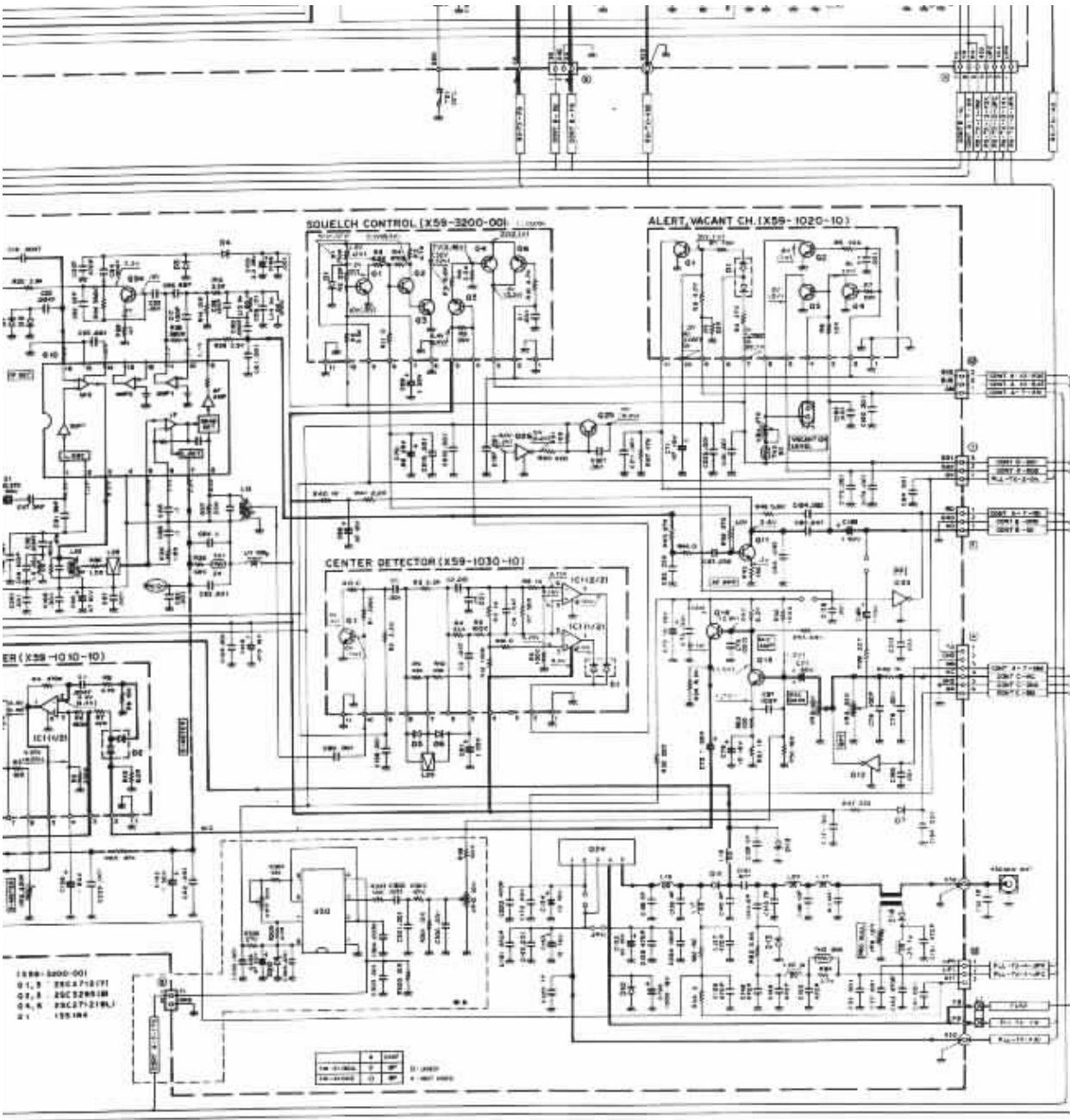




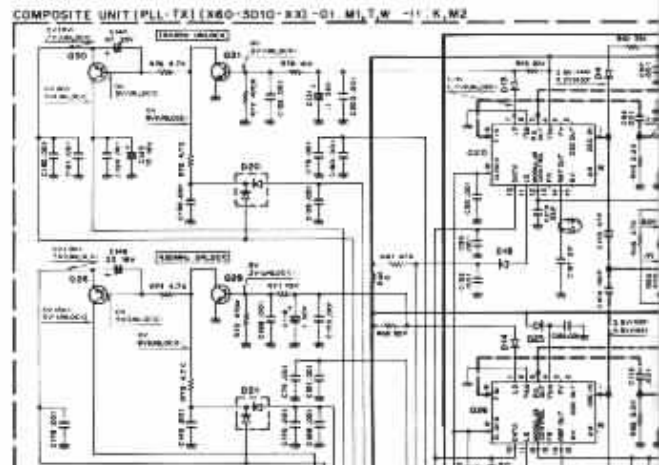
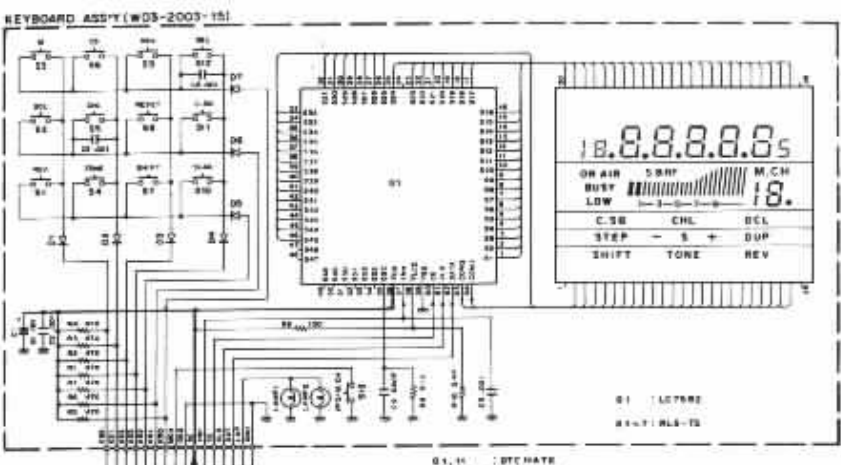
Voltage measurement conditions $f = 145.00\text{MHz}$, 435MHz , RX no signal, () : TX.

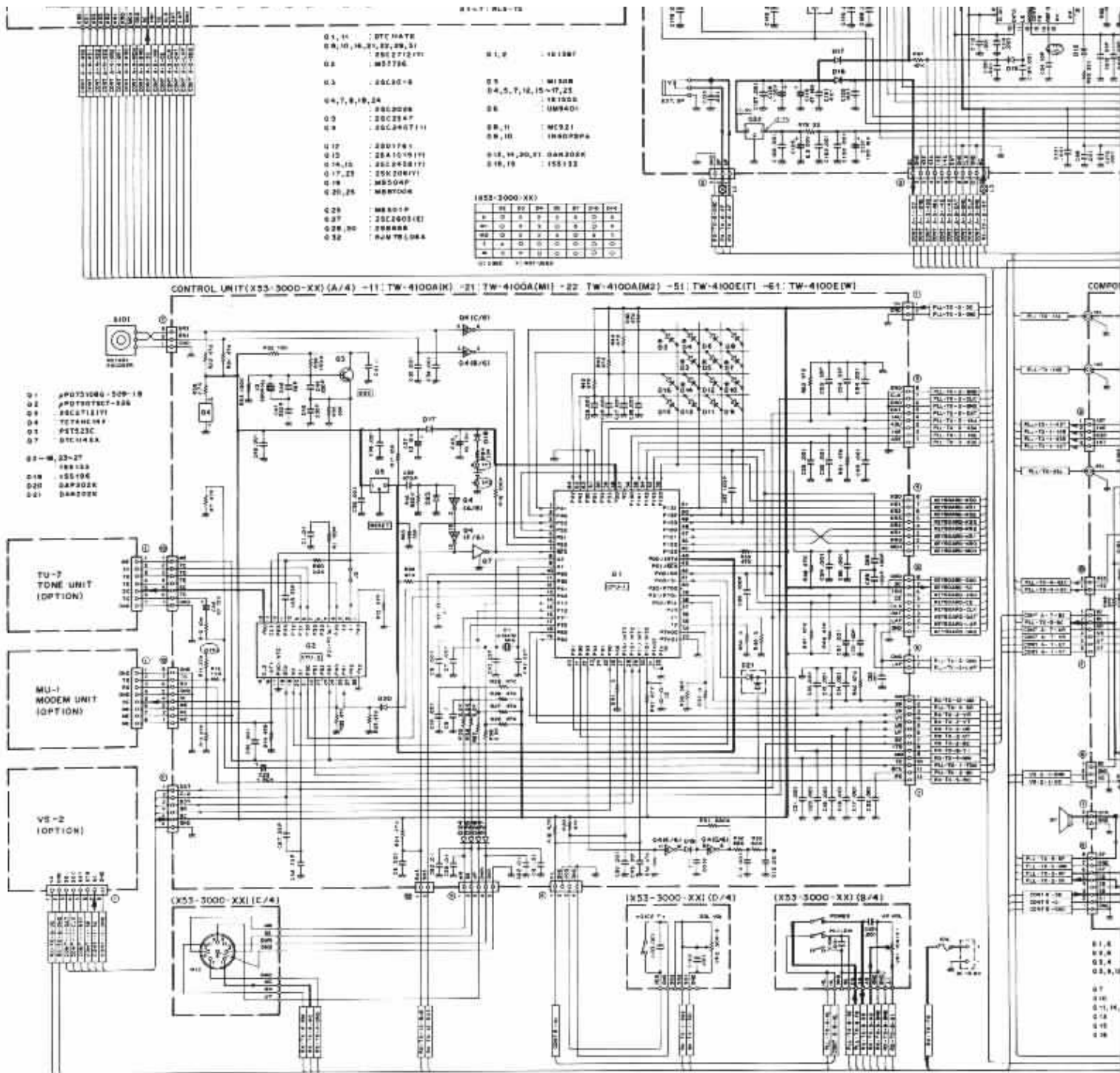
TW-4100A/E





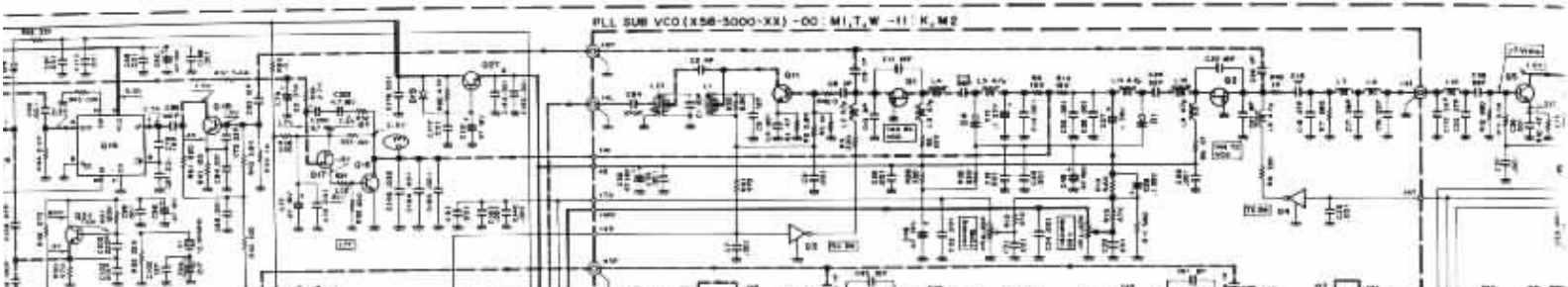
B C D E F G

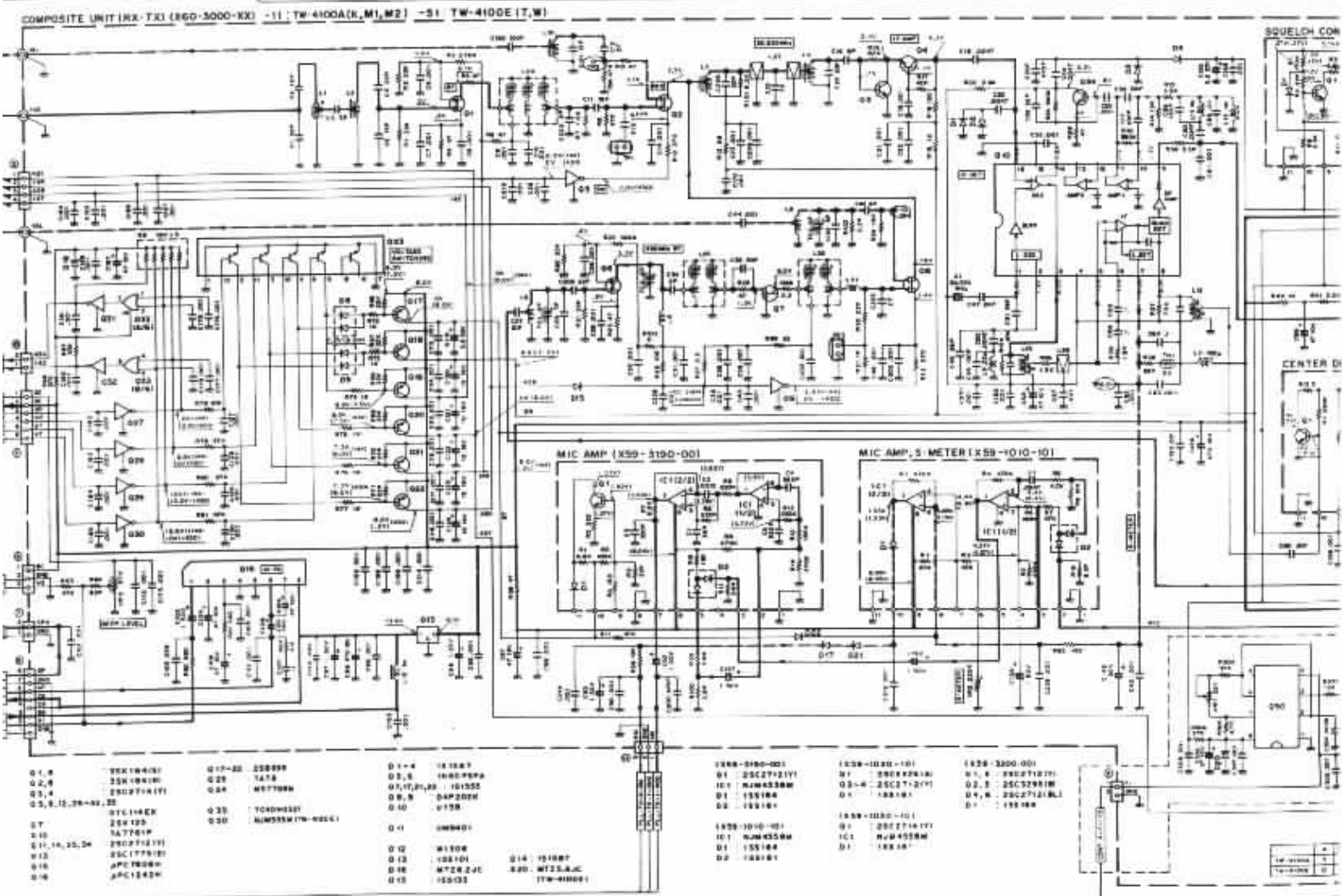
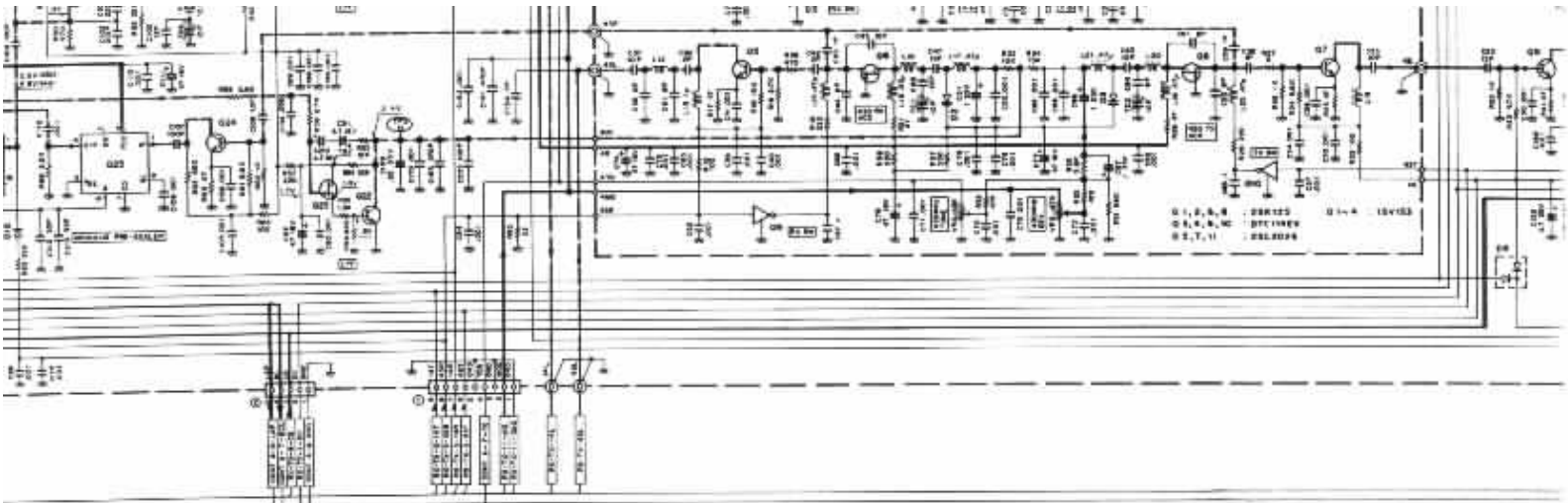




SCHEMATIC DIAGRAM

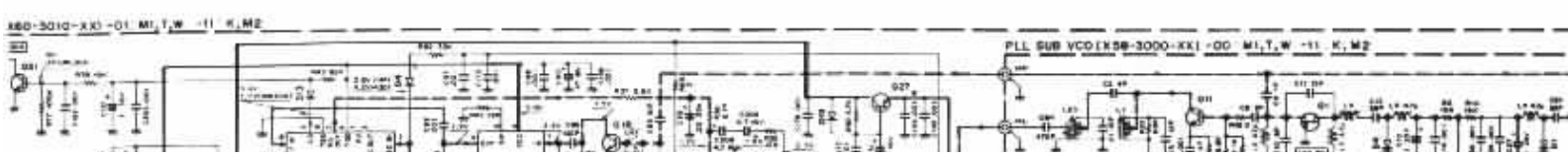
Voltage measurement cc

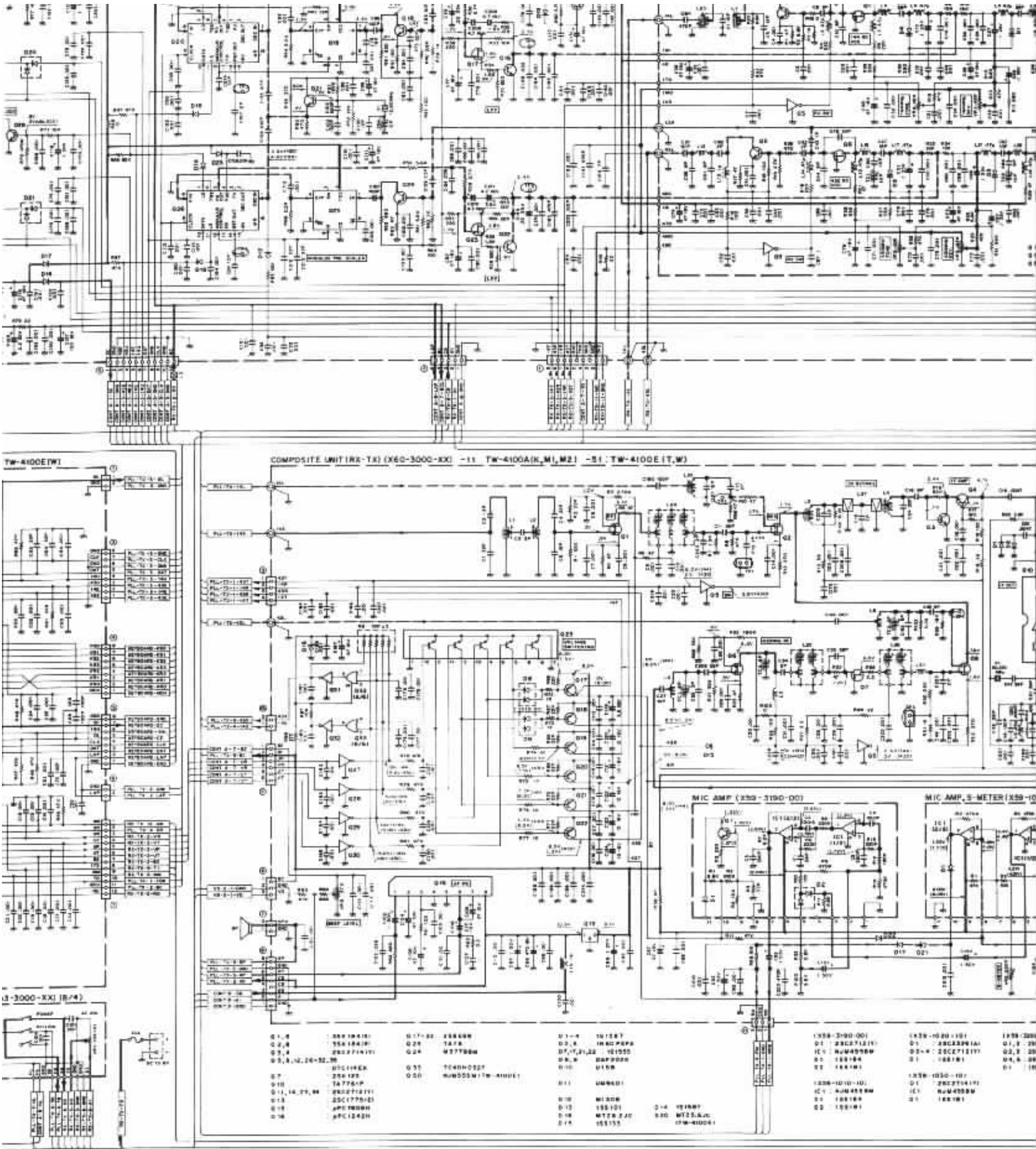




F G H I J K

SCHEMATIC DIAGRAM



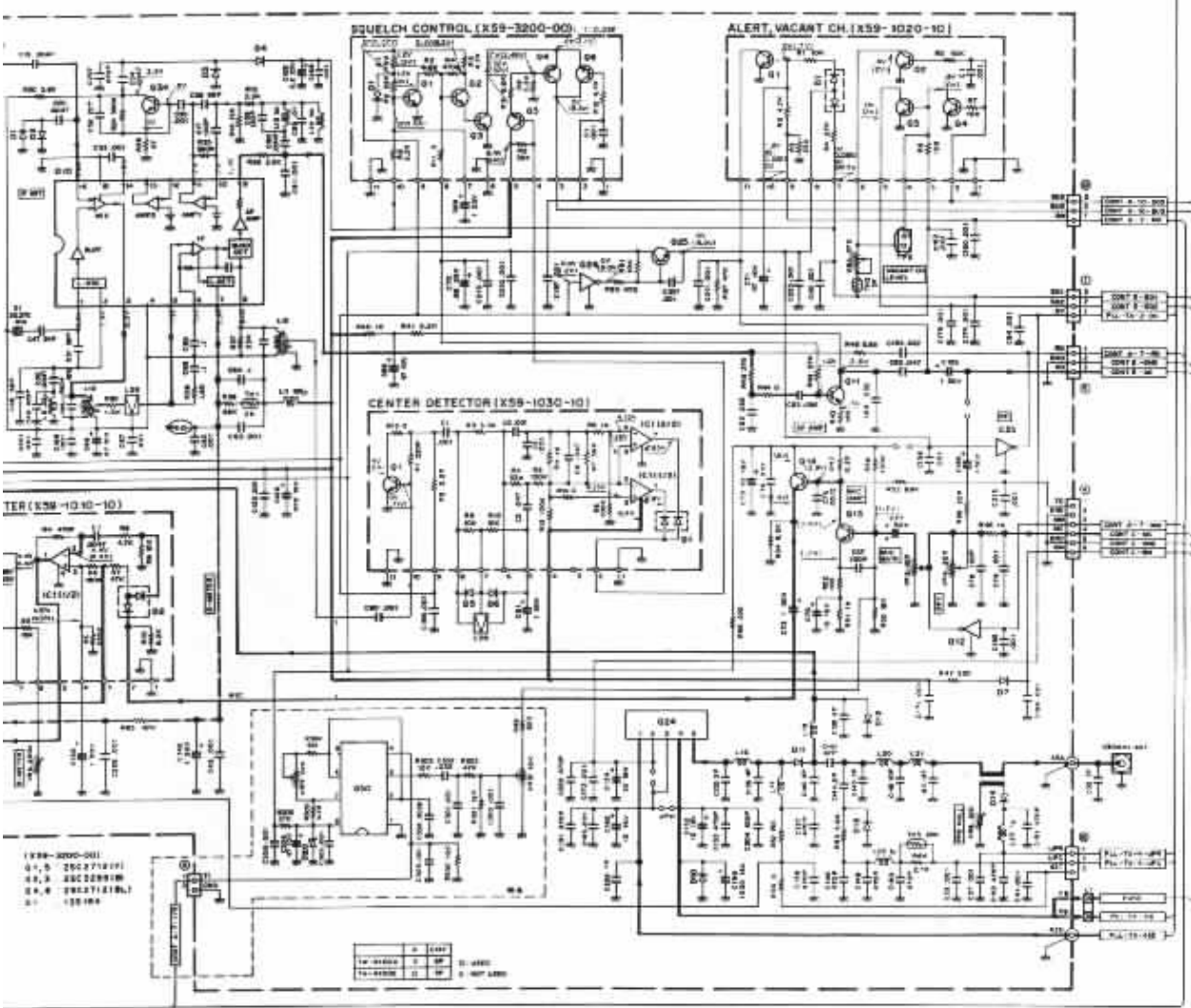
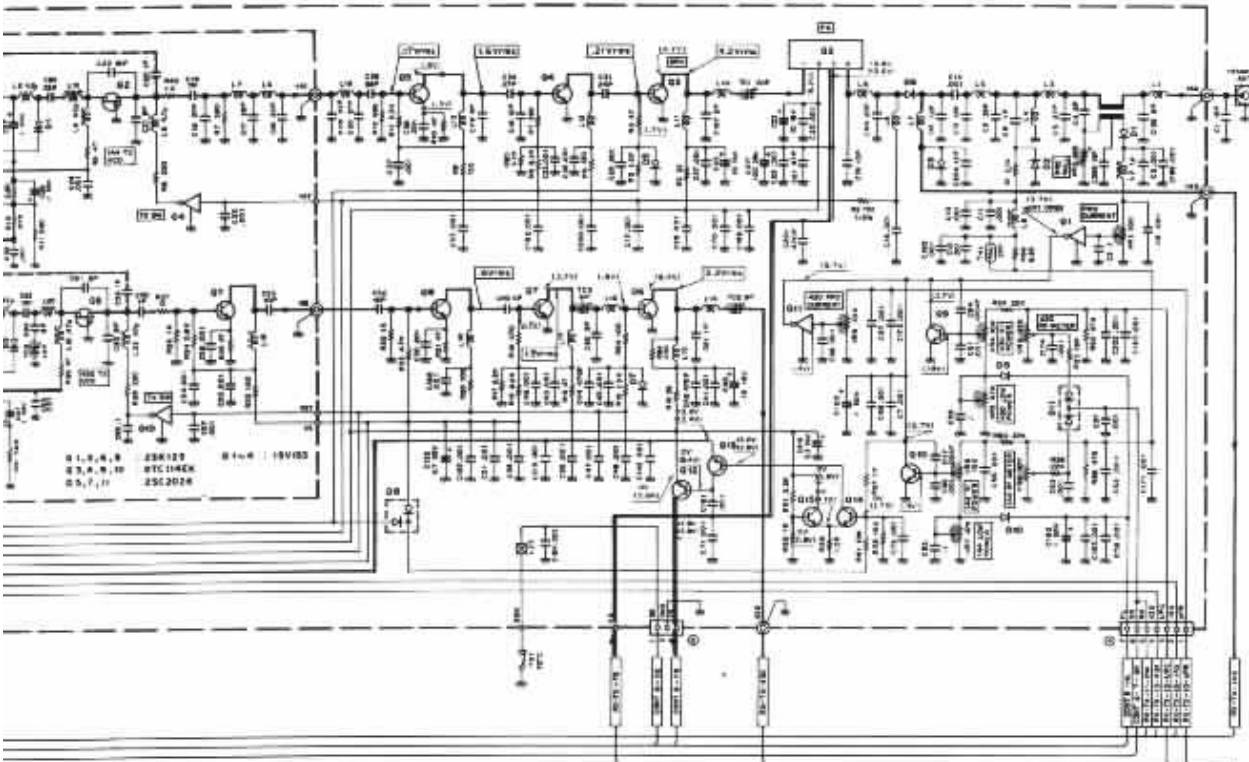


- | | | | | | | | | | |
|-------------------|-----------|--------|----------|-----------|---------|--------------|--------------|----------|----------|
| Q1-6 | 100K10010 | Q17-22 | 456840 | Q71-4 | 101287 | Q138-3190-00 | Q139-1020-10 | Q140-200 | |
| Q2-8 | 55414410 | Q28 | 1270 | Q83-8 | 1000000 | Q1 | 28C71211 | Q1 | 28 |
| Q3-4 | 28C71211 | Q4 | MT7800 | Q71,71,28 | 101000 | IC1 | NUM4000 | Q2-4 | 28C71211 |
| Q5,5,1,2,24-32,36 | | Q55 | TECH0027 | Q8,8 | 2AP9020 | Q2 | 188184 | Q3 | 188181 |
| Q7 | 200122 | Q59 | NUM00517 | Q10 | 1110 | Q3 | 188181 | Q4,6 | 200 |
| Q10 | 1A7764P | Q60 | | Q11 | UM6031 | Q4 | 188181 | Q5 | 188181 |
| Q11,14,20,26 | 28C71211 | | | Q12 | M1208 | IC2 | NUM4000 | Q6 | 188181 |
| Q13 | 28C775101 | | | Q13 | 155101 | Q5 | 188181 | Q7 | 188181 |
| Q16 | APC19000 | | | Q14 | MT7800 | Q6 | 188181 | | |
| Q18 | APC12421 | | | Q15 | 55155 | Q7 | 188181 | | |

K L M N O P

Voltage measurement conditions f = 145.00MHz, 435MHz, RX no signal, () : TX.

TW-4100A/E



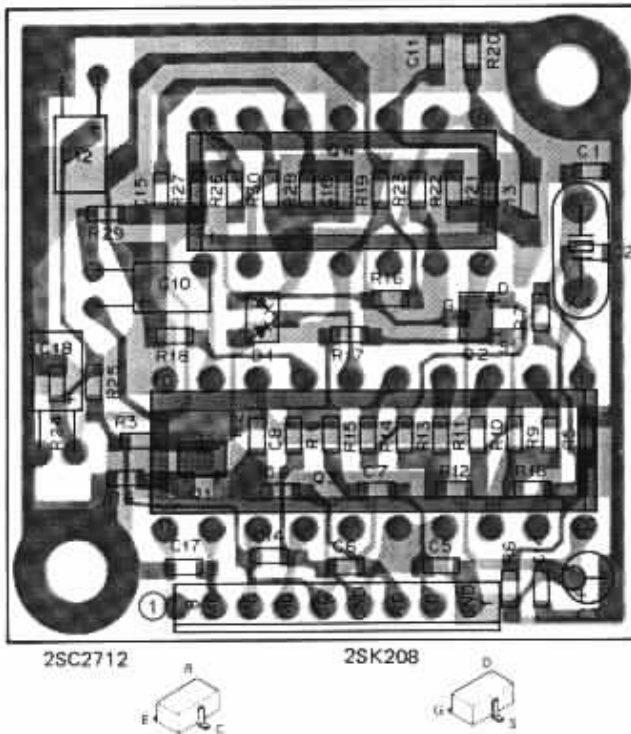
TW-4100A/E

MU-1 (MODEM UNIT)

MU-1 OUTSIDE VIEW



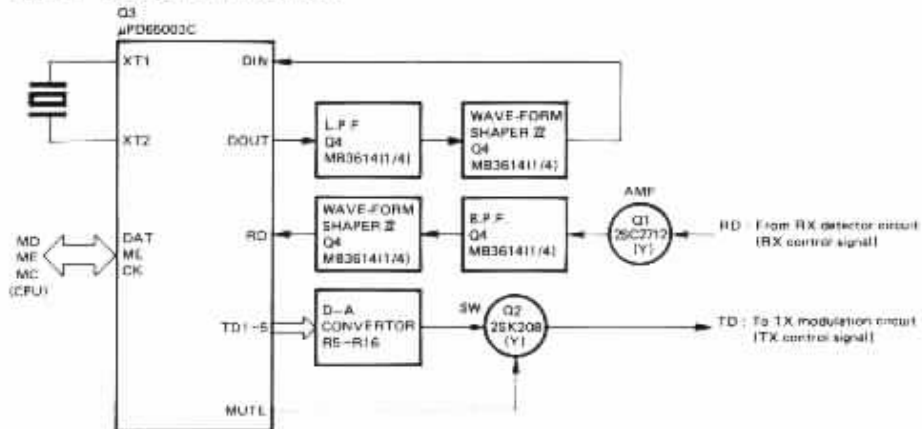
MU-1 PC BOARD VIEW
(X57-1140-20) Component side view



MU-1 PARTS LIST

Part No.	No. in kit	Description	Q'Ty	Ref. No.
MU-1 (GENERAL)				
B50-8046-10	N	Instruction manual	1	
G13-0826-04		Cushion	1	
H01-4680-03	N	Carton (Inside)	1	
H25-0029-04		Protective bag	2	
J32-0791-04		Hex. head boss	1	
N35-2604-41		Binding screw	2	
X57-1140-20	N	MODEM unit	1	
MODEM UNIT (X57-1140-20)				
CC73FCH1H150J		Chip cap. 15P	2	C1,2
CE04CW0J220M		Electro 22 μ 6.3V	1	C18
CE04CW1A100M		Electro 10 μ 10V	2	C3,12
CE04CW1H010M		Electro 1 μ 50V	1	C10
CK73EB1E473K		Chip cap. 0.047 μ	1	C13
CK73FB1H1102K		Chip cap. 0.001 μ	1	C17
CK73FB1H1103K		Chip cap. 0.01 μ	1	C8
CK73FB1H223K		Chip cap. 0.022 μ	7	C1, 7, 8, 11, 14-16
CK73FB1H471K		Chip cap. 470P	2	C5,6
E40-5022-05		Mini-connector 8P	1	
L77-1295-05	N	X'tal oscillator 3.6864MHz	1	X1
RK73FB2A101J		Chip res. 100 Ω	1	R17
RK73FB2A102J		Chip res. 1k Ω	1	R1
RK73FB2A103J		Chip res. 10k Ω	7	R8, 10, 12, 14, 18, 23, 30
RK73FB2A105J		Chip res. 1M Ω	1	R16
RK73FB2A183J		Chip res. 18k Ω	5	R7, 9, 11, 13, 15
RK73FB2A221J		Chip res. 220 Ω	1	R4
RK73FB2A223J		Chip res. 22k Ω	1	R26
RK73FB2A393J		Chip res. 39k Ω	2	R5, 6
RK73FB2A394J		Chip res. 390k Ω	1	R2
RK73FB2A472J		Chip res. 4.7k Ω	4	R3, 20, 24, 25
RK73FB2A682J		Chip res. 6.8k Ω	5	R21, 22, 27-29
RK73FB2A683J		Chip res. 68k Ω	1	R19
ZSC2712(Y)		Chip TR	1	Q1
2SK208(Y)		Chip FET	1	Q2
μ PD66003C 020		IC	1	Q3
M83614		IC	1	Q4
DAN202(K)		Chip diode	1	D1

MU-1 BLOCK DIAGRAM



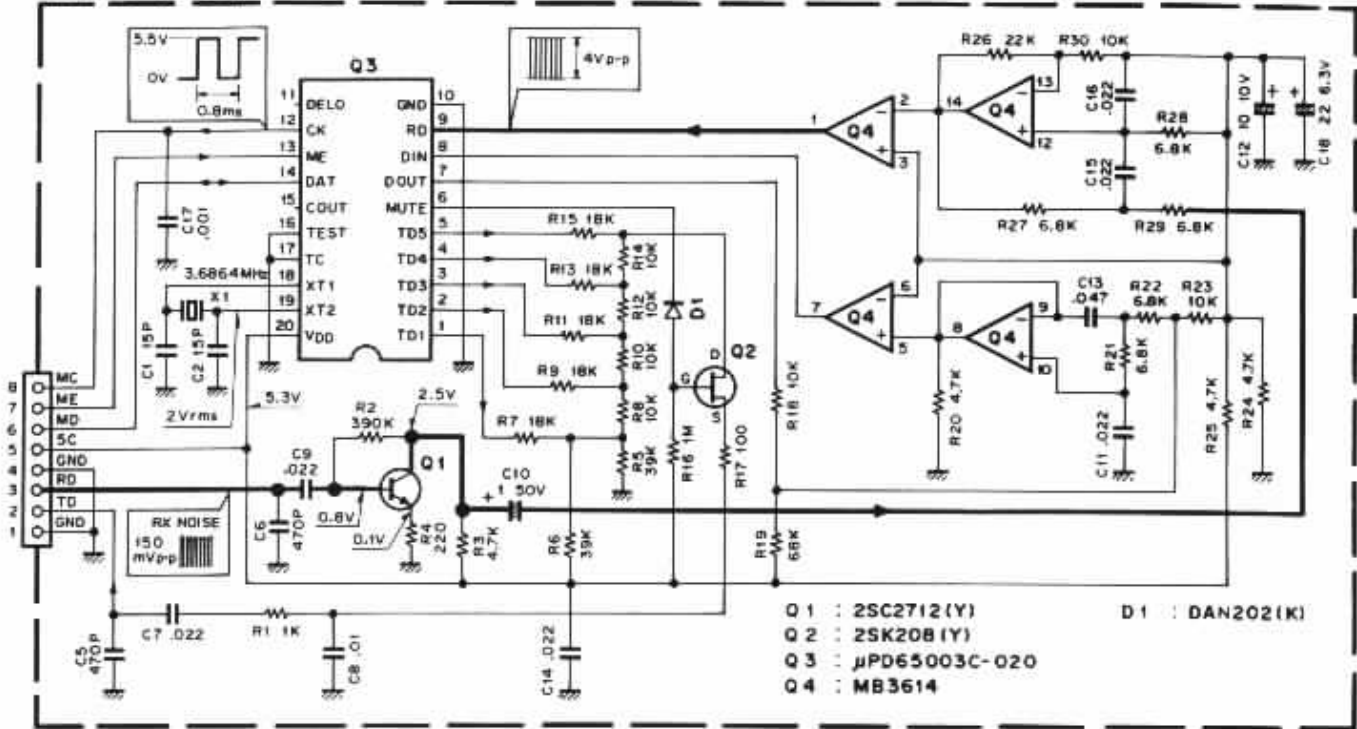


TW-4100A/E

MU-1 (MODEM UNIT)/MB-11 (MOUNTING BRACKET)

MU-1 SCHEMATIC DIAGRAM

(X57-1140-20)



● Modulation output (TD terminal output on MODEM unit)

Condition		TD terminal output	
ME	MD	Frequency (Hz)	Output voltage (V)
5V	5V	1,200	1.3 ± 0.15
5V	0V	1,800	1.1 ± 0.15

● Demodulation output

Operation condition (RD terminal) : 40mV±3dB
 (Confirm DAT terminal voltage by receiving a 60dBμ signal from SSG)

SSG MOD. frequency	DAT terminal voltage
1,200Hz	5V
1,800Hz	0V

MB-11 OUTSIDE VIEW



MB-11 PARTS LIST

Parts No.	New parts	Description	Qty	Ref. No.
B50-8089-00		Insuruction manual	1	
G13-0836-04		Cushion	2	
H01-8023-03		Item cartoon box	1	
H13-0809-03		Protection platu	1	
H25-0105-04		Protection bag	1	



H13-0809-03	Protection plate	1	
H25-0105-04	Protection bag	1	
J29-0414-02	Bracket	1A	
N99-0315-04	Screw ass'y	1A	

TW-4100A/E

TU-7 (TONE UNIT)

TU-7 OUTSIDE VIEW



TU-7 INSTALLATION AND TONE FREQUENCY SETTING PROCEDURE

Available CTSS tone frequencies

Hz	Hz	Hz
67.0	114.8	192.8
71.9	118.8	203.5
74.4	123.0	210.7
77.0	127.3	218.1
79.7	131.8	225.7
82.5	136.5	233.6
85.4	141.3	241.8
88.5	146.2	250.3
91.5	151.4	
94.8	156.7	
97.4	162.2	
100.0	167.9	
103.5	173.8	
107.2	179.9	
110.9	186.2	

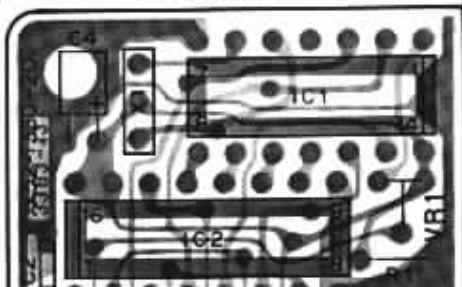
Refer to the instruction manual provided with the transceiver.

TU-7 PARTS LIST

Part No.	Re. marks	Description	Q'Ty	Ref. No.
TU-7 (GENERAL)				
B50-8045-00	N	Instruction manual	1	
E31-3150-05	N	Cable assembly	1	
G13-0826-04	N	Cushion	1	
G31-0826-04		Foam spacer	1	
H01-4679-03	N	Carton (Inside)	1	
H25-0029-04		Protective bag	2	
J32-0791-04	N	Hex. head boss	1	
N35-2604-41		Binding screw	2	
X52-1330-20	N	Tone unit	1	
TONE UNIT (X52-1330-20)				
CE04CW1A100M		Electro 10μ 10V	1	C4
CK73EB1H473K		Chip cap. 0,047μ	1	C2
C91-0757-05		Ceramic 0,001μ	1	C3
E40-5021-05		Mini-connector 7P	1	
L78-0018-05	N	Ceramic oscillator	1	X1
R12-3445-05		Trimming pot. 47kΩ	1	VR1
MB88306	N	IC	1	IC2
S7116A	N	IC	1	IC1

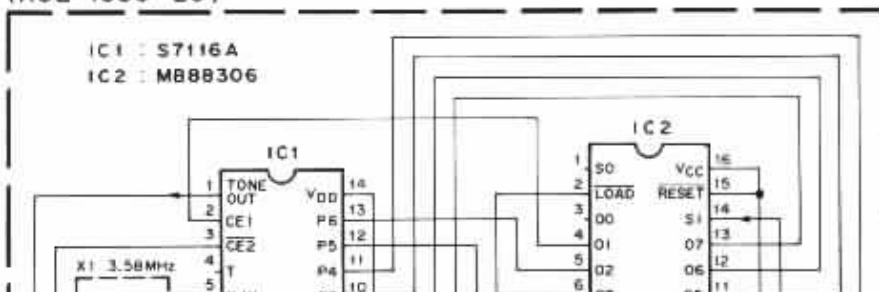
TU-7 PC BOARD VIEW

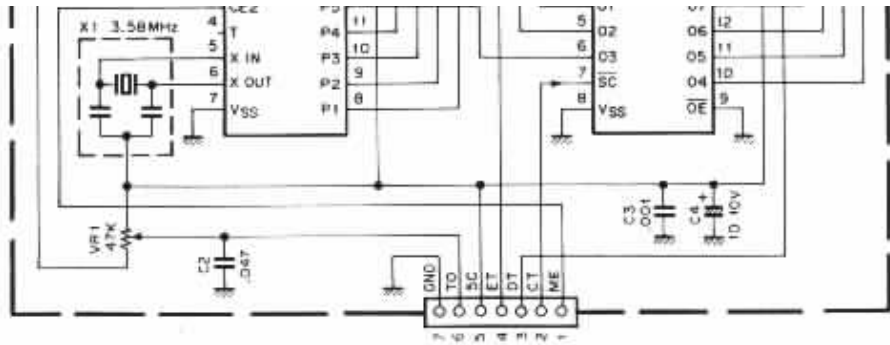
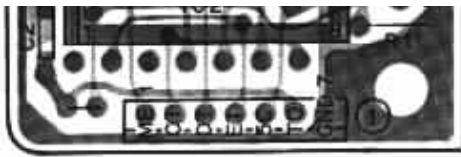
(X52-1330-20) Component side view



TU-7 SCHEMATIC DIAGRAM

(X52-1330-20)





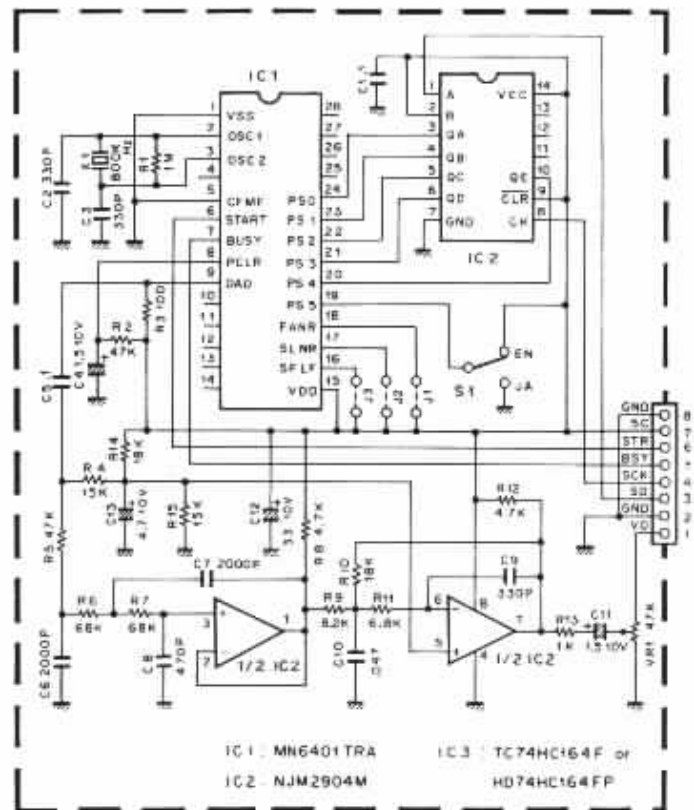
TW-4100A/E

VS-2 (VOICE SYNTHESIZER)

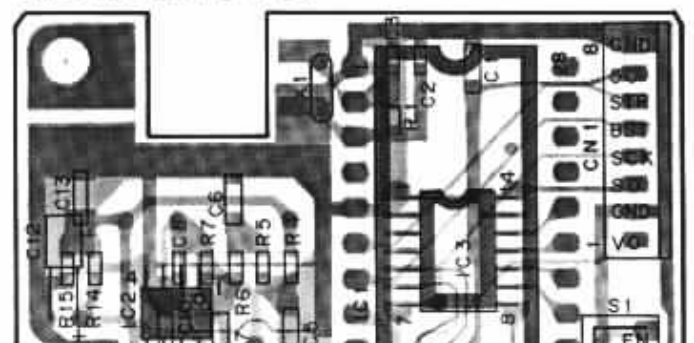
VS-2 PARTS LIST

Parts No.	New Parts	Description	Ref. No.
VS-2			
B50-8095-00	*	Instruction manual	
G13-0645-04		Cushion Accessory	
H01-8025-03	*	Item carton box	
H25-0029-04		Protection bag	
N32-2004-41		Flat screw	
N35-2604-41		Bind screw x 3	
X42-3000-00	*	Accessory unit	
ACCESSORY UNIT (X42-3000-00)			
CC73ECH1H202J		Chip C 2000pF J	C6,7
CC73FCH1H331J		Chip C 330pF J	C2,3,9
CC73FCH1H471J		Chip C 470pF J	C8
CE04CW1A330M		Electro 33μF 10WV	C12
CK73EB1E104K		Chip C 0.1μF K	C1,5
CK73EB1H473K		Chip C 0.047μF K	C10
C92-0009-05	*	Chip tantal 4.7μF 10WV	C13
C92-0501-05	*	Chip tantal 1.5μF 10WV	C4,11
E40-5022-05		Pin ass'y 8P	CN1
J21-4146-04		Mounting hardware	
L78-0006-05		Ceramic oscillator	X1
RK73FB2A101J		Chip R 100 J 1/10W	R3
RK73FB2A102J		Chip R 1k J 1/10W	R13
RK73FB2A105J		Chip R 1M J 1/10W	R1
RK73FB2A153J		Chip R 15k J 1/10W	R4,15
RK73FB2A183J		Chip R 18k J 1/10W	R10,14
RK73FB2A472J		Chip R 4.7k J 1/10W	R8,12
RK73FB2A473J		Chip R 47k J 1/10W	R2,5
RK73FB2A682J		Chip R 6.8k J 1/10W	R11
RK73FB2A683J		Chip R 68k J 1/10W	R6,7
RK73FB2A822J		Chip R 8.2k J 1/10W	R9
R12-3457-05	*	Trimming pot. 47k	VR1

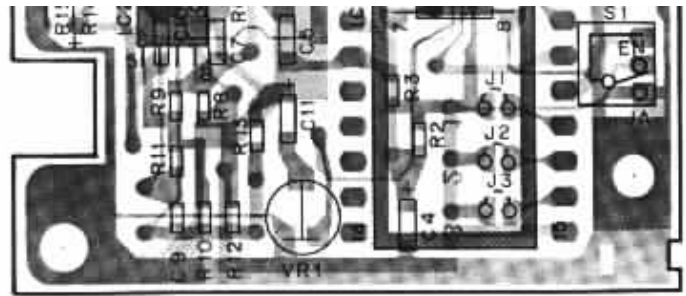
VS-2 SCHEMATIC DIAGRAM



VS-2 PC BOARD VIEW



R12-3457-05	• Trimming pot.	47k	VR1
S31-1418-05	• Slide switch		S1
MN6401TRA	IC		IC1
NJM2904M	IC		IC2
TC74HC164FP	• IC		IC3
HD74HC164FP	• IC		IC3



TW-4100A/E

SPECIFICATIONS

Specifications		Model	TW-4100A		TW-4100E	
			K1,M2	M1	T1,W1	
General	Frequency range		144 to 148MHz 440 to 450MHz	144 to 146MHz 430 to 440MHz	144 to 146MHz 430 to 440MHz	
	Mode		FM (F3E, F2D for control signal of the DCL system)			
	Antenna impedance		50 ohms			
	Operating temperature		13.8V DC ± 15%			
	Grounding		Negative			
	Current drain	Receive mode with no input signal		0.6A		
		Transmit mode (Max.)		9.5A		
	Frequency stability (-10°C to +50°C)		Better than ± 15 x 10 ⁻⁴			
	Operating temperature		-20°C to +50°C (-4°F to +122°F)			
	Dimensions (Projections included, W x H x D mm)		150 x 50 x 214			
Weight		1.8kg (3.96lbs)				
Transmitter	Output power*	HI 2m/70cm	45W/35W			
		LOW	5W			
	Modulation		Reactance modulation			
	Spurious radiation		Less than -60dB			
	Max. frequency deviation (FM)		± 5kHz			
	Audio distortion (FM, at 60% modulation)		Less than 3% (300Hz to 3000Hz)			
Microphone impedance		500 to 600 ohms				
Receiver	Circuitry		Double conversion			
	Intermediate frequency	1st IF	30.825MHz			
		2nd IF	455kHz			
	Sensitivity (12dB SINAD) 2m/70cm		Less than 0.2µV/Less than 0.16µV			
	Selectivity	-6dB	More than 15kHz			
		-60dB	Less than 30kHz			
	Spurious response		Better than 60dB			
	Squelch sensitivity		Less than 0.16µV			
Output		More than 2W across 8 ohms load (5% distortion)				
External speaker		8 ohms				
L control	Code		NRZ equal length code			
	Modulation		MSK modulation			
	Frequency deviation		± 3.5kHz (Reference)			
	Mark frequency and deviation		1200Hz, ± 2 x 10 ⁻⁴			

DC1 eo	Mark frequency and deviation	1200Hz, $\pm 2 \times 10^{-4}$ *
	Space frequency and deviation	1800Hz, $\pm 2 \times 10^{-4}$ *
	Code transmission speed and deviation	1200 bits/second, $\pm 2 \times 10^{-4}$ *

Notes :

1. Circuit and ratings are subject to change without notice due to advancements in technology.
2. * : Recommended duty cycle
 - 1 minute : Transmission
 - 3 minutes : Reception

KENWOOD CORPORATION

Shionogi Shibuya Building, 17-5, 2-chome Shibuya, Shibuya-ku, Tokyo 150, Japan

KENWOOD U.S.A. CORPORATION

2201 East Dominguez Street Carson, CA 90810, U.S.A.

KENWOOD COMMUNICATIONS

DIVISION OF KENWOOD ELECTRONICS, DEUTSCHLAND GMBH

Rembrucker Str. 15, 6056 Heusenstamm, West Germany

KENWOOD ELECTRONICS, BENELUX N.V.

Mechelsesteenweg 418 B-1930 Zaventem, Belgium

KENWOOD ELECTRONICS, AUSTRALIA PTY. LTD.

4E. Woodcock Place, Lane Cove, N.S.W. 2066, Australia