

SERVICE MANUAL

TR-9130

2m ALL MODE TRANSCEIVER



CONTENTS

CIRCUIT DESCRIPTION.....	2	RX Unit (X55-1320-00,11).....	21
PARTS LIST.....	8	CAR Unit (X50-1870-11,51,61).....	22
PACKING.....	14	Control Unit (X53-1210-11,62).....	22
DISASSEMBLY.....	15	ADJUSTMENTS.....	24
PC BOARD VIEWS		LEVEL DIAGRAM.....	31
Switch Unit (X41-1400-11).....	18	BLOCK DIAGRAM.....	32
Final Unit (X45-1240-110).....	18	SCHEMATIC DIAGRAM.....	33
Drive Unit (X47-1090-11,61).....	19	REFERENCE DATA.....	35
PLL Unit (X50-1860-00).....	20	SPECIFICATIONS.....	BACK COVER

CIRCUIT DESCRIPTION

Receiver Circuit Configuration

The front end employs a dual gate MOS FET Q1: 3SK76 and a helical resonator, L3. The first mixer (Q2: 3SK74), followed by a 2-stage MCF (Monolithic Crystal Filter) XF1, provides excellent two-signal characteristics and high sensitivity.

The IF signal from the MCF is applied to both SSB and FM circuits. The SSB signal, having passed through the NB (Noise Blanker) D7, D8 gate and crystal filter XF2 (10H2.2SD) is amplified by IF amplifiers Q11 – Q13 and demodulated into an audio signal by the product detector D10 ~ D13.

In the NB circuit, the signal from the MCF XF1 is differential by Q3 and Q4 and is then applied to the second mixer, Q5. The noise signal, converted to a 455kHz signal, is limited by D2, D3, two-stage amplified by Q7, Q8 rectified by D4, D5, and operates the NB gate through Q10, a switch transistor. Q9 is the N.B. AGC amplifier. The NB on/off control is located on the front panel.

The AGC picks up the signal from the IF final stage Q13, amplifies the signal by Q14, rectifies this by D14, D15. It is then DC amplified by Q15, and the AGC voltage is applied to the three stages of IF amplifier Q11 – Q13: 3SK73 and the RF amplifier Q1: 3SK76. It is also used to drive the meter. Q17 is the signal meter amplifier, Q18 is the meter driver. The time constant is automatically selected according to the mode by Q16, D16: FAST for CW and SLOW for SSB.

The SSB squelch is a noise type utilizing an FM squelch circuit. The SSB IF signal is picked up from the AGC buffer amplifier Q14, amplified by Q19, and converted to a 455kHz signal by Q20. This signal is applied to the FM IF amplifier, effecting squelch on/off operation according to the noise level component above the normal 3kHz limit needed for voice communication in the same manner as the FM squelch operates. Thus, in SSB mode, the FM IF amplifier is also operated by this signal. The squelch on/off timing is controlled by Q29 – Q30 and C120. The scan stop signal for both SSB and FM is sent to the microprocessor.

In the FM circuit, the signal, having passed through the ceramic filter CFI CFW-455F (K/M type) or CFW-455E (W/T type), is amplified by IF amplifiers Q21: TA7060, Q22-23: 2SC1675(L), Limiter amplifiers Q24, 25: 2SC1675(L), then detected by ceramic discriminator L30 and diodes D27, 28.

In all modes, the detected AF signal is amplified by Q35: 2SC1815(Y), passed through the active LPF Q36: 2SC1815(Y) AF GAIN controlled, and power amplified by Q38: MB3713 to drive the speaker.

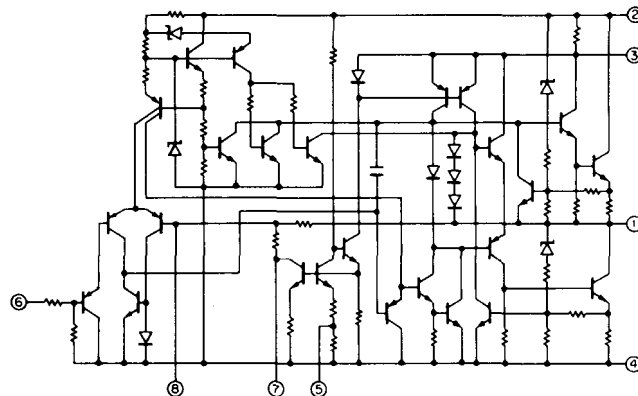


Fig. 1 MB3713 Equivalent circuit (RX unit Q38)

Item	Rating	
	CFW455E	CFW455F
Nominal center frequency	455 kHz	455 kHz
6 dB bandwidth	± 7.5 kHz or more	± 6 kHz or more
50 dB bandwidth	± 15 kHz or less	± 12.5 kHz or more
Ripple (within 455 ± 5 kHz)	3 dB or less	3 dB or less
Loss	6 dB or less	6 dB or less
Guaranteed attenuation (within 455 ± 100 kHz)	35 dB or more	35 dB or more
Input and output impedance	1.5 kΩ	2.0 kΩ

Table 1. Ceramic filter (L72-0315-05) CFW455F (K,M-type)
(L72-0316-05) CFW455E (W,T-type)
(RX Unit : CF1)

Item	Rating
Nominal center frequency (fo)	10.695 MHz
Center frequency	Within fo ± 200 Hz at 6 dB
Pass bandwidth	2.2 kHz or less at 6 dB
Attenuation bandwidth	± 1.5 kHz or less at 20 dB ± 2.4 kHz or less at 60 dB
Ripple	Less than 2 dB
Loss	Less than 5 dB
Guaranteed attenuation	60 dB or more within ± 40 kHz
Input and output impedance	600Ω ± 10%/15 pF ± 10%

Table 2. Crystal filter (L71-0215-05) 10H2.2SD
(RX Unit : XF2)

Item	Rating
Nominal center frequency (fo)	10.695 MHz
Pass bandwidth	± 7.5 kHz or more at 3 dB
Attenuation bandwidth	± 25 kHz or less at 40 dB ± 45 kHz or less at 60 dB
Guaranteed attenuation	1. 70 dB or more within ± 1 MHz 2. Spurious level = 40 dB or more at fo ~ fo + 500 kHz 3. Spurious level = 80 dB or more at fo - (910 kHz ± 10 kHz)
Ripple Loss	1.0 dB or less 1.5 dB or less
Impedance	3 kΩ/0 pF

Table 3. MCF (L71-0216-05)
(RX Unit : XF1)

CIRCUIT DESCRIPTION

Transmitter Circuit Configuration

The signal from the microphone is amplified by Q1: 2SC2240(GR) which is common to both SSB and FM circuits. The SSB signal is fed to the RX unit, where it first passes through the SSB MIC GAIN trimmer VR5 is two-stage amplified by Q39 – 40: 2SC1815(Y), and then enters the balanced modulator D39 ~ D42 together with the carrier (10.695MHz) amplified by Q41. The modulator is balanced by VR7 and TC2, for minimum unwanted carrier in SSB. The resulting DSB signal from the modulator is buffer amplified by Q42: 2SK61(GR) and is converted to an SSB signal after passing through the crystal filter. After one stage of amplification by Q44, this is applied to the transmitter balanced mixer Q5 – 6: 2SK61(GR) on the TX unit.

In the FM mode, the audio signal from the first mic amplifier Q1 is limiter-amplified by Q2: TA7061AP, then directly modulates the crystal oscillator (L2) output at 10.695 MHz Q3 is the Oscillator, and Q4 an emitter follower. Audio is applied to varactor diode D1: 1S2208. The subsequent circuit configuration is common in all modes. The signal, having passed through the TX mixer Q5, Q6 is band-pass filtered to remove the unwanted spurious signal component.

The BPF is tuned by varactor diodes D3 ~ D6, controlled by the PLL (phase-locked loop) VCO (voltage-controlled oscillator) correction voltage. The BPF output is amplified by Q7: 3SK74(L) (also tuned from the PLL by D7), and drives the final unit via Q8: 2SC2538. D8 provides bias stabilization for Q8.

The ALC samples the signal output from the driver Q8. This is rectified by diodes D9, D10 and amplified by Q9: 2SC2603(E), and applied to both the second gate of the predriver Q7 and IF amplifier Q44. The source voltage of predriver Q7 is controlled for HI/LOW power switching and protection operation in FM/CW mode.

For CW keying, the B + line to the transmitter balanced mixer is controlled through predriver Q21, which is controlled by switching Q20: 2SA1015(Y). CW break-in is performed by Q19 ~ Q16. At key-down, Q19 turns on to charge C79, which holds Q18 on (delay adjustment is VR7). Q18 then controls Q16, which switches the ST (PTT) line to ground, turning on the transmitter.

The signal, having entered the final unit, is power amplified by the power module M57727 and delivered to the antenna through the TX antenna switch diode D1: MI402 LPF (low pass filter) and protector directional coupler. The M57727 provides stable characteristics due to controlled power and idle current, IMD (intermodulation distortion) and f-characteristic.

Item	Symbol	Tc(°C)	Rated value
Operating voltage	Vcc	25	17V
Current consumption	Icc	25	10A
Operating case temperature	Tc(op)	-	-30 ~ +110°C
Storage temperature	Tstg	-	-40 ~ +110°C
Base bias voltage	VBB	25	10V

Table 4. Power module M57727 (V30-1239-86)

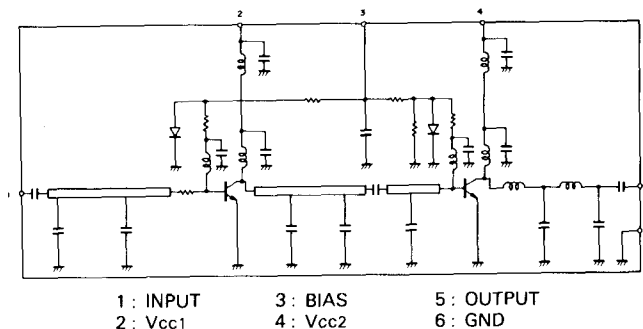


Fig. 2 Power module M57727 Equivalent circuit

PLL Circuit (X50-1860-00)

Fig. 3 shows the basic configuration of the PLL circuit. The signal generated by the VCO (Q9: 2SK19 (GR)), after passing through the buffer amplifiers Q10: 2SC1923(O) and Q11: 2SK61(GR), is mixed with the HET (heterodyne) signal by Q12: 2SC1923(O) where it is converted to a 5.5 to 9.49 MHz (K,M), 7.49 MHz (W,T) signal. This signal is amplified by Q3 – Q5: 2SC1675(L) and applied to Q6: TC9125BP. IC Q6 functions as a phase comparator, frequency-divider, and program counter. It compares the phase of the data (1 Mz, 100 kHz, 10 kHz) from the control unit with the phase of the 10 kHz reference signal obtained by dividing down the 9 MHz crystal oscillator. Any error from the reference is output from Q6 as a correction voltage for the VCO. This voltage, having passed the active low-pass filters Q7 and Q8, is applied to the VCO varactor diode to control the VCO Q9.

The 14.2 MHz component of the VCO HET signal is generated by the crystal oscillator Q1: 2SC1675(L) and the signal is multiplied to 127.8 MHz by D2: 1SS99 and input to the mixer Q2: 2SC1923(O).

The frequency of the crystal oscillator is controlled by D1: 1SV54GC. A DC signal corresponding to the 0 to 9.9 kHz signal from the control unit (X53-1210-11/62) is applied to this diode to vary the frequency in the 0 – 9.9 kHz range. The frequency shift in each mode is performed by the microprocessor, the output being f_{LSB} + 3.0 kHz for f_{USB}, and f_{LSB} + 1.5 kHz for f_{FM}.

CIRCUIT DESCRIPTION

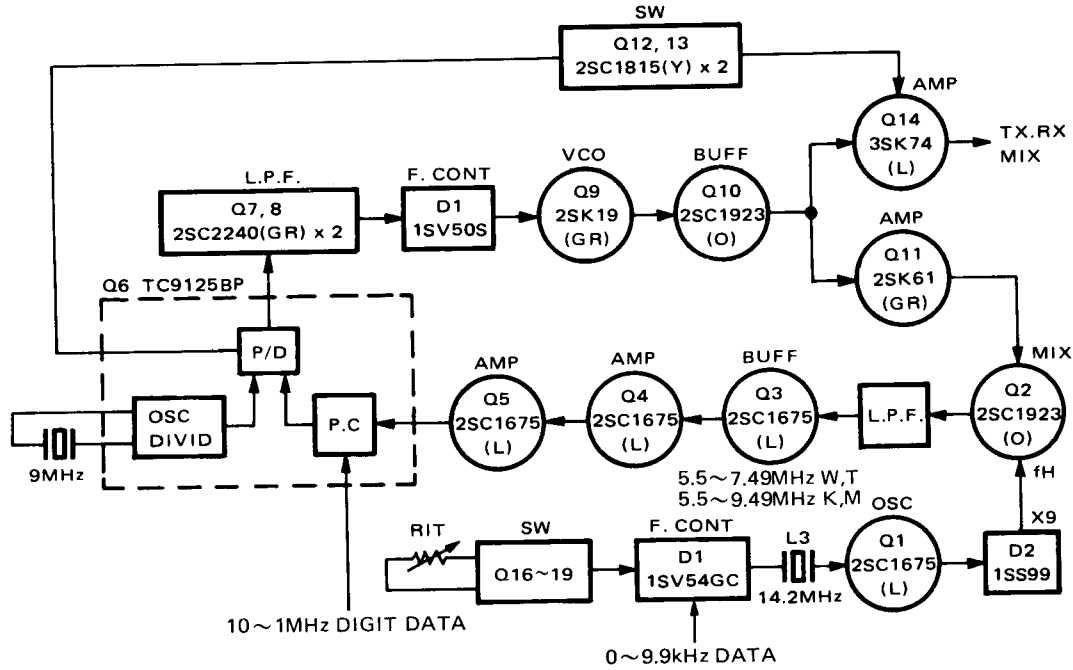


Fig. 3 PLL unit Block diagram

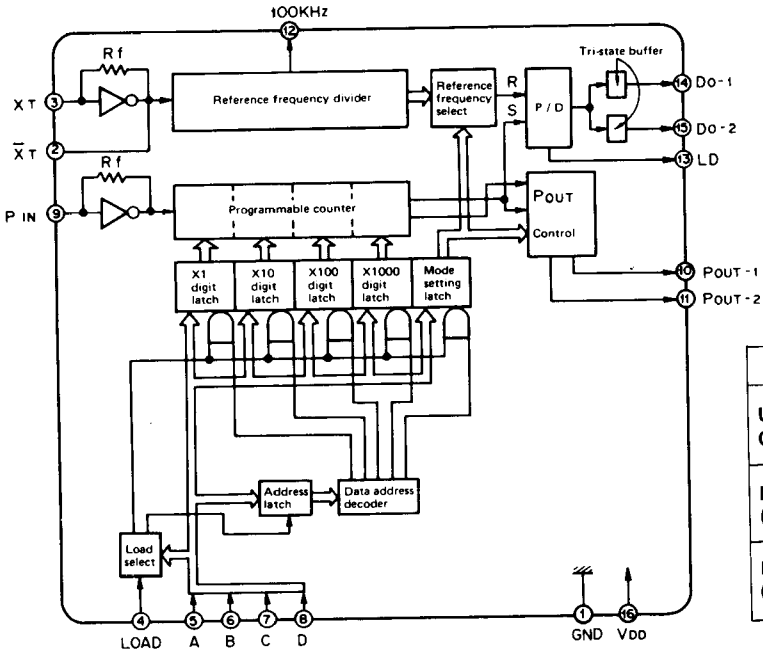


Fig. 4 TC9125BP Block diagram

N	549	550	551
USB CW		99	99
FM (-1.5kHz)	00	00	00
LSB (-3kHz)	00	00	00

Fig. 5 0.0 ~ 9.9 kHz frequency changing

K,M type	fvco	fif	fhET	fhET/9	N
USB/CW	133.3065MHz ~ 137.3064MHz	5.5 MHz ~ 9.49MHz	127.8065MHz ~ 127.8164MHz	14.200722MHz ~ 14.201822MHz	550 ~ 949
FM	133.305 MHz ~ 137.305 MHz	5.49MHz ~ 9.48MHz	127.8065MHz ~ 127.8164MHz	14.200722MHz ~ 14.201822MHz	549 ~ 948
LSB	133.3035MHz ~ 133.3035MHz	5.4 MHz ~ 9.48MHz	127.8065MHz ~ 127.8164MHz	14.200722MHz ~ 14.201822MHz	549 ~ 948
W,T type	fvco	fif	fhET	fhET/9	N
USB/CW	133.3065MHz ~ 135.3064MHz	5.5 MHz ~ 7.49MHz	127.8065MHz ~ 127.8164MHz	14.200722MHz ~ 14.201822MHz	550 ~ 749
FM	133.305 MHz ~ 135.304 MHz	5.49MHz ~ 7.48MHz	127.8065MHz ~ 127.8164MHz	14.200722MHz ~ 14.201822MHz	549 ~ 748
LSB	133.3035MHz ~ 135.3034MHz	5.49MHz ~ 7.48MHz	127.8065MHz ~ 127.8164MHz	14.200722MHz ~ 14.201822MHz	549 ~ 748

Table 5. PLL frequency configuration

CIRCUIT DESCRIPTION

Control Circuit (X53-1210-11/62)

Indicator

The indicator is a dynamic 5-digit LED display. The D-port (pins 8-11) BCD data from the microprocessor Q12 is converted to 7-segment data by decoder driver Q11: SN74LS247N, which drives Q13-19: 2SA1115.

Data from the E- and F- ports (pins 12-16) sequentially switch the display through Q22-26: 2SC1959(Y), lighting the display. Control of the 100 Hz and 1 MHz digit decimals from the C3-port (pin 5) and F2-port (pin 18) is performed by Q20/28: 2SA1015(Y) and Q21/27: 2SC1815(Y).

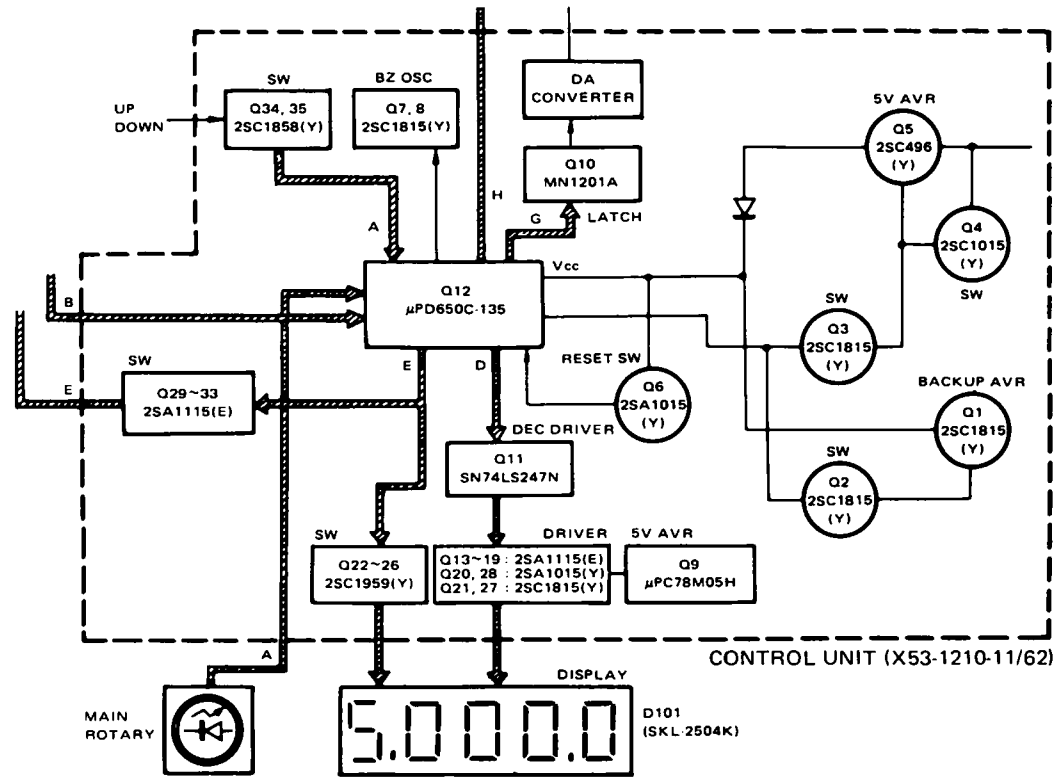


Fig. 6 Control unit Block diagram

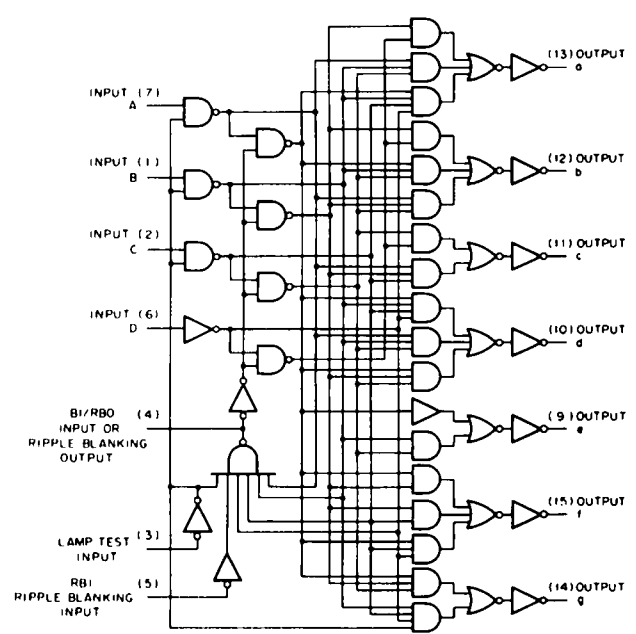


Fig. 7 SN74LS247N

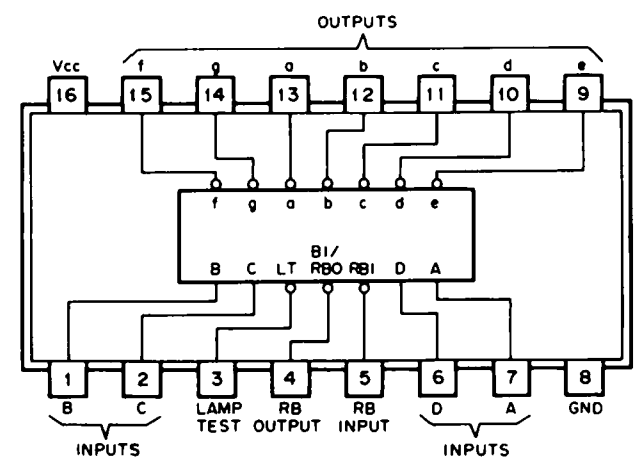
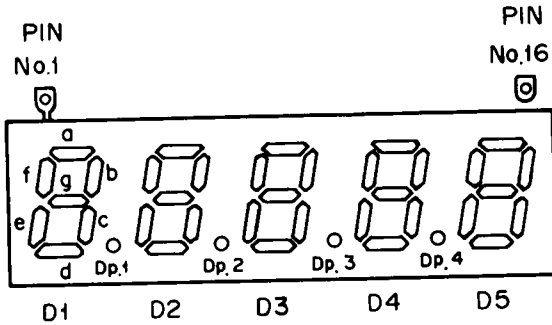


Fig. 8 SN74LS247N

CIRCUIT DESCRIPTION

● PLL Data Output

PLL data (3-digit: MHz, 100 kHz, 10 kHz) is dynamically out put from the microprocessor HO-H3 and I/O port. The 1 kHz/100 Hz data is applied from G0-G3 and F0/E3 ports to the dual latch Q10: MN1201A and converted to a DC voltage (HCV) associated with the D/A converter made up of fixed resistors (R49-R57).



Pin No.	Address	Pin No.	Address
1	D5 Cathode	9	g Anode
2	D4, Dp4 Cathode	10	b Anode
3	D3, Dp3 Cathode	11	a Anode
4	D2, Dp2 Cathode	12	f Anode
5	D1, Dp1 Cathode	13	Dp4 Anode
6	e Anode	14	Dp3 Anode
7	d Anode	15	Dp2 Anode
8	c Anode	16	Dp1 Anode

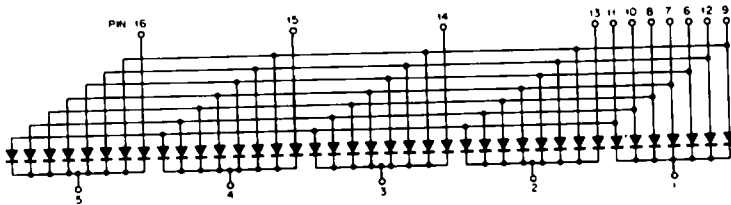


Fig. 9 5 digit LED SL-2504K

Symbol	Pin	Description
IN1 ~ IN4	Input	4-bit input terminal
AO1 ~ AO4	Output	Output terminal for data latched by clock pulse CKA
BO1 ~ BO4	Output	Output terminal for data latched by clock pulse CKB
CKA	Clock A	Clock signal terminal for latching 4-bit input signal in 4-bit flip flop A. Input signal is latched at the rising of clock signal.
CKB	Clock B	Clock signal terminal for latching 4-bit input signal in 4-bit flip flop B. Input signal is latched at the rising of clock signal.

Table 6. Terminals of the MN1201A

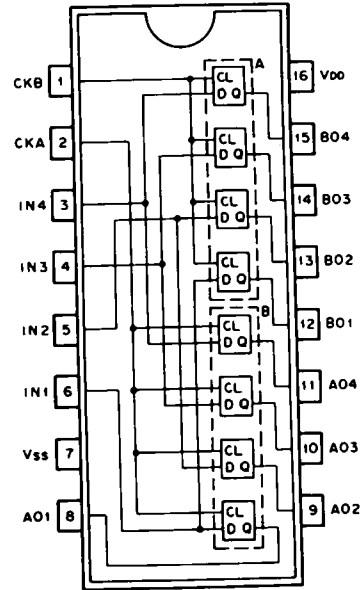


Fig. 10 MN1201A block diagram

● Reset Circuit

Lambda diode D7 (MA522(Q)) is used to detect the power supply voltage: when the power supply voltage exceeds the valley voltage (about 3.5 V) of the lambda diode, the diode is OFF and Q6 (2SA1015(Y)) is ON so that an "L" level signal is applied to the reset terminal (pin 7) of the microprocessor to reset it.

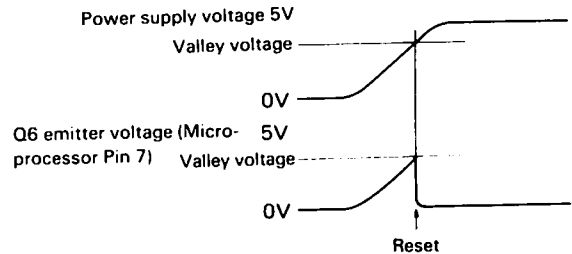


Fig. 11-A Reset timing

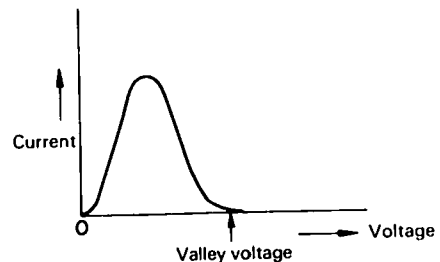


Fig. 11-B Lambda diode characteristics

CIRCUIT DESCRIPTION

● Switch Circuits

The individual switch circuits perform their functions by the output from the microprocessor E- and F-ports (pins 12 – 16) and B-port (pins 37 – 40) for input. Diodes (1S1555) are provided where necessary for isolation.

The pulsed output from the E- and F-port is shut off by Q29 – Q33 (2SA1115(Y)) during transmission, thereby improving the S/N ratio during transmit.

● Power Supply for the Control Circuit

There are three power supply circuits incorporated in the control unit: one for the LED display (5V), consisting of Q9 (μ PC78M05H); one for back-up, consisting of Q1 (2SC1815(Y)); and one for the microprocessor, consisting of Q5 (2SC496(Y)).

When power is fed to the power connector with the power switch OFF, the back-up power supply operates to maintain the microprocessor memory. At this time, all ports are at the "L" level and the power consumption is minimum. When the power switch is ON, the other power supply circuits operate and the back-up power supply is turned off by the control signal from the microprocessor.

● Encoder and UP/DOWN Inputs

Fig. 12 shows the output signal from the encoder (50 steps per rotation). This signal is used to discriminate UP and DOWN counts within the microprocessor. The UP counts starts when U/D is H level at the down edge of the clock signal, and the DOWN count when U/D is L level.

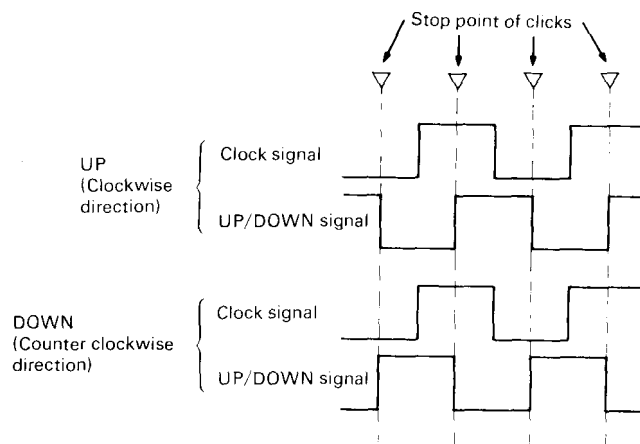


Fig. 12

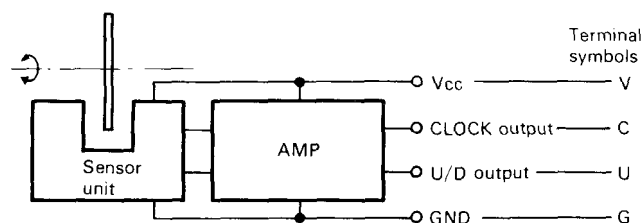


Fig. 13 Rotary encoder (W02-0308-05)

● Tone Oscillator Circuit

When the output from the microprocessor tone oscillator is H level, Q7 (2SC1815(Y)) is energized, allowing a current to flow into the piezo-electric buzzer oscillator, Q8 (2SC1815(Y)), producing a tone.

Terminal No.	Terminal name	Input Signal	Output Signal	Description	Pulse	Terminal No.	Terminal name	Input Signal	Output Signal	Description	Pulse		
1	CL1			Clock signal 400 kHz		21	Vcc			5V Power			
2	PC0	○		TX detection (When RX, it is L and when TX, it is H.)		22	PG0		○	} (D → A convergence)	○		
3	PC1	○		BACK UP detection (Normally H. When B.U, it is L.)		23	PG1		○		BCD DATA output for MN1201	○	
4	PC2	○		SQ detection (Normally L. When FM SQ MIN, it is H.)		24	PG2		○	} PLL unit TC9125BP pulse	○		
5	PC3		○	DOT output for 100 Hz Lights when H and goes out when L.		25	PG3		○		DATA (Normally L. The pulse	○	
6	INT			Normally H		26	PH0		○	DATA is output only when the	○		
7	RES	○		When H → L, reset.		27	PH1		○	frequency is changed.	○		
8	PD0		○	} BCD DATA output for indication		28	PH2		○	} TX inhibited Normally L	○		
9	PD1		○				29	PH3			○	Normally L. When FM TX, it is H.	○
10	PD2		○				30	P10			○	Rotary encoder CLOCK signal input	○
11	PD3		○				31	P11			○	Rotary encoder UP/DOWN signal input	○
12	PE0		○	} 1 MHz digit pulse } Matrix output } 100 kHz digit pulse } in combination } 10 kHz digit pulse } with B input and } 1 kHz digit pulse } these pulses.		32	P12		○	} MIC UP input Normally L and when UP, it is H.	○		
13	PE1		○				33	PA0	○		○	} MIC DOWN Normally L and When DOWN, it is H.	○
14	PE2		○				34	PA1	○		○		} Matrix input in combination with E0 – F0.
15	PE3		○				35	PA2	○		○	} Ground	
16	PFO		○	} In normal operation, it is H. In BACK UP operation, it is L.		36	PA3	○	○	} CLOCK signal 400 kHz	○		
17	PF1		○				37	PB0	○		○		
18	PF2		○	DOT output for MHz		38	PB1	○	○				
19	PF3		○	The buzzer sounds when it is H.		39	PB2	○	○				
20	TEST		○	Normally 5V		40	PB3	○	○				
						41	Vss						
						42	CLO						

Table 7 μ PD650C-135 terminal function

PARTS LIST

CAPACITORS

CC 45 TH 1H 220 J
 1 2 3 4 5 6

- 1 - Type ceramic, electrolytic, etc
- 2 - Shape round, square, etc
- 3 - Temp coefficient
- 4 = Voltage rating
- 5 = Value
- 6 = Tolerance

● Temperature coefficient

1st Word	C	L	P	R	S	T	U
Color*	Black	Red	Orange	Yellow	Green	Blue	Violet
ppm °C	0	80	150	220	330	470	750

2nd Word	G	H	J	K	L
ppm °C	+30	+60	+120	+250	+500

Example CC45TH 470 + 60ppm °C

● Tolerance

Cord	C	D	G	J	K	M	X	Z	P	No cord
(%)	±0.25	±0.5	±2	±5	±10	±20	±40	±80	±100	More than 10 μF Less than 4.7 μF
							20	20	0	10 · 50 10 · 75

Symbol	Destination
K	USA
W	Europe
T	Britain
M	General market

Resistors not listed in this parts list are standard, fixed carbon composition, 1/4W or 1/8W. The resistance values, in ohms, are indicated on the schematic diagram.

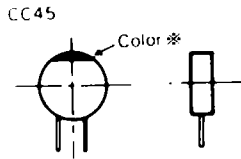
● Rating voltage

2nd word / 1st word	A	B	C	D	E	F	G	H	J	K	V
0	1.0	1.25	1.6	2.0	2.5	3.15	4.0	5.0	6.3	8.0	
1	10	12.5	16	20	25	31.5	40	50	63	80	35
2	100	125	160	200	250	315	400	500	630	800	—
3	1000	1250	1600	2000	2500	3150	4000	5000	6300	8000	—

● Capacitor value

1 0 3 0.01 μF
 0 1 0 1pF
 1 0 0 10pF
 1 0 1 100pF
 1 0 2 1000pF 0.001 μF

2 2 0 22pF
 1st number | Multiplier
 2nd number



Less than 10 pF

Cord	B	C	D	F	G
(pF)	±0.1	±0.25	±0.5	±1	±2

Abbreviation	Capacitor	Abbreviation	Capacitor
Cap	Capacitor	ML	Mylar
C	Ceramic	S	Styren
E	Electrolytic	T	Tantalum
MC	Mica		

N * New parts
 Please note that these parts are sometimes not in stock and it takes much time to deliver

SEMICONDUCTOR

Name	Re-marks	Part No.
Diode	1N60	V11-0051-05
	1S1555	V11-0076-05
	1S2588	V11-0414-05
	1SS99	V11-1277-86
	ITT410	V11-7761-86
	MA522 (R)	V11-1173-46
	MI303	V11-5273-66
	MI402	V11-5260-16
	U15B	V11-6460-26
	Varistor	1S1212
VD1223		V11-1262-46
Vari-cap	1S2208	V11-0317-05
	1SV50S	V11-1260-36
	1SV54-GC	V11-4173-46
LED	PR5532K	V11-7272-36
	PY5532K	V11-7272-46
	SL-2504K	V11-6178-36
	SLP-144B	V11-6172-56
	SLP-244B	V11-6172-66
Zener Diode	XZ-057	V11-4176-76
	XZ-060	V11-4101-20
	XZ-070	V11-4161-96
TR	2SA1012(Y, O)	V01-1012-36
	2SA1015(Y)	V01-1015-06
	2SA1115(D)	V01-1115-26

Name	Re-marks	Part No.
FET	2SA1115(E)	V01-1115-16
	2SA1115(D,E)	V01-1115-36
	2SC496(Y)	V03-0336-05
	2SC945(Q)	V03-0293-05
	2SC1675(L)	V03-1675-06
	2SC1775(E)	V03-1775-06
	2SC1815(Y)	V03-1815-06
	2SC1923(O)	V03-1923-06
	2SC1959(Y)	V03-1959-06
	2SC2240(GR)	V03-2240-06
	2SC2458(Y)	V03-2458-06
	2SC2538-22-A	V03-2538-16
	2SC2603(D,E)	V03-2603-16
	2SC2785(J,H)	V03-2785-40
	2SC2787(L)	V03-2787-16
IC	2SK19(GR) TR10-5	V09-1001-16
	2SK30A(GR)	V09-0060-05
	2SK30A(O)	V09-0056-05
IC	2SK61(GR)	V09-1014-06
	3SK73(GR)	V09-1002-46
	3SK74(L)	V09-1002-56
IC	3SK76-O	V09-1012-16
	AFG05F1750A2	V30-1141-26
	MB3713	V30-1233-16
IC	MN1201A	V30-1008-66

PARTS LIST

Name	Re- marks	Part No.
NJM78L05A		V30-1149-06
SN74LS247N		V30-1030-56
TA7060P		V30-0087-05
TA7061AP		V30-0039-05
TC9125BP		V30-1232-26
μPC78M05H		V30-0680-10
μPC78M08H		V30-1222-16
Microprocessor μPD650C-135		V30-1228-36
Power Module M57727		V30-1239-86

Part No.	Re- marks	Description	Q'ty
F15-0635-04	*	Meter shadow mask	1
F20-0516-05		Insulating sheet (Q101)	1
F29-0014-05		Shoulder washer (Q101)	1
F29-0409-04	*	Insulating cushion (LED)	1
G02-0505-05		Knob fixed spring RIT, SQL	2
G13-0608-04		Cushion (upper case)	1
G13 0656-04	N	Battery cushion (accessory)	1
H01-4414-03	N	Carton (inside) K,W,M	1
H01-4415-03	N	Carton (inside) T	1
H10-2501-03		Styrene foam cushion	1
H10-2528-32		Styrene foam cushion	1
H25-0049-03		Accessory bag	1
H25-0077-03		Protective bag Battery holder	1
H25-0079-04		Protective bag MIC	1
H25-0103-04		Protective bag Cord	1
H25-0106-04		Protective bag TR-9130	1
J02-0069-05		Rubber foot	2
J02-0416-04		Foot (accessory)	1
J21-2754-04	N	Battery holder (accessory)	1
J25-2716-24	*	P.C. board SCAN	1
J25-3099-04	N*	P.C. board MODE	1
J25-3100-04	N*	P.C. board M, CH, MS	1
J25-3104-04	N	P.C. board SQL, H/LOW, TX OFFSET	1
J32-0198-14		Hexagon boss	5
J42-0409-04		Knob bush	1
J61-0019-05		Vinyl tie	1
K21-0749-03		Main knob	1
K21-0750-04		Knob (C) RF GAIN	1
K23-0727-04		Knob (A) MODE, M, CH	2
K23-0729-04		Knob (D) RIT, SQL	2
K23-0733-04		Knob (E) TX OFFSET	1
K23-0742-04		Knob VOL	1
K27-0408-04		Push knob (A) M, NB, A/B, RIT	4
K27-0409-04		Push knob (B) SCAN, HOLD	2
K27-0416-05		Push knob DS, MR, MS	3
K27-0425-05		Push knob (F) REV	1
K27-0430-04		Push knob TONE	1
K29-0762-04	N	Knob HI/LOW	1
N09-0256-05		Screw, earth	1
N13-0307-14		Ornamental nut VOL	1
N14-0512-05		Nut	4
N30-2004-46		Round screw MS	1
N30-2604-46		Round screw	10
N30-3006-46		Round screw Tr	1
N32-3005-46		Flat screw	10
N32-3006-46		Flat screw	5
N33-2606-45		Round flat screw SP	4
N33-3006-45		Round flat screw	19
N35-3004-46		Bind screw	8
N35-3006-46		Bind screw	10
N87-3006-46		Tap tight screw	10
N89-3005-46		Bind tap tight, Earth lug	2
R01-4411-05	N	Pot. 50K (B) with SW. SQL, H/L VR102	1
R05-3412-05		Pot. 10K (K) with SW. VOL VR101	1
R19-3406-05		Pot. 10K (B) x 2 RF, RIT, VR103, 104	1
RS14AB3A121J		MF 120Ω 1W, R103	1

GENERAL

Part No.	Re- marks	Description	Q'ty
A01-0924-03		Case (upper)	1
A01-0925-02		Case (lower)	1
A13-0612-02		Angle ass'y (right)	1
A13-0613-02		Angle ass'y (left)	1
A13-0614-04		Angle (top)	1
A20-2445-13	N	Panel	1
B01-0647-02	N	Panel escutcheon K,W,M	1
B01-0648-02	N	Panel escutcheon T	1
B03-0513-14		Switch mask (B) M, NB, A/B, RIT	4
B03-0518-04		Switch mask MHz, DS, MS, MR	4
B05-0713-04		Grill cloth, case (upper)	1
B05-0714-04		SP grill cloth	1
B05-0723-04	N	Grill cloth, case (lower)	1
B07-0621-03		Side escutcheon	2
B10-0640-04		Front glass	1
B30-0821-05		Meter lamp 8V, 70 mA	1
B31-0631-05		Meter	1
B40-2610-04	N	Model name plate K	1
B40-2611-04	N	Model name plate T	1
B40-2612-04	N	Model name plate W,M	1
B46-0058-10		Warranty card	1
B50-3964-00	N	Instruction manual K	1
B50-3965-00	N	Instruction manual T	1
B50-3966-00	N	Instruction manual W	1
B50-3983-00	N	Instruction manual M	1
E06-0651-05		6P metal socket MIC	1
E07-0651-05		6P metal consent MIC	1
E09-0471-05		4P plug (accessory)	1
E12-0001-15		Phone plug (accessory)	1
E12-0401-15		STBY plug (accessory)	1
E23-0015-04		Earth lug (LED)	2
E29-0412-05		1P connector (male)	1
E29-0413-05		1P connector (female)	1
E30-1709-05	N	DC cord ass'y 7A	1
E31-2140-05	N*	Connector with lead SP	1
E91-0302-05	N	Battery snap (accessory)	1
F05-7025-05		Fuse (7A)	2
F10-1206-04		Earth Drive	1
F15-0622-04		Shadow mask (meter)	1
F15-0627-04		Shadow mask (LED)	1

PARTS LIST

Part No.	Re-marks	Description	Q'ty
S01-2421-05		Rotary switch MODE	1
S01-2430-15		Rotary switch M. CH	1
S01-1421-05		Rotary switch TX OFFSET	1
S40-1401-05		Push switch MS	1
S40-2403-05		Push switch TONE	K,T,M 1
S40-2406-05		Push switch TONE	W 1
S40-2417-05		Push switch MR	1
S50-1406-05		Tact switch MIC	2
S59-1405-05		Key board switch SCAN, HOLD	2
T07-0216-05		Speaker	1
T91-0311-05		Microphone	T 1
T91-0313-05		Microphone	K,W,M 1
W02-0308-05		Rotary encoder	1
X41-1400-11	N	Switch unit	1
X41-1440-00	N	Mounting bracket assy	1
X45-1240-11	N	Final unit	1
X47-1090-11	N	Drive unit	K,M 1
X47-1090-61	N	Drive unit	W,T 1
X50-1860-00	N	PLL unit	1
X50-1870-11	N	CAR unit	K,M 1
X50-1870-51	N	CAR unit	T 1
X50-1870-61	N	CAR unit	W 1
X53-1210-11	N	Control unit	K,M 1
X53-1210-62	N	Control unit	W,T 1
X55-1320-00	N	RX unit	W,T 1
X55-1320-11	N	RX unit	K,M 1

Part No	Re-marks	Description	Ref No	Q'ty
CC45SL2H101J	C	100pF 500V	C3	1
CC45SL2H120J	C	12pF 500V	C10	1
CC45SL2H220J	C	22pF 500V	C9	1
CC45SL2H330J	C	33pF 500V	C4	1
CC45SL2H390J	C	39pF 500V	C6	1
CE04W1A221M	E	220 10V	C26	1
CE04W1C220M	E	22 16V	C24,28	2
CE04W1H3R3M	E	3.3 50V	C18	1
CK45B1H102K	C	0.001	C11,12,14,15,17,19,20,22,25,27,29,30,32	12
CS15E1E010M	T	1 25V	C13	1
CS15E1VR47M	T	0.47 35V	C21	1
C90-0817-05	E	1000 16V (small)	C23	1
E04-0152-05		UHF type receptacle		1
E06-0252-05		2P square socket		1
E08-0304-05		Power jack Buck-up		1
E08-0471-05		4P socket AUX		1
E11-0405-05		KEY jack		1
E11-0406-05		STBY jack		1
E11-0409-05		Earphone jack		1
E23-0047-04		Square terminal		1
E23-0401-05		Round terminal		2
E40-0373-05		Mini connect wafer 3P		1
E40-0673-05		Mini connect wafer 6P		1
F01-0775-05	N	Heat sink		1
L33-0649-05	N	Choke coil	L5	1
L34-0692-05		VHF coil 5p4T	L3	1
L34-0742-05		Coil 3p5T	L4,6	2
L34-0887-05		VHF coil 5p3T	L7	1
L34-0908-05		Coil	L2	1
L34-1020-05		Coil 3p3.5T	L1	1
L40-1001-03		Ferri-inductor 10μH	L8	1
N09-0256-05		Gnd screw		1
N30-2606-46		Round screw Back up		2
N35-3006-46		Bind screw PC board		6
N35-3008-46		Bind screw Power module		2
R12-0424-05		Trim. pot 100Ω (2 terminal)	VR3	1
R12-4411-05		Trim. pot 50kΩ	VR2	1
R12-5410-05		Trim. pot 100kΩ	VR1	1
RC05GF2H181J		Solid 180Ω 1/2W	R1	1
R92-0150-05		Short jumper		1

Part No	Re-marks	Description	Ref No	Q'ty
SWITCH UNIT (X41-1400-11)				
CK45F1H103Z	C	0.01	C1	1
E23-0047-04		Square terminal		1
E40-0373-05		Mini connect wafer 3P		1
E40-0673-05		Mini connect wafer 6P		1
E40-0773-05		Mini connect wafer 7P		1
F40-1273-05		Mini connect wafer 12P		1
N30-2604-46		Round screw		1
R92-0150-05		Short jumper		2
S40-1403-15		Push switch M.SHIFT/REV	S5	1
S40-1404-15		Push switch DS	S6	1
S40-2404-05		Push switch A/B, RIT	S3,4	2
S40-2405-05		Push switch NB	S2	1
S40-2409-15		Push switch M	S1	1

Part No	Re-marks	Description	Ref No	Q'ty
FINAL UNIT (X45-1240-11)				
CC45CH1H010C	C	1pF	C5	1
CC45CH1H020C	C	2pF	C8	1
CC45CH1H330J	C	33pF	C16	1
CC45SL1H101J	C	100pF	C31	1
CC45SL2H070D	C	7pF 500V	C1	1
CC45SL2H100D	C	10pF 500V	C7	1

Part No	Re-marks	Description	Ref No	Q'ty
DRIVE UNIT (X47-1090-XX) 11: K/M, 61: W/T				
C05-0031-15		Ceramic trimmer 10pF	TC2,3	2
C05-0062-05		Ceramic trimmer 6pF	TC1	1
CC45CH1H030C	C	3pF	C62	1
CC45CH1H0R5C	C	0.5pF	C41,44	2

PARTS LIST

Part No.	Re- marks	Description	Ref. No.	Q'ty	Part No.	Re- marks	Description	Ref. No.	Q'ty
CC45CH1H080D	C	8pF	C38	1	L40-1001-01		Ferri-inductor 10μH (small)	L8,9,19	3
CC45CH1H100D	C	10pF	C23,57,63	3	L40-1001-03		Ferri-inductor 10μH	L10,16	2
CC45CH1H220J	C	22pF	C27,28,48	3	L40-1011-03		Ferri-inductor 100μH	L21	1
CC45CH1H390J	C	39pF	C26	1	L40-1021-03		Ferri-inductor 1mH	L4	1
CC45TH1H040C	C	4pF	C39,46	2	L40-1092-14	N	Ferri-inductor 1μH	L7	1
CC45TH1H050C	C	5pF	C40,42,43	3	L40-1541-27		Ferri-inductor 150mH	L1	1
CC45TH1H060D	C	6pF	C47	1	L40-4711-03		Ferri-inductor 470μH	L5	1
CC45TH1H100D	C	10pF	C35,36	2	L40-6825-04		Ferri-inductor 6.8mH	L22	1
CC45UJ1H020C	C	2pF	C19	1	L77-0859-05		Crystal 10.695 MHz	L2	1
CC45UJ1H120D	C	12pF	C18	1	N30-3006-46		Round screw		2
CC45SL1H101J	C	100pF	C10	1	R12-0427-05		Trim. pot 500Ω	VR2	1
CC45SL1H221J	C	220pF	C20,21	2	R12-1403-05		Trim. pot 1kΩ	VR6	1
CE04W1A221M	E	220 10V	C76	1	R12-1417-05		Trim. pot 3kΩ	VR3	1
CE04W1A470M	E	47 10V	C4,7,11,16,72	5	R12-2410-05		Trim. pot 5kΩ	VR1	1
CE04W1C101M	E	100 16V	C70,82,87	3	R12-3437-05		Trim. pot 33kΩ	VR5	1
CE04W1C220M	E	22 16V	C86	1	R12-5411-05		Trim. pot 100kΩ	VR4	1
CE04W1E4R7M	E	4.7 25V	C5,15	2	R12-7404-05		Trim. pot 500kΩ	VR7	1
CE04W1H010M	E	1 50V	C3,6,12	3	RC05GF2H2R2J		Solid 2.2Ω 1/2W	R47	1
CE04W1H3R3M	E	3.3 50V	C79	1	R92-0150-05		Short jumper		9
CK45B1H102K	C	0.001	C2,8,17,29-33, 49,51-53,56,58, 59,65-69,77,78, 80,84,85	25	PLL UNIT (X50-1860-00)				
CK45B1H222K	C	0.0022	C83	1	C05-0308-05		Ceramic trimmer 4pF	TC2	1
CK45B1H471K	C	470pF	C25	1	C05-0067-05		Ceramic trimmer 25pF	TC1	1
CK45B1H103Z	C	0.01	C24,34,45,54,61, 89,90	7	CC45PH1H070D	C	7pF	C39	1
CQ92M1H103K	ML	0.01	C13	1	CC45CH1H010C	C	1pF	C5	1
CQ92M1H332K	ML	0.0033	C9	1	CC45CH1H030C	C	3pF	C44	1
CQ92M1H333K	ML	0.033	C14	1	CC45CH1H040C	C	4pF	C4,46	2
CS15E1C1R5M	T	1.5 16V	C81	1	CC45CH1H0R5C	C	0.5pF	C12,13	2
CS15E1VR47M	T	0.47 35V	C64	1	CC45CH1H060D	C	6pF	C41,59	2
C90-0804-05	Cap.	0.001	C55,60	2	CC45CH1H070D	C	7pF	C14	1
C90-0820-05	E	470 16V (small)	C71	1	CC45CH1H080D	C	8pF	C15	1
C91-0131-05	C	0.01 (SP)	C1,22,73,73,88	5	CC45CH1H100D	C	10pF	C16,50	2
C91-0456-05	C	0.047 (SP)	C37	1	CC45CH1H101J	C	100pF	C9,10	2
C91-0457-05	C	0.022 (SP)	C50,75	2	CC45CH1H150J	C	15pF	C43	1
E04-0154-05		Coax. connector		1	CC45CH1H220J	C	22pF	C3,11,49	3
E23-0046-04		Square terminal		2	CC45CH1H330J	C	33pF	C24,25	2
E40-0273-05		Mini connect wafer 2P		1	CC45CH1H560J	C	56pF	C6	1
E40-0373-05		Mini connect wafer 3P		1	CC45SL1H101J	C	100pF	C19,21	2
E40-0473-05		Mini connect wafer 4P		1	CE04W1A101M	E	100 10V	C45	1
E40-0573-05		Mini connect wafer 5P		1	CE04W1A470M	E	47 10V	C7,22,61	3
E40-0873-05		Mini connect wafer 8P		2	CE04W1C100M	E	10 16V	C17,53	2
E40-0973-05		Mini connect wafer 9P		1	CE04W1E4R7M	E	4.7 25V	C51	1
F20-0516-05		Insulating sheet		2	CE04W1H010M	E	1 50V	C38	1
F29-0014-05		Shoulder washer Q10		1	CK45B1H102K	C	0.001	C26-29,36,47, 48,54,57	9
L15-0016-05		Low frequency choke	L20	1	CK45B1H103K	C	0.01	C2,8,30,31,52, 55,56,58,62,63	10
L31-0180-05		Tuning coil	L12	1	CQ92M1H223K	ML	0.022	C20,32	2
L31-0267-05		Tuning coil	L13,14	2	CQ92M1H473K	ML	0.047	C35	1
L31-0313-05		Tuning coil	L6	1	CS15E1A2R2M	T	2.2 10V	C33,34	2
L33-0615-05		Choke coil 15μH	L3	1	CS15E1VR47M	T	0.47 35V	C1	1
L34-0452-05		VHF coil 3φ6T	L17	1					
L34-0691-05		VHF coil 5φ5T	L18	1					
L34-0886-05		Tuning coil 5φ5T	L11	1					
L34-1043-05	N	VHF coil 5φ5T	L15	1					

PARTS LIST

Part No	Re marks	Description	Ref. No.	Q'ty
C91-0457-05		C 0.02 (SP)	C18,23,37,60	4
E23-0046-04		Square terminal		3
E40-0473-05		Mini connect wafer 4P		1
E40-0673-05		Mini connect wafer 6P		1
E40-0873-05		Mini connect wafer 8P		1
L32-0624-05		OSC coil VCO	L13	1
L33-0648-05	N	Choke coil 4.7μH	L4	1
L34-0820-05		Tuning coil	L15	1
L34-0901-05		Tuning coil	L5.6	2
L34-2073-05	N	Tuning coil	L16	1
L40-1021-03		Ferri-inductor 1mH	L1,2,7,9	4
L40-1501-03		Ferri-inductor 15μH	L8	1
L40-3391-03		Ferri-inductor 3.3μH	L12,14	2
L40-4711-03		Ferri-inductor 470μH	L10,17	2
L77-0934-05		Crystal 9 MHz	L11	1
L77-0962-05	N	Crystal 14.20398 MHz	L3	1
R12-3416-05		Trim. pot 47kΩ	VR2	1
R12-6403-05		Trim. pot 470kΩ	VR1	1
R92-0150-05		Short jumper		1

CARRIER UNIT (X50-1870-XX) 11: K/M, 51: T, 61: W

C05-0030-15		Ceramic trimmer 20pF	TC2, 3	2
C05-0031-15		Ceramic trimmer 10pF	TC1	1
CC45CH1H020C	C	2pF	C11	1
CC45CH1H220J	C	22pF	C2, 12	2
CC45CH1H270J	C	27pF	C1	1
CC45CH1H470J	C	47pF	C3	1
CC45SL1H221J	C	220pF	C9, 10	2
CE04W1C220M	E	22	W, T C17, 18	2
CK45B1H102K	C	0.001	C14, 15	2
CK45F1H103Z	C	0.01	C4, 8, 13	6
CQ92M1H472K	ML	0.0047	W, T C20	1
CS15E1A150M	T	15	T C16, 21	2
CS15E1VOR1M	T	0.1	W, T C19	1
E23-0046-04		Square terminal	K, M: 4, W: 1, T: 3	
E40-0273-05		Mini connect wafer		1
E40-0773-05		Mini connect wafer 7P		1
L30-0281-15		Coil IFT	L5	1
L40-1021-03		Ferri-inductor 1mH	L1-4	4
L40-1511-03		Ferri-inductor 150μH	L6	1
L77-0856-05		Crystal 10.6943 MHz	L7	1
L77-0857-05		Crystal 10.6965 MHz	X1	1
R12-3521-05		Trim pot 20 kΩ	W, T VR1	1
R92-0150-05		Short jumper		1

CONTROL UNIT (X53-1210-XX) 11: K/M, 62: W/T

CE04W1A101M	E	100 10V	C12,14	2
CE04W1A221M	E	220 10V	C2,9,10	3
CE04W1A470M	E	47 10V	C3,7	2
CE04W1A471M	E	470 10V	C8	1

Part No	Re marks	Description	Ref No	Q'ty
CE04W1C331M		E 330 16V	C1	1
CE04W1C470M		E 47 16V	C4,6	2
CK45F1H103Z		C 0.01	C5,13,15	3
CQ92M1H223K		ML 0.022	C11	1
E23-0047-04		Square terminal		1
E40-0373-05		Mini connect wafer 3P		2
E40-0573-05		Mini connect wafer 5P		2
E40-0673-05		Mini connect wafer 6P		1
E40-0873-05		Mini connect wafer 8P		2
E40-0973-05		Mini connect wafer 9P		1
G11-0605-04		Cushion BZ-1		1
J29-0403-04		Transducer plate		1
L30-0503-05		IFT	L1	1
N30-3006-46		Round screw		2
N35-3006-46		Bind screw		2
R12-1413-05		Trim. pot 1kΩ	VR1	1
RC05GF2H330J		Solid 33Ω 1/2W	R2	1
RS14GB3D150J		MF 15Ω 2W	R1	1
RN14BK2E1003F		MF 100kΩ 1/4W	R49,53	2
RN14BK2E2003F		MF 200kΩ 1/4W	R50,55	2
RN14BK2E4023F		MF 402KΩ 1/4W	R51,56	2
RN14BK2E4703F		MF 470kΩ 1/4W	R54	1
RN14BK2E8063F		MF 806kΩ 1/4W	R52,57	2
R90-0526-05		Resistor block 27kΩ x 4	R59,60	2
R90-0530-05		Resistor block 2.7kΩ x 4	R58	1
R90-0532-05		Resistor block 27kΩ x 5	R61	1
T95-0051-05		Transducer	BZ-1	1

RX UNIT (X55-1320-XX) 00: W/T, 11: K/M

C05-0030-15		Ceramic trimmer 20pF	TC1	1
C05-0031-15		Ceramic trimmer 10pF	TC2	1
CC45CH1H020C	C	2pF	C14,68	2
CC45CH1H030C	C	3pF	C3,161	2
CC45CH1H040C	C	4pF	C79	1
CC45CH1H050C	C	5pF	C16,165	2
CC45CH1H0R5C	C	0.5pF	C12	1
CC45CH1H070C	C	7pF	C44	1
CC45CH1H100D	C	10pF	C55,66,81	3
CC45CH1H150J	C	15pF	C11,20,82	3
CC45CH1H220J	C	22pF	C4,62	2
CC45CH1H330J	C	33pF	C1,13,159,160	4
CC45CH1H470J	C	47pF	C49,86	2
CC45RH1H100D	C	10pF	C5	1
CC45RH1H120J	C	12pF	C2	1
CC45SL1H101J	C	100pF	C77,141,175	3
CC45SL1H151J	C	150pF	C22	1
CC45SL1H220J	C	22pF	C112,114	2
CC45SL1H470J	C	47pF	C40,69,72,84,100	5
CE04W1A101M	E	100 10V	C140,145,172	3
CE04W1A470M	E	47 10V	C127,144	2

PARTS LIST

Part No	Re- marks	Description	Ref. No.	Q'ty	Part No	Re- marks	Description	Ref. No.	Q'ty
CE04W1C100M	E	10 16V	C42,120,124, 136	4	E40-1073-05		Mini connect wafer 10P		2
CE04W1C330M	E	33 16V	C115	1	E40-1273-05		Mini connect wafer 12P		1
CE04W1C470M	E	47 16V	C151	1	L30-0005-05		IFT	L7,8,26	3
CE04W1E4R7M	E	4.7 25V	C119,121,149	3	L30-0281-05		IFT	L14,18	2
CE04W1H010M	E	1 50V	C36,74,137, 138,142,154	6	L30-0289-05		IFT	L16,17	2
CE04W1H2R2M	E	2.2 50V	C118	1	L30-0503-05		IFT	L10,12,22	3
CE04W1H3R3M	E	3.3 50V	C117	1	L30-0504-05		IFT	L13,21	2
CK45B1H102K	C	0.001	C6,9,10,25,34, 45,129,166	8	L30-0507-05		IFT	L15	1
CK45B1H222K	C	0.0022	C7,8,33,139	4	L30-0513-05		IFT	L6	1
CK45B1H331K	C	330pF	C27,70	2	L30-0515-06	N	IFT	L29	1
CK45B1H471K	C	470pF	C23,94,98,99, 103,104,174	7	L31-0267-05		Tuning coil	L1,2	2
CK45F1H103K	C	0.01	C15,17,18,24,30, 35,38,43,52,61, 76,78,95,96,147, 153,158	17	L33-0002-05		Choke coil 1μH	L4	1
CQ92M1H102K	ML	0.001	C107,108	2	L34-0683-05		Tuning coil	L5	1
CQ92M1H103K	ML	0.01	C91,113,125, 134,135	5	L40-1011-03		Ferri-inductor 100μH	L19	1
CQ92M1H104K	ML	0.1	C65	1	L40-1011-14		Ferri-inductor 100μH	L31	1
CQ92M1H123K	ML	0.012	C131,132	2	L40-1021-03		Ferri-inductor 1mH	L20,24,32	3
CQ92M1H153K	ML	0.015	C64	1	L40-1501-03		Ferri-inductor 15μH	L11	1
CQ92M1H183K	ML	0.018	C122	1	L40-1511-03		Ferri-inductor 150μH	L25,28	2
CQ92M1H222K	ML	0.0022	C101,105,109, 111,116	5	L40-4711-03		Ferri-inductor 470μH	L27	1
CQ92M1H223K	ML	0.022	C92,93,97,106	4	L40-6825-04		Ferri-inductor 6.8mH	L23	1
CQ92M1H332K	ML	0.0033	C126	1	L71-0215-05		Crystal filter	XF2	1
CQ92M1H393K	ML	0.039	C110	1	L71-0216-05		MCF	XF1	1
CQ02M1H683K	ML	0.068	C148	1	L72-0315-05		Ceramic filter CFW455F	CF1	1
CS15E1C4R7M	T	4.7 16V	C133	1	L72-0316-05		Ceramic filter CFW455E	CF1	1
CS15E1E010M	T	1 25V	C73	1	L77-0858-05		Crystal 10.24MHz	L9	1
CS15E1V0R1M	T	0.1 35V	C128,130	1	L79-0446-05		Ceramic discri CFY455S	L30	1
C90-0820-05	E	470 16V (small)	C146	1	L79-0468-05		Helical resonator W.T	L3	1
C90-0824-05	E	1 50V (small)	C150,152	2	L79-0483-05		Helical resonator K.M	L3	1
C90-0834-05	E	0.15	C143	1	N30-3004-46		Round screw		1
C91-0131-05	C	0.01 (SP)	C19,26,63,162, 171	5	R12-0421-05		Trim. pot 100Ω	VR7	1
C91-0456-05	C	0.047 (SP)	C28,29,31,32, 37,89,90,102	8	R12-0424-05		Trim. pot 100Ω	VR8	1
C91-0457-05	C	0.022 (SP)	C21,39,41, 46-48,50,51,53, 54,56-60,67,71, 75,80,83,85,87, 88,155-157,163, 164,167-170, 173	33	R12-1423-05		Trim. pot 3.3kΩ	VR2	1
C91-0460-05	C	0.068	C123	1	R12-3416-05		Trim. pot 47kΩ	VR4	1
E04-0154-05		Coax. connector		1	R12-3433-05		Trim. pot 30kΩ	VR3	1
E23-0046-04		Square terminal		5	R12-3434-05		Trim. pot 10kΩ	VR6	1
E40-0211-05		Pin connector		1	R12-4411-05		Trim. pot 50kΩ	VR5	1
E40-0273-05		Mini connect wafer 2P		3	R12-7404-05		Trim. pot 500kΩ	VR1	1
E40-0373-05		Mini connect wafer 3P		2	R92-0150-05		Short jumper		15
E40-0473-05		Mini connect wafer 4P		1					
E40-0573-05		Mini connect wafer 5P		1					
E40-0773-05		Mini connect wafer 7P		1					
E40-0973-05		Mini connect wafer 9P		1					

PACKING

Packing

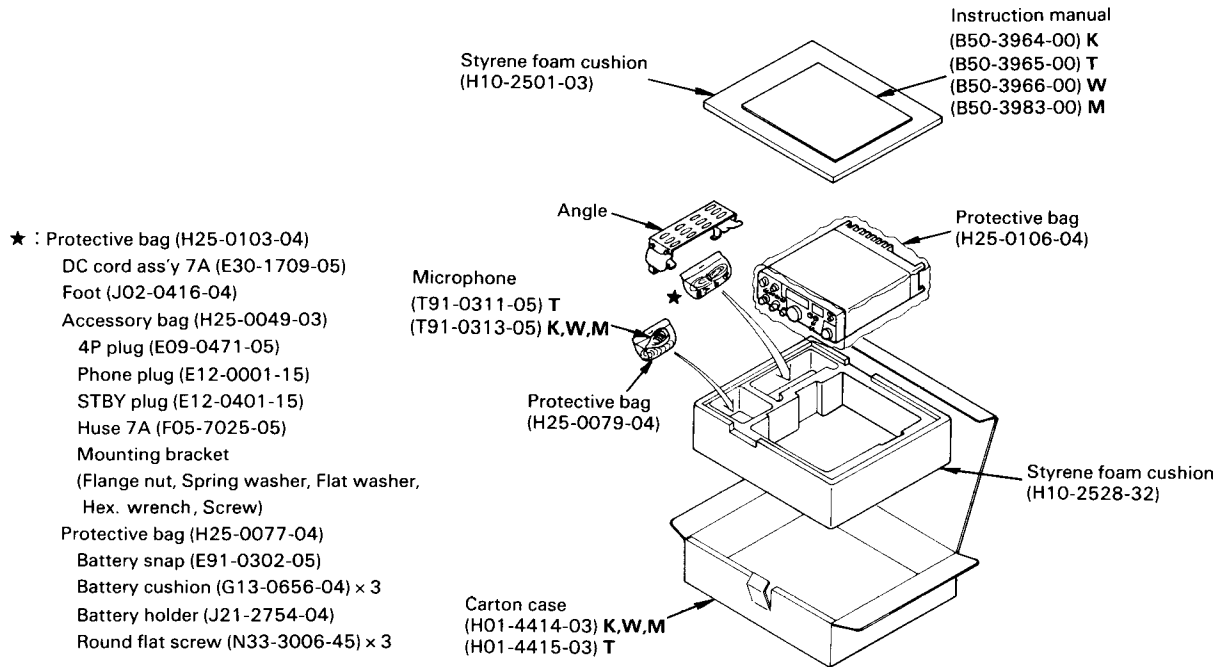


Fig. 14

Note for back up battery

1. This Ni-Cd cell is used to protect the memory when carrying the TR-9130 which can be used in your home or car. It is mainly used for memory back up for short times.
2. Please use a commercially available type 6F22 (9V) Ni-Cd battery. A manganese or alkali battery cannot be used.
3. Charging
 When the power of the TR-9130 is OFF, if the power of the battery, etc., is connected, it is possible to charge. The charging current is about 3 mA, about 48 hours is required to fully charge the empty 75 mAH type 6F22 (9V) Ni-Cd battery pack.
4. Discharging
 Since the back up current of the TR-9130 is about 2.5 mA, the memory retention time is about 24 hours. If you don't use the TR-9130 for a long time, remove the Ni-Cd battery pack connector.
5. Please refer to the instruction manual of the TR-9130 for installation.

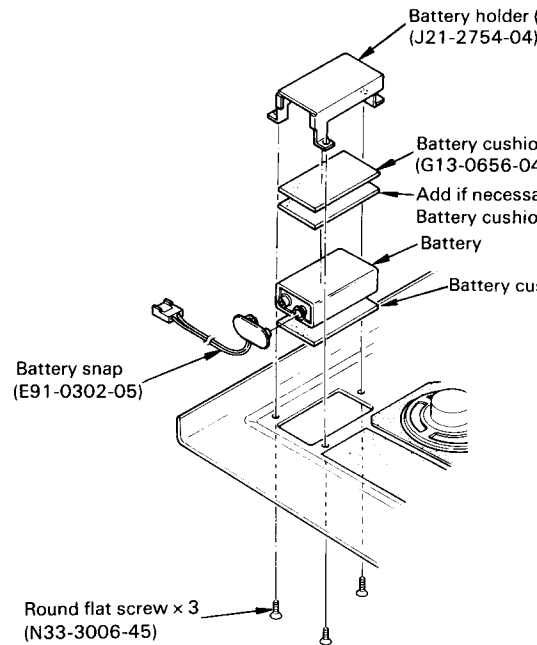


Fig. 15

DISASSEMBLY

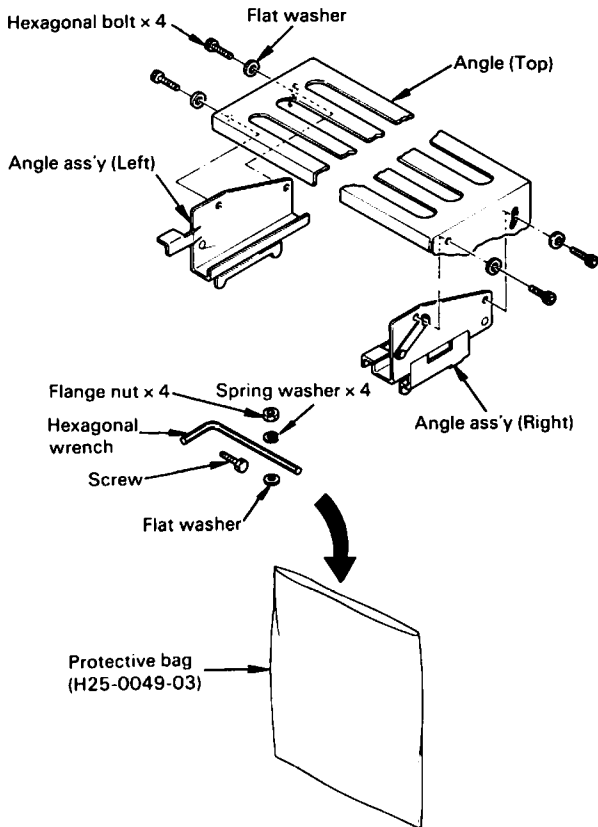


Fig. 16 Mounting bracket ass'y (X41-1440-00)

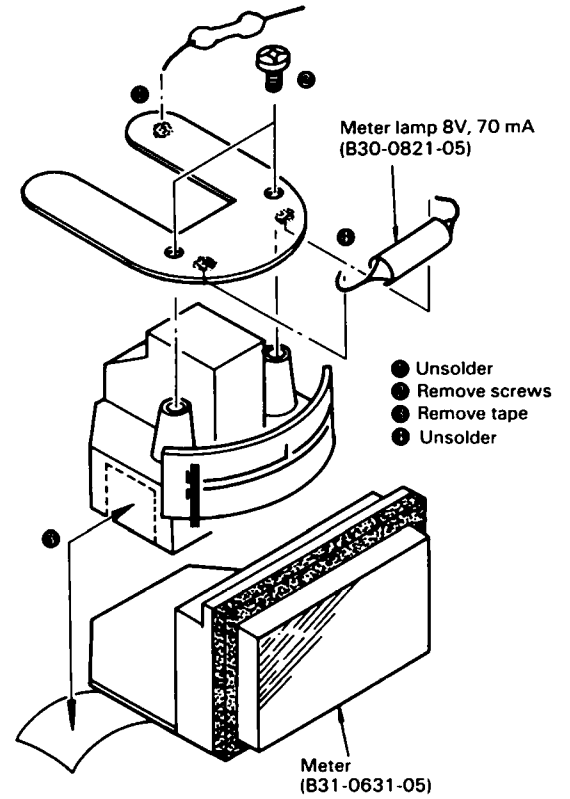


Fig. 17 Meter

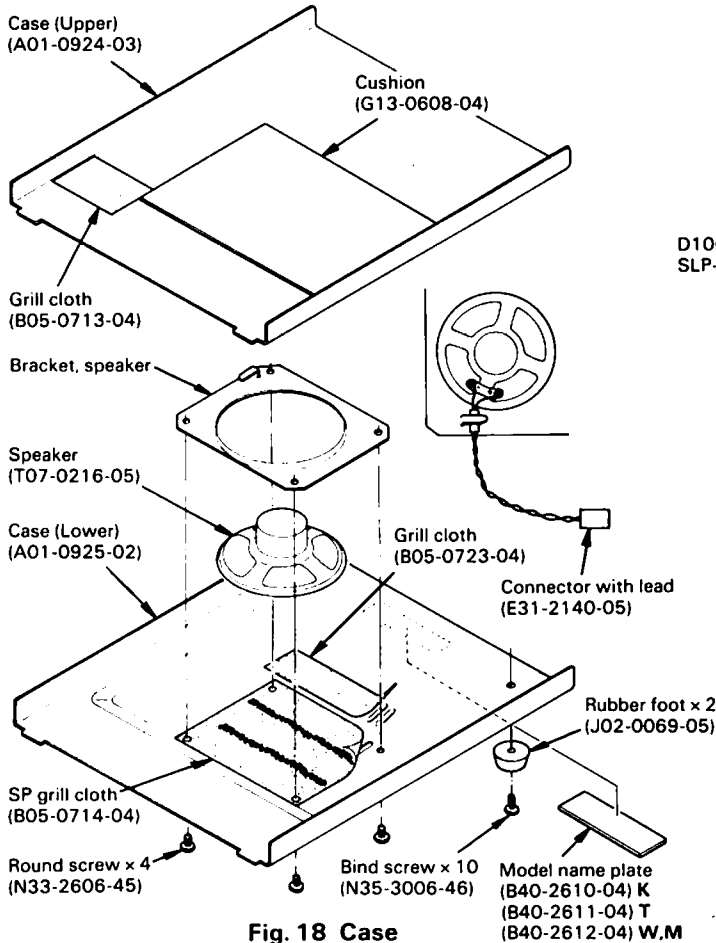


Fig. 18 Case

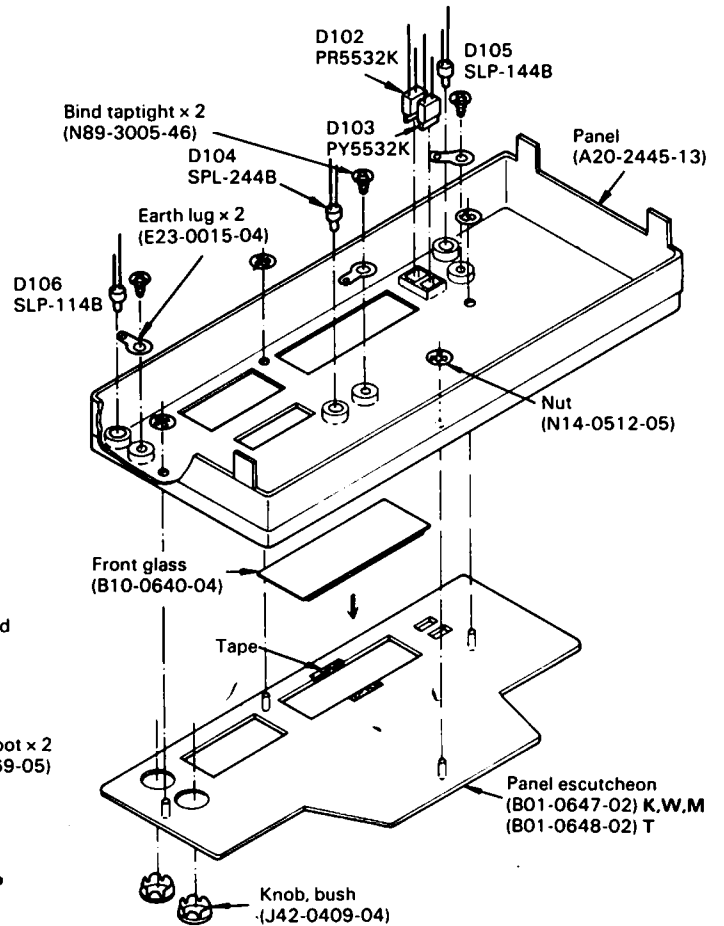


Fig. 19 Panel

DISASSEMBLY

Opening the case

Remove the five screws shown in the figure from the top and bottom of the case, then carefully lift it upwards. Be careful to avoid damaging the speaker leads, which are attached to the bottom.

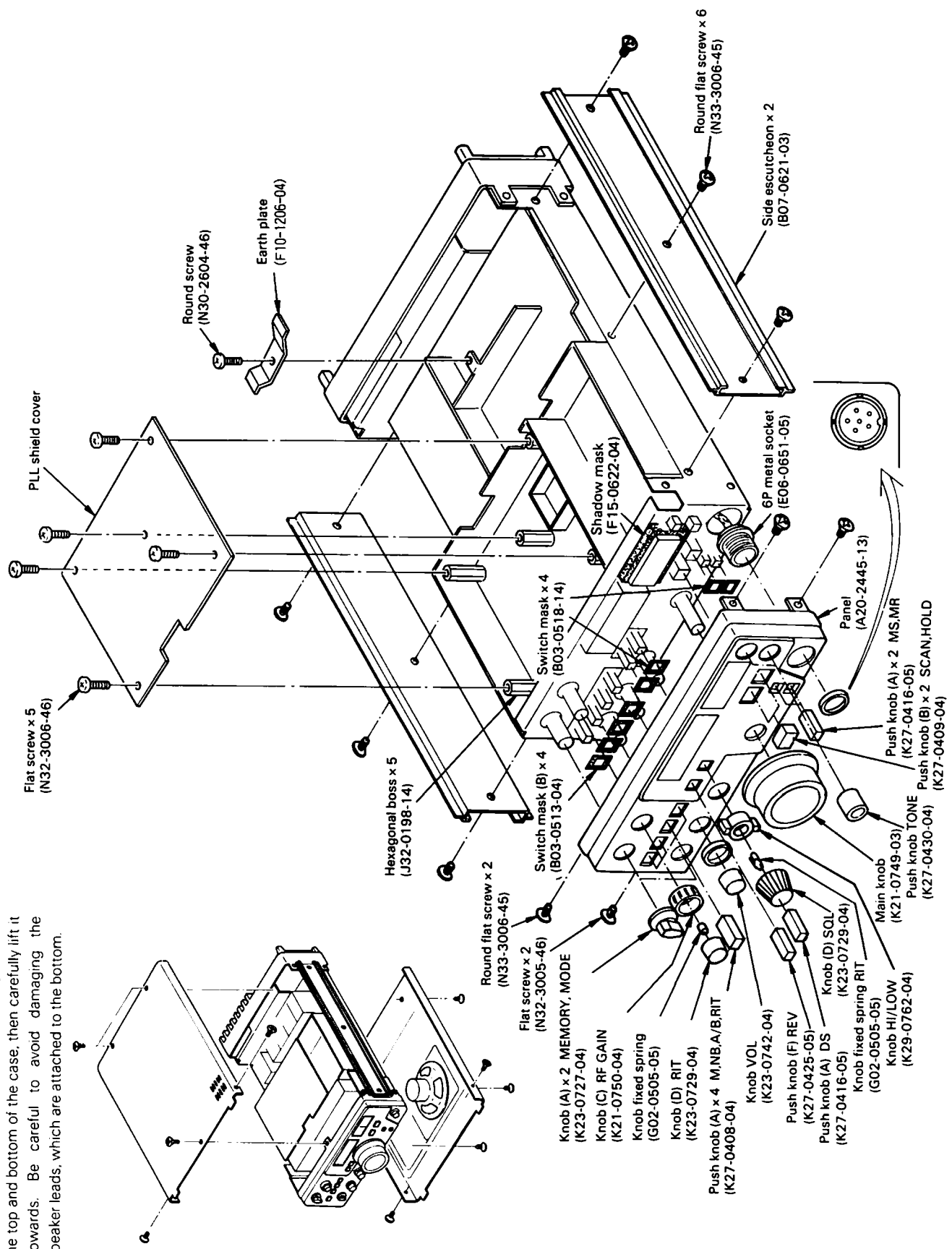


Fig. 20

DISASSEMBLY

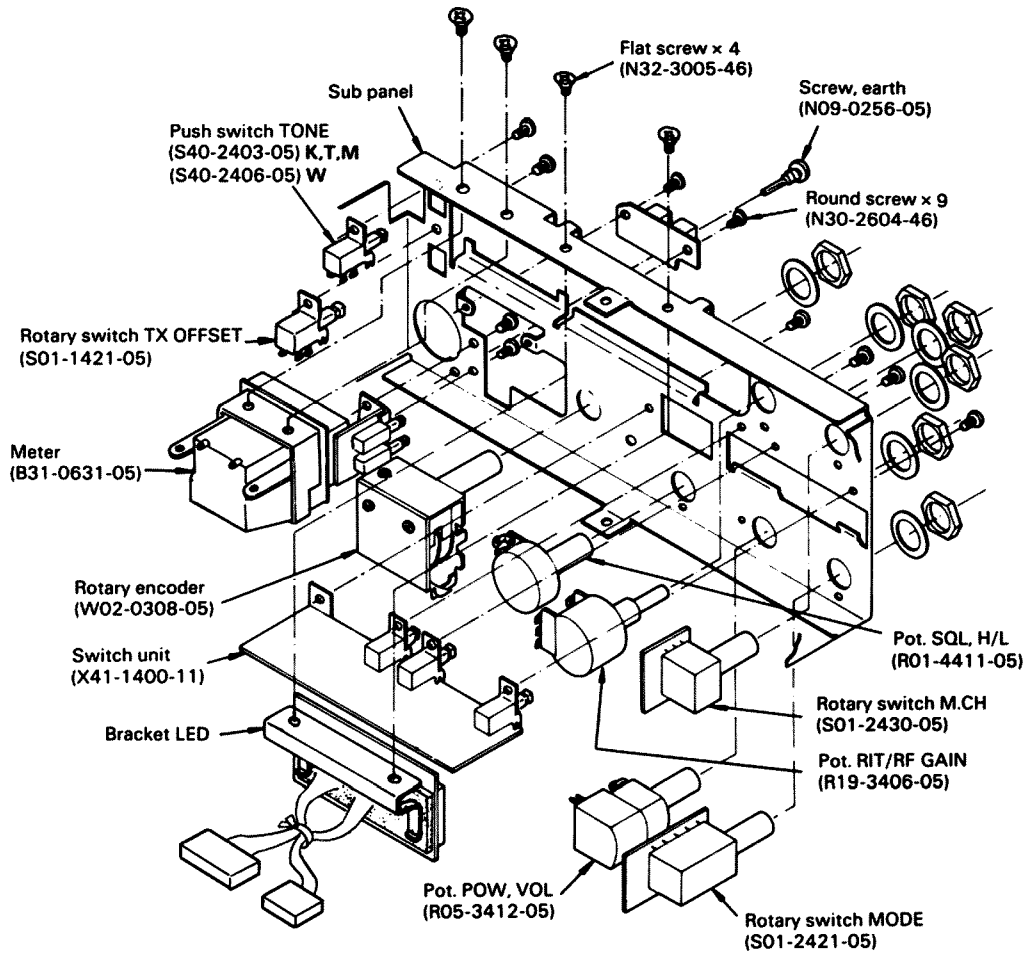


Fig. 21 Sub panel

* This number is that of the part into which the sockets and jacks are to be inserted. (Some parts are not supplied.)

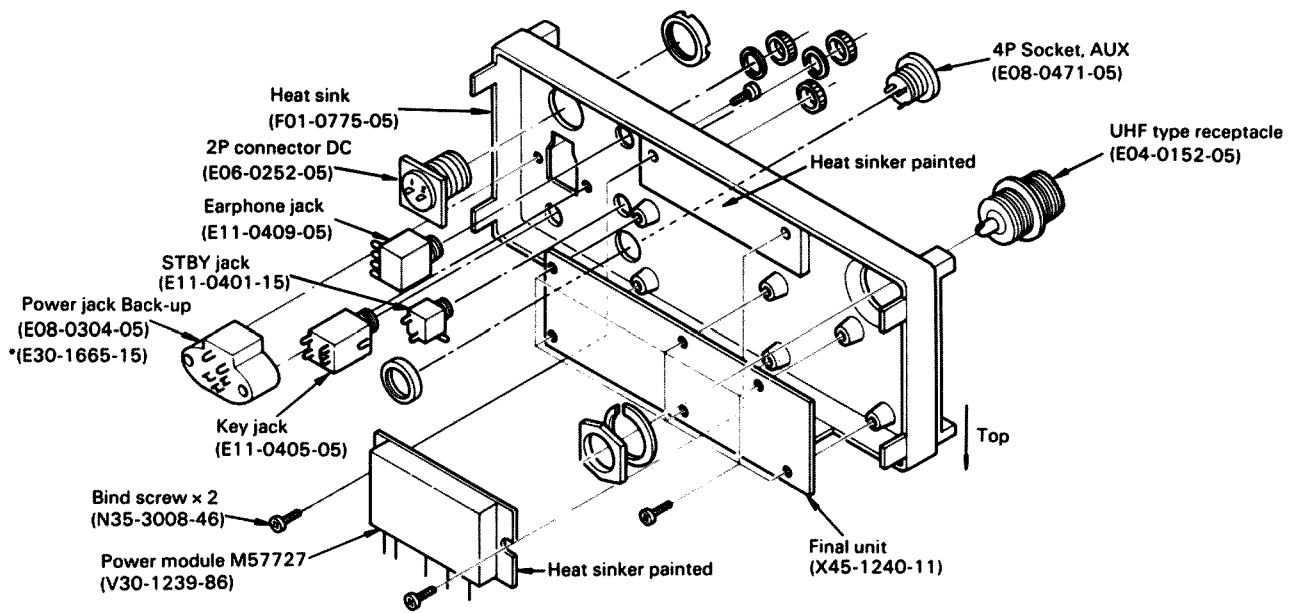
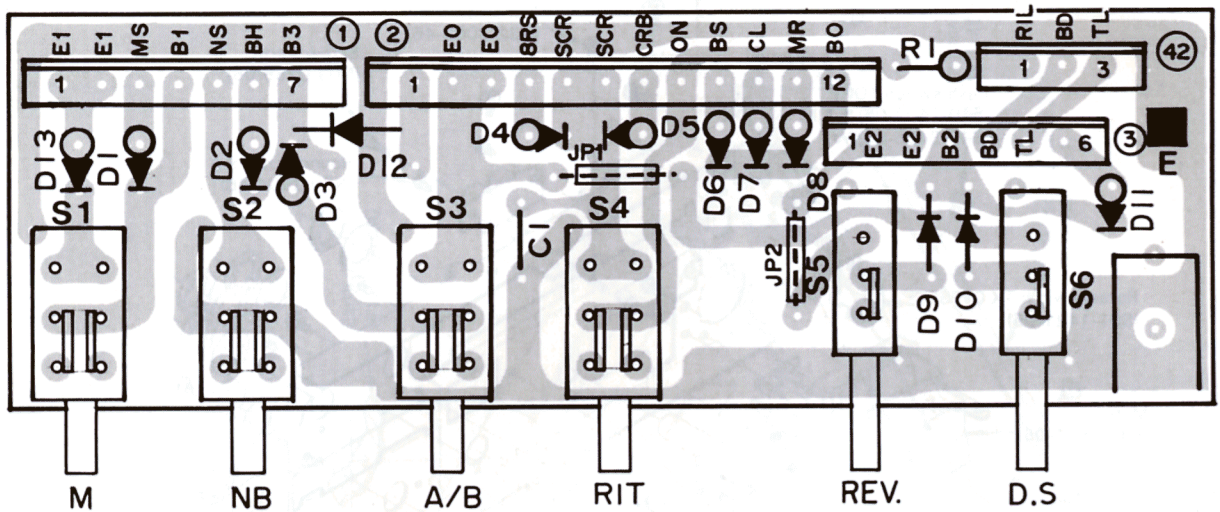


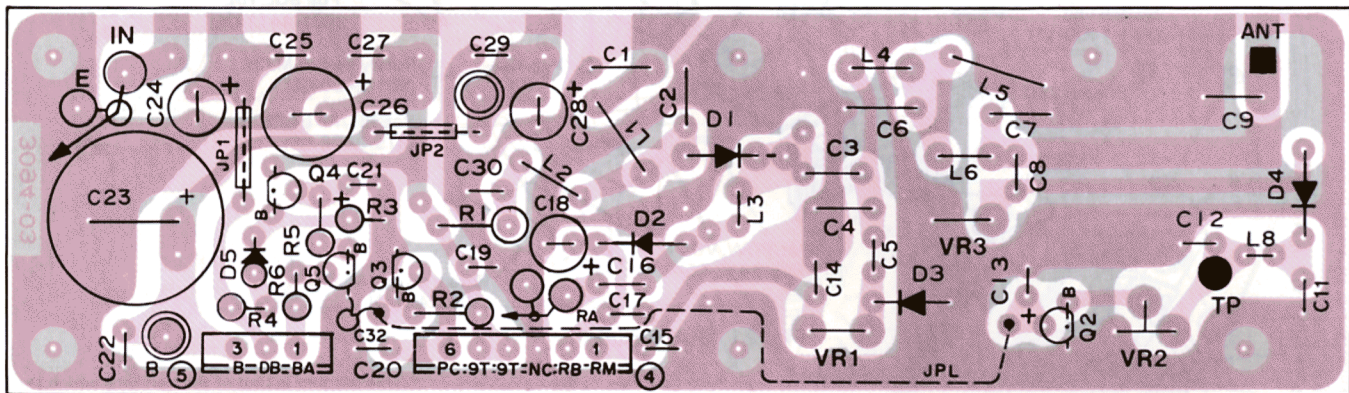
Fig. 22 Rear panel

PC BOARD VIEW

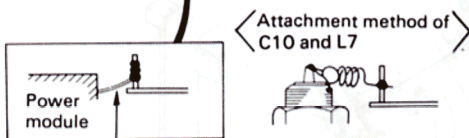
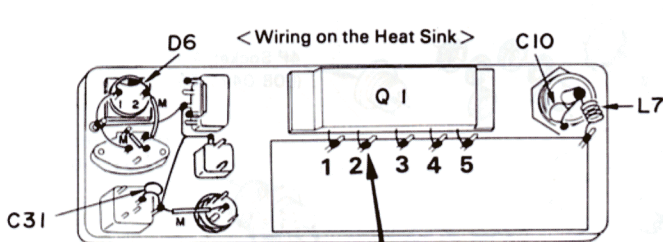
SWITCH UNIT (X41-1400-11) [Component Side View]



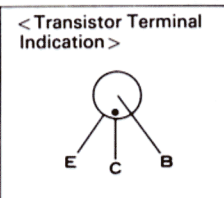
FINAL UNIT (X45-1240-11) [Component Side View]



Q1 : M57727 Q2,3,5 : 2SC1815(Y) Q4 : 2SA1015(Y)
 D1 : MI402 D2 : MI303 D3,4 : 1S1587 D5 : 1S1555 D6 : U15B



Solder the leads of the power module without applying stress to them.



2SA1015
 2SC1675
 2SC1815
 2SC1959
 2SC2240

2SC2538-22-A

2SC496

2SA1012

2SC2603

2SK61

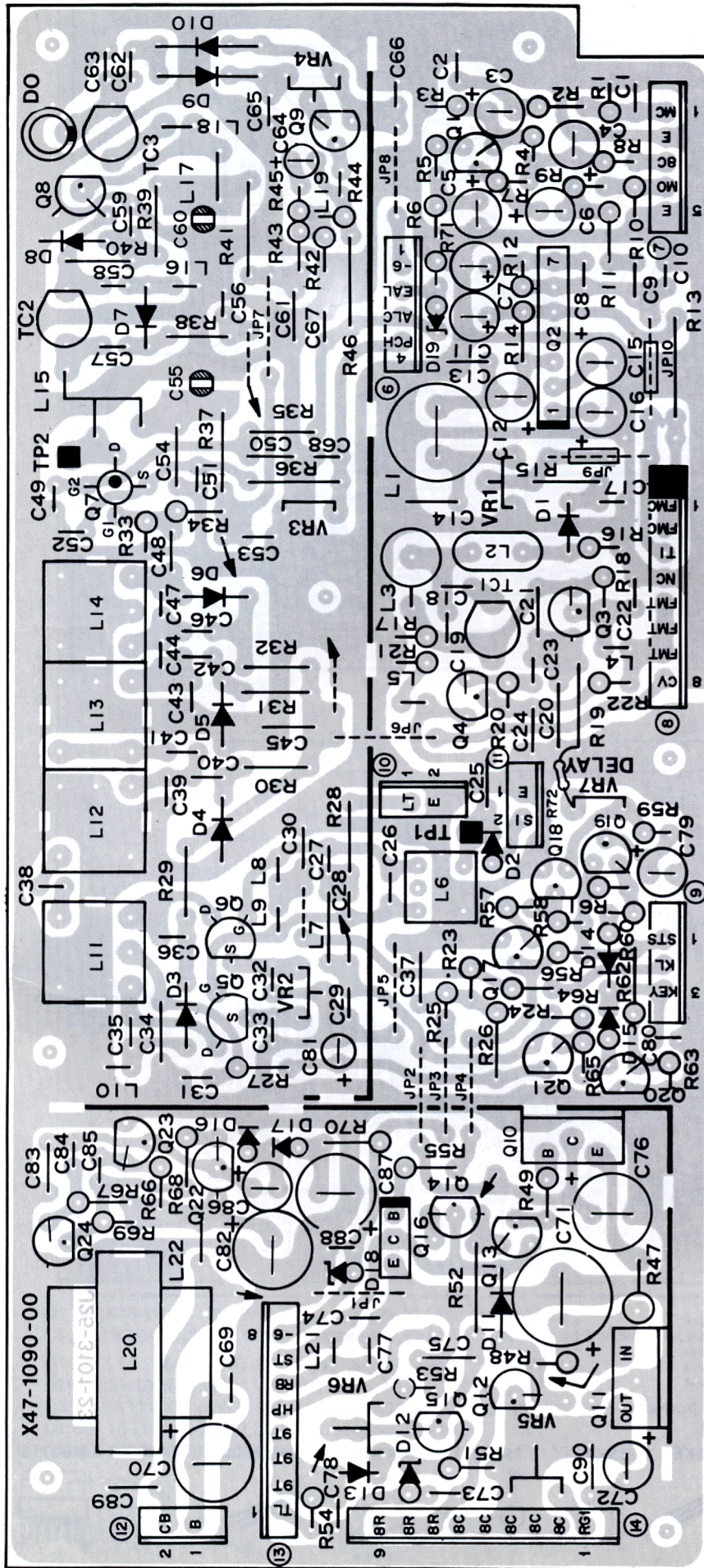
3SK74

μPC78M08H

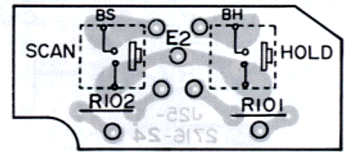
TA7061AP

VD1223

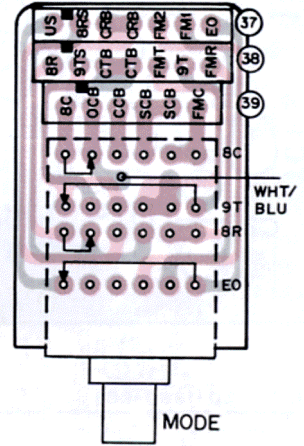
DRIVE UNIT (X47-1090-11,61) [Component Side View]



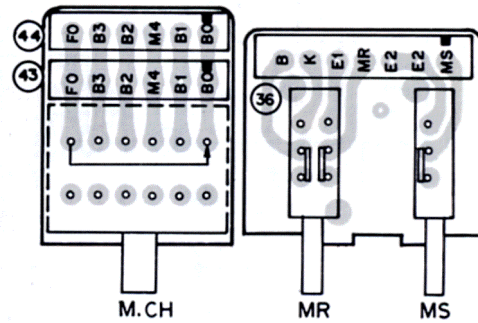
SCAN UNIT (J25-2716-24) [Component Side View]



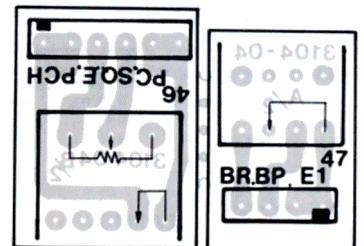
MODE UNIT (J25-3099-04) [Component Side View]



M.CH, MS UNIT (J25-3100-04) [Component Side View]



SQL, HI/LOW, TX OFFSET UNIT (J25-3104-04) [Component Side View]

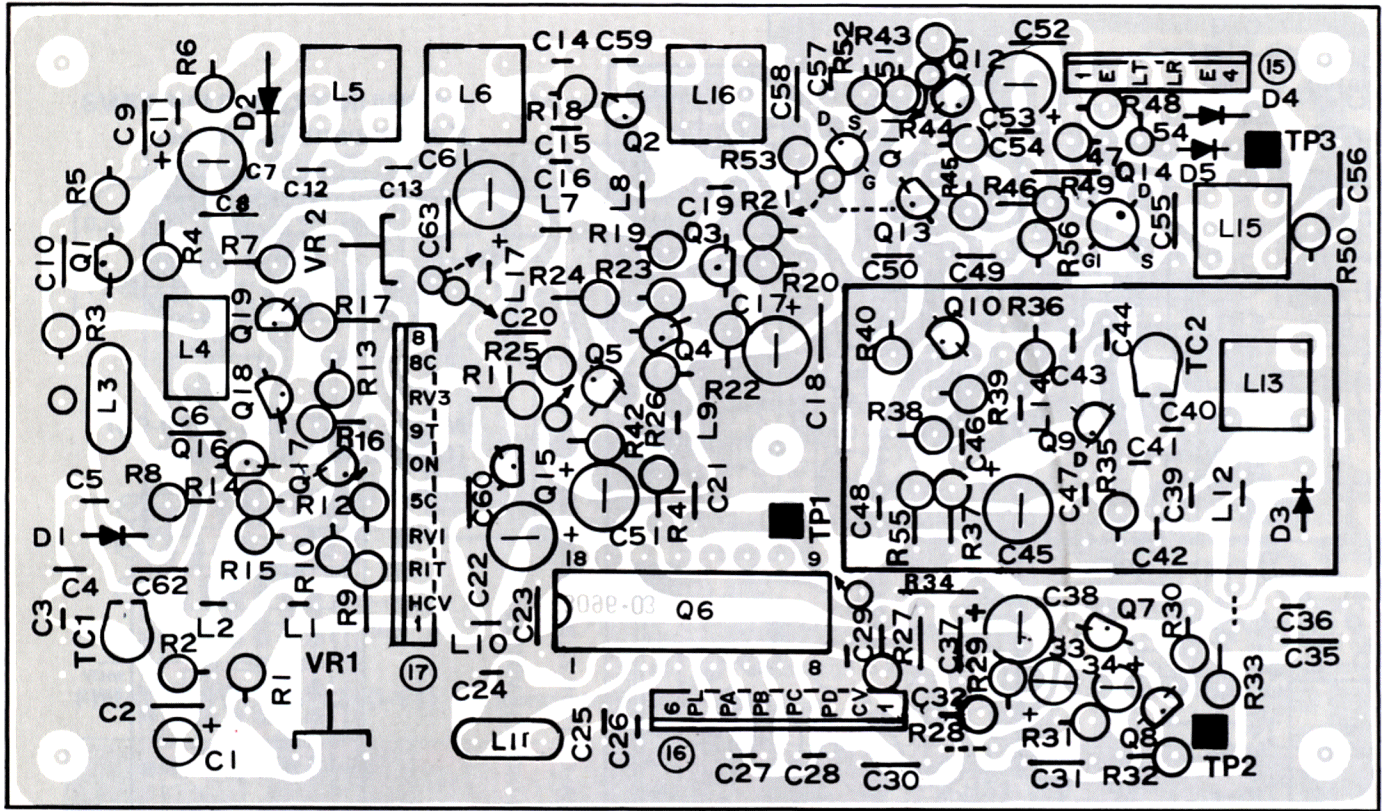


Q1 : 2SC2240(GR) Q2 : TA7061AP Q3,4 : 2SC1675(L) Q5,6 : 2SK61(GR) Q7 : 3SK74(L) Q8 : 2SC2538-22A Q9,17,18,23,24 : 2SC2603(D,E) Q10 : 2SA1012(Y)
 Q11 : μPC78M08H Q12 : 2SC1959(Y) Q13 : 2SC1815(Y) Q15,19-22 : 2SA1015(Y) Q16 : 2SC496(Y)
 D1 : 1S2208 D2 : 1S2588 D3-7 : 1TT410 D8,11,14-17 : 1S1555 D9 : 1N60 D10 : 1S1587 D12,18,19 : XZ-060 D13 : VD1223

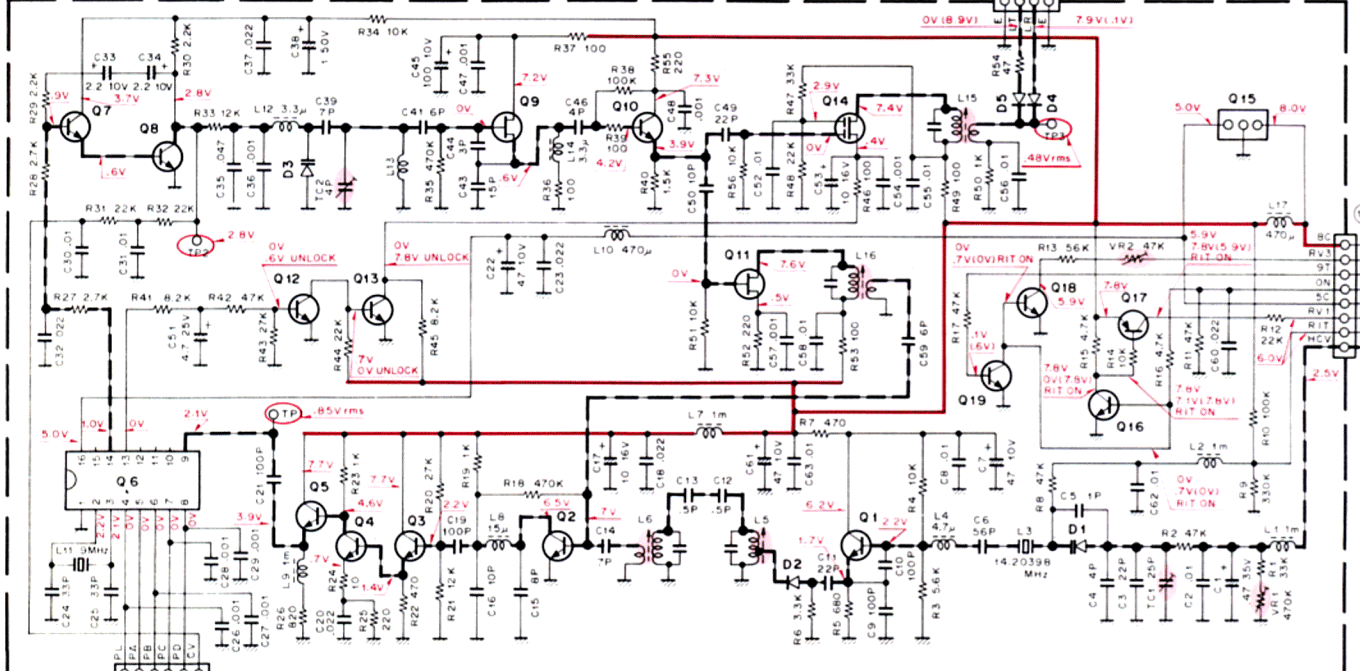
TR-9130

PC BOARD VIEW

PLL UNIT (X50-1860-00) [Component Side View]



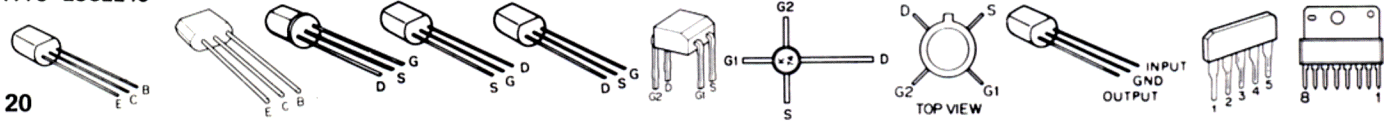
PLL UNIT (X50-1860-00)



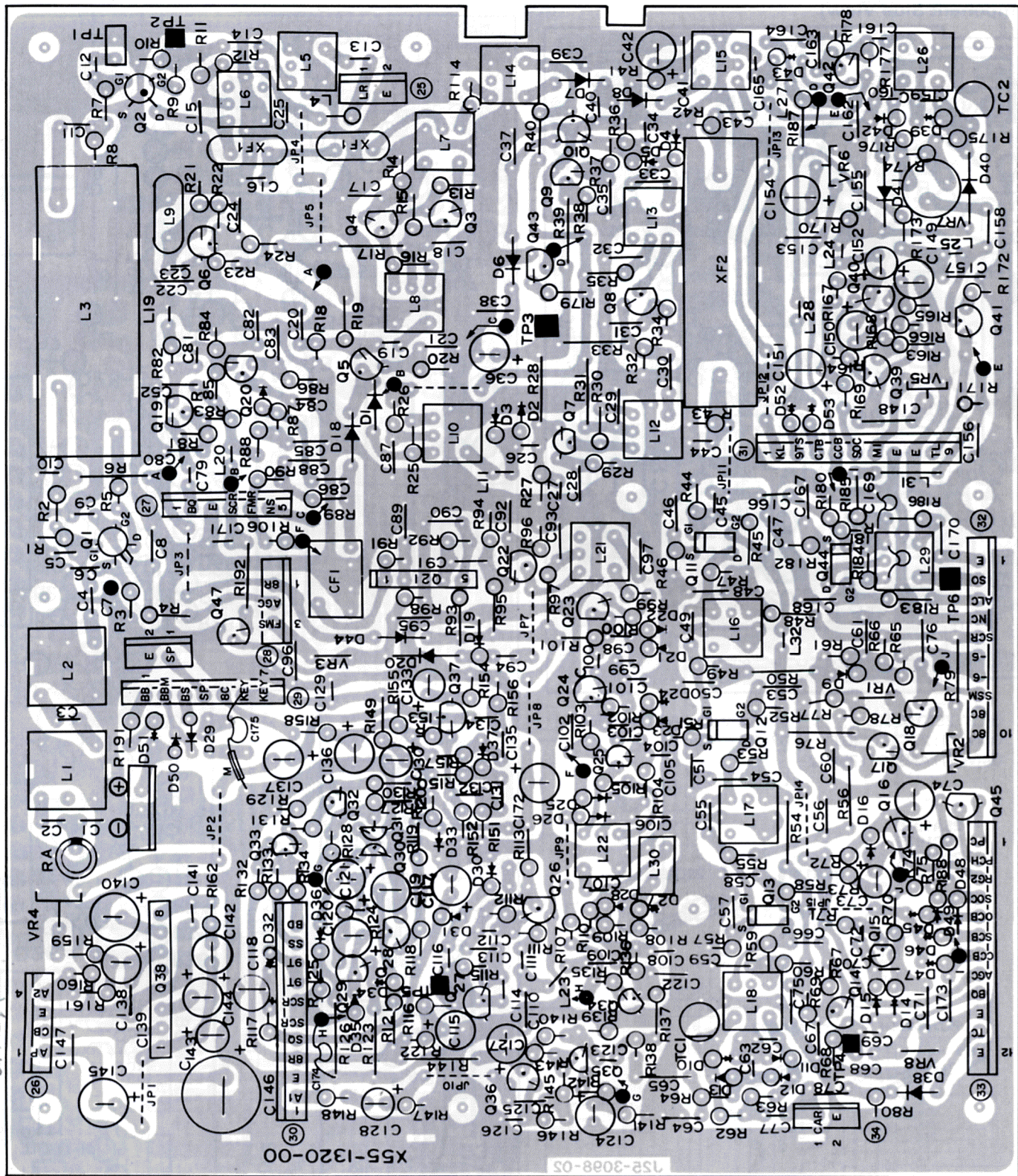
- | | | |
|------------------------|-----------------------------------|-----------------|
| Q1, 3~5 : 25C1675 (L) | Q11 : 25K61 (GR) | D1 : 15V54GC |
| Q2, 10 : 25C1923 (O) | Q12, 13, 16, 18, 19 : 25C1815 (Y) | D2 : 15S599 |
| Q6 : TC91258P | Q14 : 35K74 (L) | D3 : 15S2208 |
| Q7, 8 : 25C2240 (GR) | Q15 : NJM78L05A | D4, 5 : 15S2588 |
| Q9 : 25K19 (GR) TRI0-5 | Q17 : 25A1015 (Y) | |

- 25A1015 25C1815
25C1675 25C1923
25C1775 25C2240

- 25A1115 25K19 25K30A 25K61 35K73 35K74 35K76-O NJM78L05A TA7060P MB3713

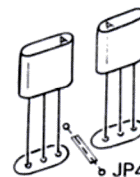


RX UNIT (X55-1320-00,11) [Component Side View]



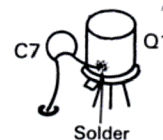
- Q1 : 3SK76-O Q2 : 3SK74(L) Q3-8,19,20,22-25 : 2SC1675(L)
- Q9,14,15,28-32,34,43,45,47 : 2SC2603(D,E) Q10,35,36,41 : 2SC1815(Y)
- Q11-13,44 : 3SK73(GR) Q16 : 2SK30A(GR) Q17 : 2SK30A(O)
- Q18 : 2SA1015(Y) Q21 : TA7060P Q26,27,37 : 2SC1775(E)
- Q33 : 2SA1115(D) or (E) Q38 : MB3713 Q39,40 : 2SC2240(GR) Q42 : 2SK61(GR)
- D1,6,9,16-18,21-26,29,32,34-37,44-53 : 1S1555
- D2-5,10-15,19,20,27,28,30,31,39-42 : 1N60 D7,8,38,43 : 1S1587 D33 : 1S1212

[Attachment direction of XF1]



XF 1 should be used as a pair.

[Attachment method of Q1 and C7]



TR-9130

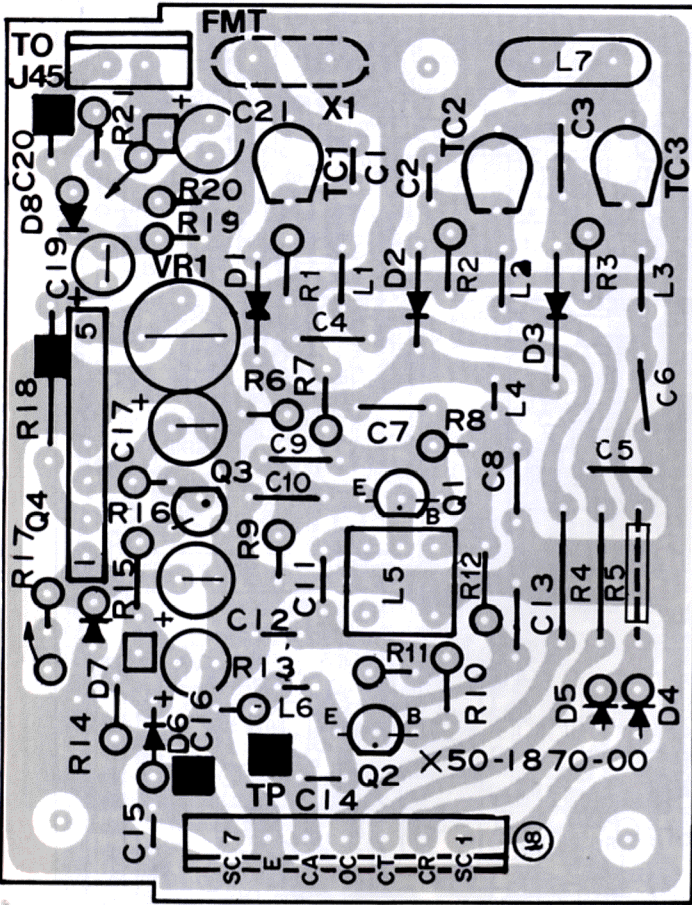
CAR UNIT (X50-1870-11,51,61)

[Component Side View]

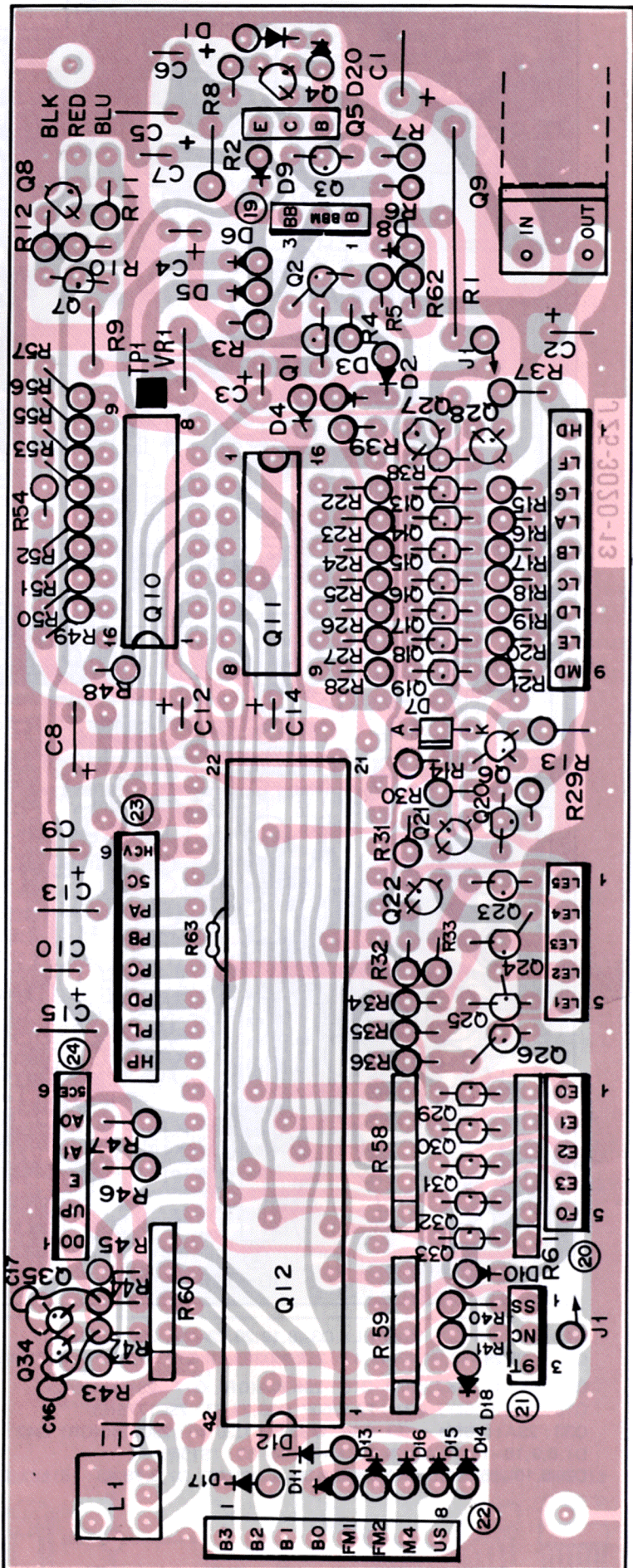
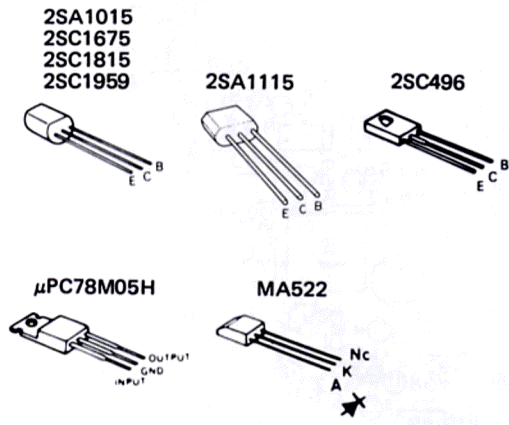
PC BOARD VIEWS

CONTROL UNIT (X53-1210-02)

[Component Side View]



- Q1,2 : 2SC1675(L)
- Q3(W,T) : 2SC2603(D,E)
- Q4(W,T) : AFG05F1750A2
- D1-5,6(W,T), 8(W,T) : 1S1555
- D7(W,T) : XZ-060

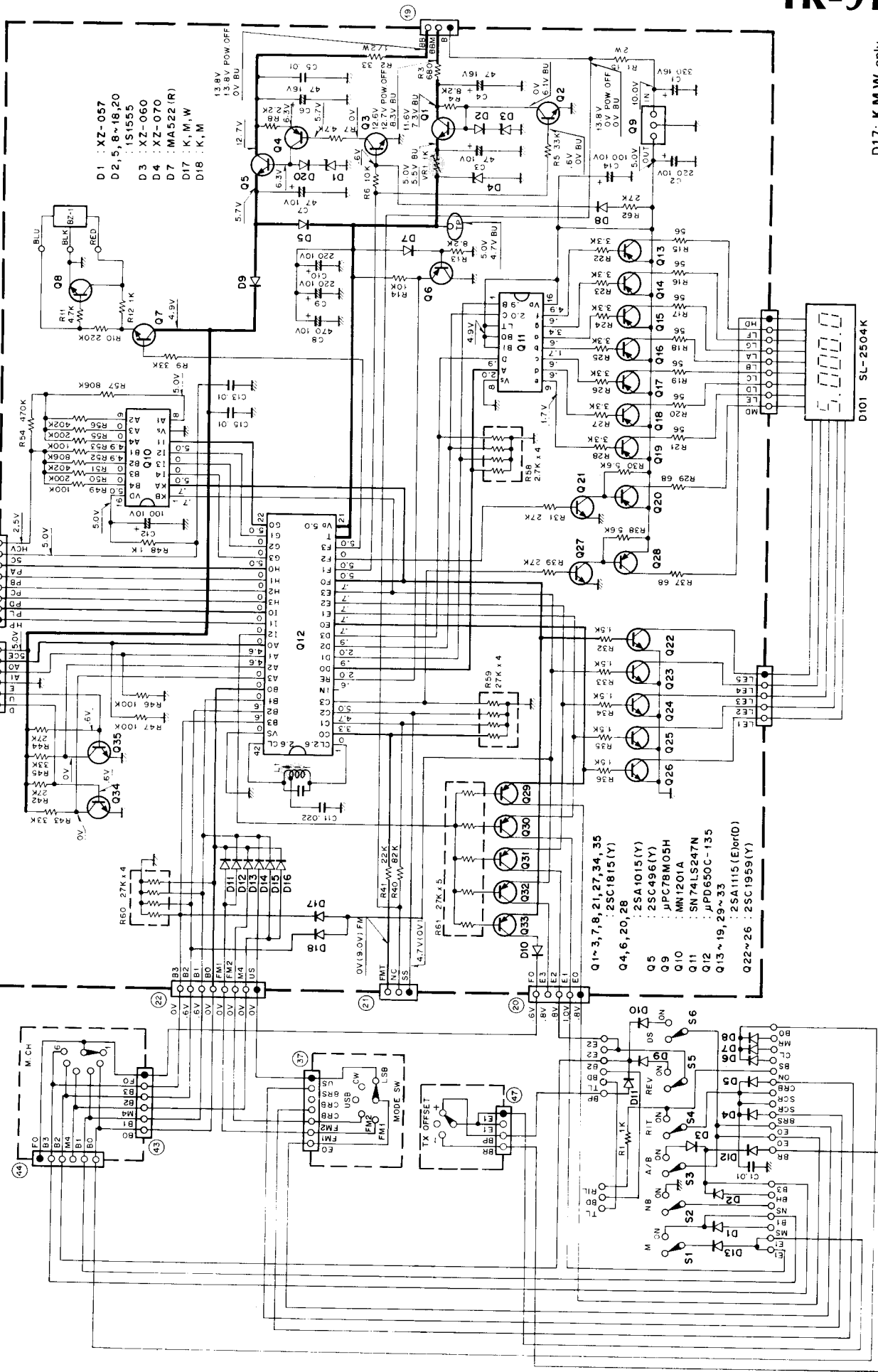


D17: K,M,W only
D18: K,M only

Signal line --- Control line --- Common DC line

MAIN ROTARY

CONTROL UNIT (X53-1210-11, -62)



D17: K,M,W only
D18: K,M only

ADJUSTMENTS

< Test Equipment >

1. DC V.M
 - High input impedance
2. RF VTVM (RF V.M.)
 - Input impedance: 1 MΩ and less than 2 pF
 - Voltage range: F.S. = 10 mV to 300V
 - Frequency range: 150 MHz or greater
3. Frequency counter (F count)
 - Minimum input voltage: 50 mV
 - Frequency range: 150 MHz or greater
4. DC power supply
 - Voltage 10V to 17V variable
 - Current: 6A min.
5. RF Dummy Load
 - Dissipation: 20W
 - Impedance: 50Ω
 - Frequency range: 144 MHz
6. AF VTVM (AF V.M.)
 - Input impedance: 1 MΩ or greater
 - Voltage range: F.S = 1 mV to 30V
 - Frequency range: 50 Hz to 10 kHz
7. AF Generator (AG)
 - Frequency range: 100 Hz to 10 kHz
 - Output: 0.5 mV to 1V
8. Linear detector
 - Frequency range: 144 MHz
9. Field strength tester
 - Frequency range: 144 MHz
10. Directional coupler
11. Oscilloscope
 - With horizontal input and high sensitivity
12. Standard signal generator (SSG)
 - Frequency range: 144 ~ 149 MHz
 - Modulation: amplitude and frequency modulation
 - Output: -20 dB ~ 100 dB
13. AF Dummy load
 - 8Ω, 5W (approx.)
14. Noise generator
 - Must generate ignition-like noise containing harmonics beyond 144 MHz
15. Sweep generator
 - Frequency range: 144 ~ 149 MHz

< Preparation >

Unless otherwise specified, set the controls as follows

POWER/VOL SW	ON
SEND/REC	REC
RF GAIN VOL	MAX (Full Clockwise)
SQUELCH VOL	MIN
MODE SW	USB
VFO A/B SW	A
REV	OFF
HI/LOW SW	HI
RIT VOL	Centered
RIT SW	OFF
NB SW	OFF
SCAN SW	OFF (HOLD ON)
MR	OFF
MS	OFF
DS	OFF

Notes:

- When adjusting the trimmers or coils, use a non-induced adjusting rod of bakelite, etc.
- When adjusting the RX section never transmit to prevent SSG damage.
- Connect MIC connector as shown in Fig. 23.
- The output level of SSG is indicated as SSG's open circuit.

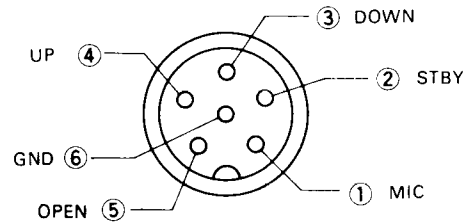


Fig. 23 MIC terminals
(view from front panel side)

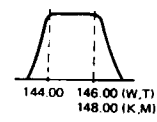
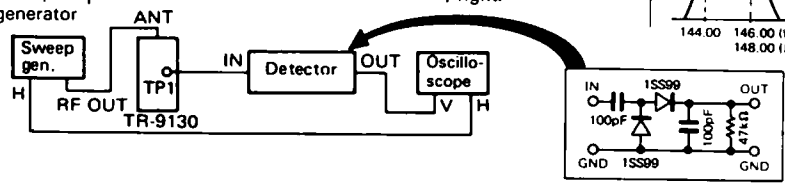
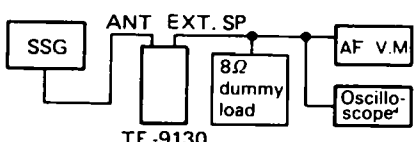
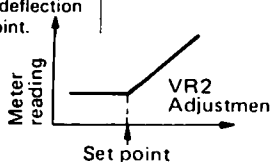
ADJUSTMENTS

< TR-9130 >

Item	Condition	Measurement			Adjustment			Specifications	
		Test equipment	Unit	Terminal	Unit	Parts	Method		
1. Voltage check in RX mode	1) 8C	DC V.M	DRIVE	⑭ 8C			Check	7.7 ~ 8.3V	
	2) 8R			⑭ 8R				7.7 ~ 8.3V	
	3) 9T			⑬ 9T				Less than 0.1V	
	4) -6			⑬ -6				-5.8 ~ -6.2V	
	5) 5C		PLL	⑰ 5C				4.8 ~ 5.2V	
2. Voltage check in TX mode	1) TX mode -6	DC V.M	DRIVE	⑬ -6			Check	-5.8 ~ -6.2V	
	2) 8R			⑭ 8R				Less than 0.5V	
	3) 9T			⑬ 9T	DRIVE	VR6		9.0V	+0.1V, -0V
3. Back up voltage check	1) RX mode Power SW: OFF		CONTROL	TP	CONTROL	VR1	5.0V	4.9 ~ 5.1V	
	2) Power SW: ON								
4. PLL	1) MODE SW: FM1 A/B SW: B f: 144.00 (W.T), 148.00 (K.M)	DC V.M	PLL	TP2	PLL	TC2	2.0V (W.T) 6.0V (K.M)	± 0.5V	
	2) f: 145.98 (W.T.), 148.00 (K.M)	RF V.M		TP1				L5, 6, 16	MAX (Repeat)
	3) A/B SW: A f: 145.00 (W.T), 148.00 (K.M) TX mode			TP3	L15	MAX	More than 0.4V		
	4) RX mode								
5. PLL frequency	1) MODE SW: USB f: 144.9999	f counter	PLL	TP3	PLL	TC1	134.3064 MHz	± 30 Hz	
	2) f: 145.0000						VR1	134.3065 MHz	± 30 Hz
	3) RIT control: centered RIT SW: ON						VR2	134.3065 MHz	± 30 Hz
	4) RIT control: CW								134.3073 MHz or greater
	5) RIT control: CCW								134.3057 MHz or less
	6) TX mode								134.3065 MHz
	7) RX mode RIT control: centered RIT SW: OFF								
6. CAR	1) MODE SW: USB	RF V.M	CAR	TP	CAR	L5	Adjust 0.3V with adjust the core CCW. from the peak		
	2)	f counter				TC3	10.6935 MHz	± 50 Hz	
	3) MODE SW: CW TX mode					TC2	10.6943 MHz	± 50 Hz	
	4) RX mode						Check	10.6935 MHz	
	5) MODE SW: LSB						TC1	10.6965 MHz	± 50 Hz

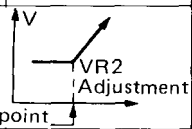
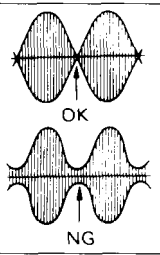
ADJUSTMENTS

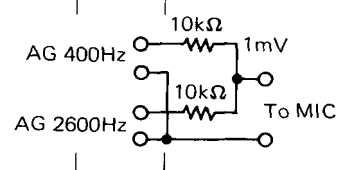
< RX SECTION >

Item	Condition	Measurement			Adjustment			Specifications
		Test equipment	Unit	Terminal	Unit	Parts	Method	
1. RG1 voltage	1) RG1 voltage	DC V.M	DRIVE	RG1	DRIVE	VR5	4.0V	± 0.1V
2. Helical	1) Connect the sweep generator output to the ANT terminal.	Oscilloscope, Sweep generator	RX	TP1	RX	L1, 2, 3	Adjust to obtain the waveform shown at right.	
								
3. Sensitivity adjustment	1) Connect an AF VTVM, oscilloscope, and an 8Ω load to the EXT SP terminal. Connect an SSG to the ANT terminal on the rear panel.	SSG, Oscilloscope, AF V.M, 8Ω dummy load						
								
	2) f: 145.100 (W.T), 146.100 (K.M) SSG: -10 dBμ MODE SW: CW Turn L7 (RX unit) full CCW, then turn 1-1/2 CW.	AF V.M Oscilloscope		EXT. SP	RX	L5, 7 14 ~ 18	MAX (First L14, then L7)	(3.5V) Note: () Reference Value
	3) RF GAIN control: MIN (full CCW)	RF V.M	RX	TP4	RX	TC1	MIN	(0.003V)
	4) RF GAIN control: MAX MODE SW: FM1 SSG output: 10 dBμ (MOD: 1 kHz) (DEV.: 5 kHz)	AF V.M S-Meter				L7, 22 L6, 8	MAX MAX	(5.0V)
	5) SSG output: 100 dBμ	AF V.M Oscilloscope					Check	Should be normal output is obtained.
	6) SSG output: -7 dBμ (W.T) -6 dBμ (K.M)			EXT SP			S/N	More than 20 dB
4. FM S-Meter	1) SSG output: 30 dBμ	S-Meter			RX	VR3	Adjust VR3 for a meter reading of "10" on a scale of 1 - 10.	
5. SSB CW S-Meter	1) MODE SW: USB SSG output: OFF Adjust L17 CCW, until S-Meter not deflects. (This adjustment is needed when S-Meter deflects by noise.)	S-Meter			RX	VR2	Set to the deflection starting point.	
	2) SSG output: 0 dBμ Adjust the frequency for maximum S-Meter reading.	S-Meter			RX	L17	Turn the core CCW, until the meter reads "1" on a scale of 1 - 9.	
	3) SSG output: 20 dBμ					VR1	The meter reads "9" on a scale of 1 - 9.	
6. NB	1) SSG output: 15 dBμ	DC V.M	RX	TP3	RX	L10, 12	MIN (Repeat)	(2.6V)
	2) Pulse noise							Pulse noise should be reduced.
7. SSB sensitivity	1) SSG output: -8 dB (W.T) -6 dB (K.M)	AF V.M Oscilloscope	EXT. SP				Check	S/N more than 10 dB
8. SSB squelch	1) MODE SW: FM2 f: 145.10 (W.T), 146.10 (K.M) SSG output: OFF	BUSY LED			Front panel	SQ control	Turn the SQ control CW, until the LED goes off.	
	2) MODE SW: USB SSG output: -13 dBμ				RX	VR8	LED goes off	

ADJUSTMENTS

< TX SECTION >

Item	Condition	Measurement			Adjustment			Specifications
		Test equipment	Unit	Terminal	Unit	Parts	Method	
1. FM CAR	1) Disconnect the LT ⑩ connector on the DRIVE unit. MODE SW: FM1 TX mode	RF V.M	DRIVE	TP1	DRIVE	L6	MAX	(0.2V)
	2)	f counter				TC1	10.6950 MHz	± 100 Hz
2. Drive	1) Disconnect the LT ⑩ connector on the DRIVE unit. f: 145.00 (W.T), 146.00 (K.M) DRIVE unit (VR4: full CCW) (TC3: MAX)	RF V.M	DRIVE	TP2	DRIVE	L6, 11 ~ 14 TC2	MAX (Repeat)	(3V)
	2) Connect power meter to D0 terminal.	Power meter (0.6W)		D0		TC2, 3	MAX	(0.25W)
3. Power	1) Reconnect D0 terminal coaxial cable.	Power meter (30W)		ANT	DRIVE	TC3	MAX	Greater than 17W
	2) f: 144.00 or 145.98 (W.T) 148.00 (K.M)						Check	Greater than 17W
	3) f: 145.00 (W.T), 146.00 (K.M)	DC A.M				VR4	28W Check	Less than 6.2A
	4) f: 145.98 (W.T), 147.00 (K.M)	Spectrum analyzer				VR2	Min. ± 10.7 MHz spurious	Less than -60 dB
4. RF meter LOW power	1) HI/LOW SW: HI	Meter			FINAL	VR1	The meter reads "8" on a scale of 1 ~ 10.	
	2) HI/LOW SW: LOW	Power meter		ANT	DRIVE	VR3	5W	
	3) f: 144.00 or 145.98 (W.T) 148.00 (K.M)						Check	0.5 ~ 2.0W
5. Protection	1) f: 145.00 (W.T), 148.00 (K.M) HI/LOW SW: HI	DC V.M	FINAL	TP	FINAL	VR3	MIN	(30mV)
	2) ANT terminal on rear panel: open		DRIVE	⑥ PCH		VR2	Adjust the VR2 CW, set the voltage the point where the voltage is increased rapidly.	
	3) Connect power meter	DC A.M						Less than 2.3A (total current)
6. FM deviation	1) Mic terminal: AG (1 kHz, 15 mV)	Linear detector			DRIVE	VR1	5 kHz	
	2) AG output: 1 kHz, 4mV						Deviation check	Greater than 3.5 kHz
7. CW CAR level	1) Disconnect the ⑩ LT connector on the DRIVE unit. f: 144.50 MODE SW: CW	RF V.M	RX	TP6	RX	L26, 29 VR6	MAX 0.2V	
	2) Reconnect the ⑩ LT connector on the DRIVE unit.							
8. CAR point	1) MODE SW: USB MIC terminal: two-tone signal (400 Hz + 2600 Hz)	Oscilloscope Power meter			CAR	TC3	Adjust to obtain the waveform shown.	
	2) MODE SW: LSB					TC1	Adjust as in 8-1)	



ADJUSTMENTS

Item	Condition	Measurement			Adjustment			Specifications
		Test equipment	Unit	Terminal	Unit	Parts	Method	
9. CAR suppression	1) MIC terminal: open MODE SW: USB or LSB	Oscilloscope or Spectrum analyzer Power meter			RX	TC2 VR7	MIN	More than -50 dB
10. SSB MIC gain	1) MODE SW: USB MIC terminal: AG (1.5 kHz, 1.5 mV)	Power meter		ANT	RX	VR5	5W	
	2) MIC terminal: AG (1.5 kHz, 15 mV)						Check	More than 25W
11. Side tone	1) MODE SW: CW AF control: centered Connect a key to the KEY terminal on the rear panel Key down.	AF V.M Power meter		EXT. SP	RX	VR4	0.5V	
	2) Confirm CW DELAY				DRIVE	VR7	Turn TR7 CW. Turn VR7 CCW	DELAY time should become longer. DELAY time should become shorter.
	3) DELAY					VR7	Center	
12. Tone W, T type only	1) W-Type ONLY MODE SW: FM1 TONE SW: ON	f counter Linear detector	CAR	TO	CAR	VR1	1750 Hz Check	Greater than 2.5 kHz
	2) T-TYPE ONLY MODE SW: FM1 Connect TP5 and TPL TONE SW: ON TX mode	f counter Linear detector	CAR	TO	CAR	VR1	1750 Hz Check	Greater than 2.5 kHz

< Micro-processor operational check >

Item	Condition	Specification
1. Reset check	1) Disconnect DC power. Reconnect after waiting 20 sec Disconnect the BACK-UP battery if a battery is installed.	Display 5.000.0
	2) VFO A/B SW: B	Display 4.000.0
	3) VFO A/B SW: A MR SW: ON MEMORY SW: 1	Display 5.000.0
	4) MEMORY SW: 2 ~ 6	Display 4.000.0
	5) MR SW: OFF	
2. Dial step and number of digits displayed	1) MODE SW: USB, CW, LSB Turn the VFO dial clockwise one click at a time until the display becomes 5.001.0, then turn it counterclockwise until 4.999.0 is displayed.	The display should vary in 100 Hz steps. (5 digits display)
	2) DS SW: ON Turn the VFO dial.	The display should vary in 5 kHz steps. (5 digits display)
	3) MODE SW: FM2 Turn the VFO dial.	The display should vary in 1 kHz steps. (4 digits display)
	4) DS SW: OFF Turn the VFO dial.	The display should vary in 5 kHz (K.M), 12.5 kHz (W.T) steps.

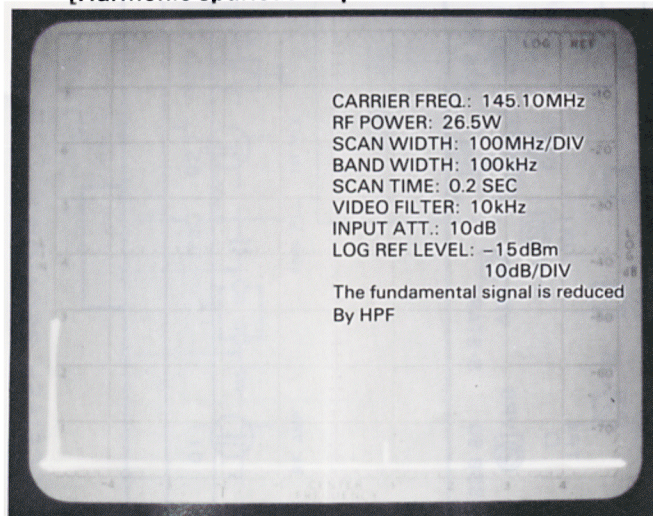
Item	Condition	Specification	
	5) MODE SW: FM1 Turn the VFO dial.	The display should vary in 10 kHz (K.M), 25 kHz (W.T) steps	
	6) DS SW: ON	The display should vary in 5 kHz (K.M), 25 kHz (W.T) steps	
3. Memory write	1) MODE SW: FM2 MEMORY SW: 1 f: 145.001 M SW: ON	The tone should be heard when the M SW is pressed.	
	2) MEMORY SW: 2 f: 145.002 M SW: ON		
	3) MEMORY SW: 3 f: 145.003 M SW: ON		
	4) MEMORY SW: 4 f: 145.004 M SW: ON		
	5) MEMORY SW: 5 f: 145.005 M SW: ON		
	6) MEMORY SW: 6 f: 145.006 M SW: ON		Pulsed tone sounds when the M SW is pressed.
	7) MEMORY SW: 6 f: 145.007 M SW: ON		Stop pulsed tone when the M SW is pressed.

ADJUSTMENTS

Item	Condition	Specification
4. Memory call	1) MR SW: ON	Display 145.006
	2) Transmit	Display 145.007
	3) Receive	Display 145.006
	4) MEMORY SW: 5 ↓ 4 ↓ 3 ↓ 2 ↓ 1	Display 145.005 Display 145.004 Display 145.003 Display 145.002 Display 145.001
	5) MR SW: OFF	Display 145.007
5. MS	1) SQ control: MAX (full CW) MS SW: ON	Display scans repeatedly from 5.001 ~ 5.006 by 1 CH steps. The MHz decimal flashes.
	2) SQ control: MIN (full CCW)	Memory scan stops. The MHz decimal flashes. The BUSY indicator lights.
	3) SCAN SW: ON	The next memory channel is displayed when the scan SW is depressed.
	4) SQ control: Turn until BUSY LED goes off.	Scan starts.
	5) HOLD SW: ON	Scan stops. The MHz decimal flashes.
	6) SCAN SW: ON	Scan starts.
	7) Transmit	Scan stops. The MHz decimal stops flashing.
	8) Receive	Scan stops. The MHz decimal flashes.
	9) MS SW: OFF	Display 5.007
6. SCAN	1) SQ control: MAX (full CW) SCAN SW: ON	Display should vary in 1 kHz steps, and scan within 1 MHz. (0.000 ~ 0.999)
	2) SQ control: MIN (full CCW)	Scan stops. The MHz decimal flashes.
	3) SQ control: Turn until BUSY LED goes off.	Scan resumes.

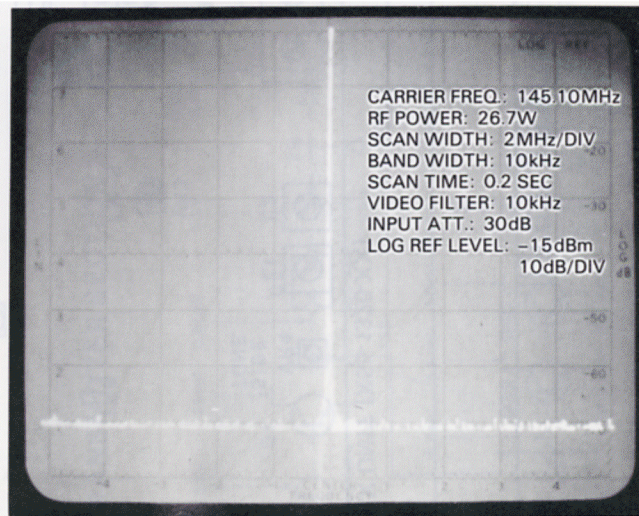
Item	Condition	Specification	
	4) HOLD SW: ON	Scan stops.	
	5) SCAN SW: ON	Scan resumes. The MHz decimal flashes.	
	6) Transmit	Scan stops. The MHz decimal remains on.	
	7) Receive	Scan stops. The MHz decimal remains on.	
	7. SHIFT	1) MODE SW: FM1 TX OFFSET: + f: 147.40 (K.M), 145.40 (W,T) Transmit	The tone sounds.
		2) f: 147.39 (K.M), 145.39 (W,T) Transmit	Display 147.99 (K.M), 145.99 (W.T)
		3) f: 144.59 TX OFFSET: - Transmit	The tone sounds.
4) f: 144.60 Transmit		Display 144.00	
5) REV SW: ON		Display 144.00	
6) Transmit		Display 144.60	
7) REV SW: OFF TX OFFSET: S			
8. UP/DOWN (Micro- phone)	1) MODE SW: USB Connect MIC to the MIC terminal. Momentarily press the MIC up switch.	The tone sounds. Display frequency increases by 100 Hz at each key press.	
	2) Press the UP switch continuously.	The display frequency increases continuously, and tone is continuous.	
	3) Press the DOWN switch.	The tone sounds. Display frequency decreases by 100 Hz at each key press.	
	4) Press the DOWN switch continuously.	The display frequency decreases continuously, and tone is continuous.	

[Harmonic spurious response characteristic]



145.10 MHz

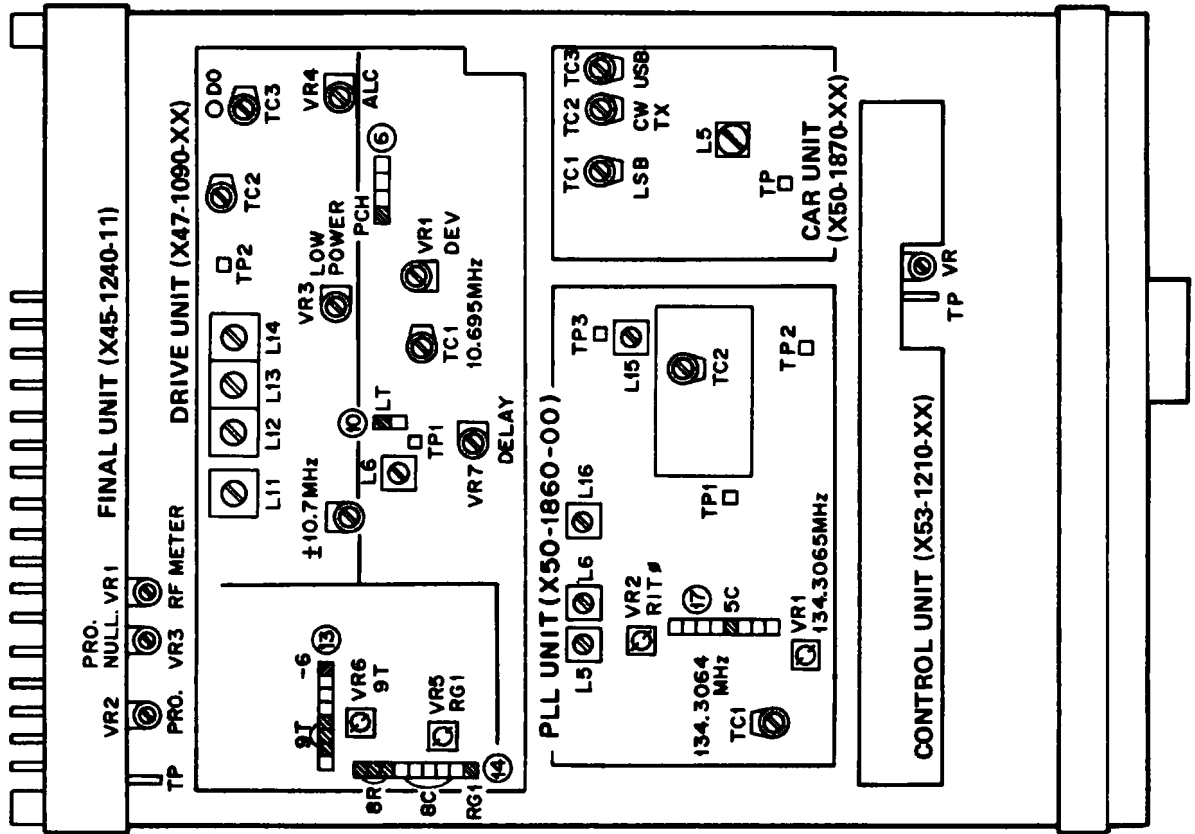
[Adjacent spurious response characteristic]



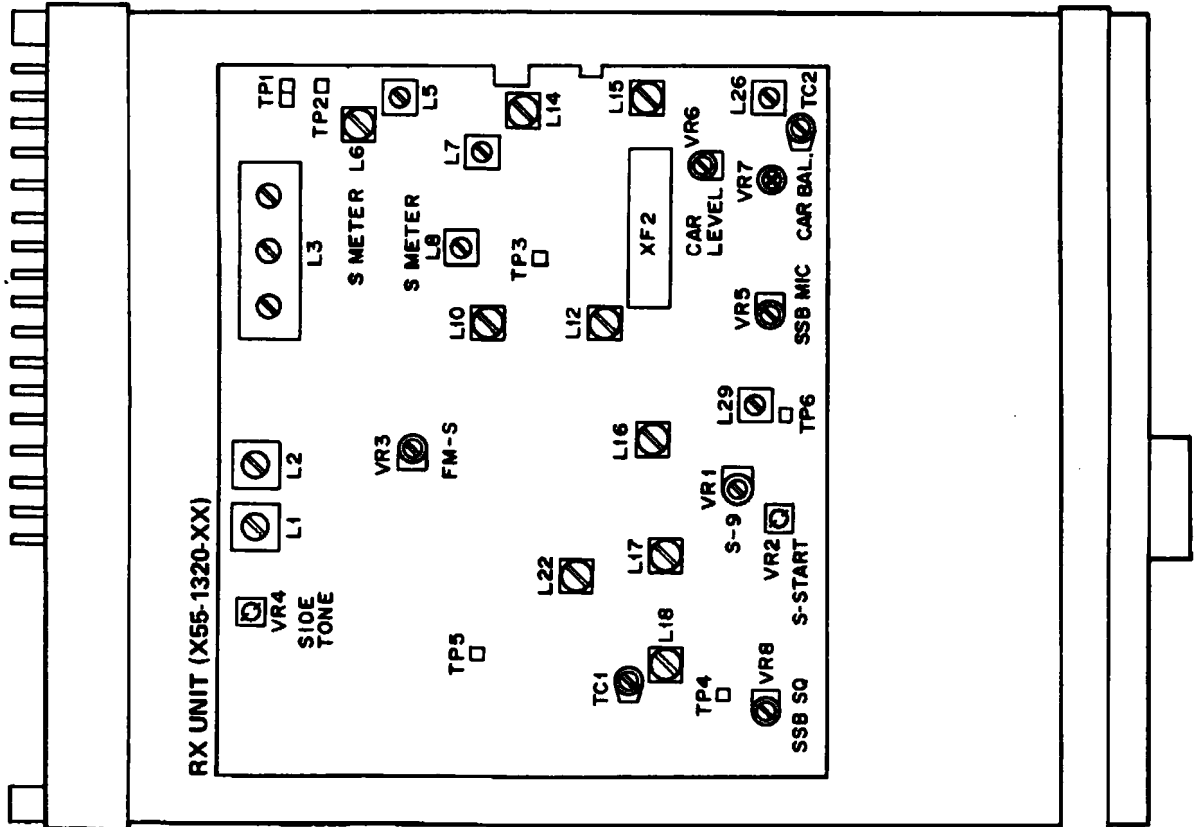
145.10 MHz

ADJUSTMENTS

[Top View]

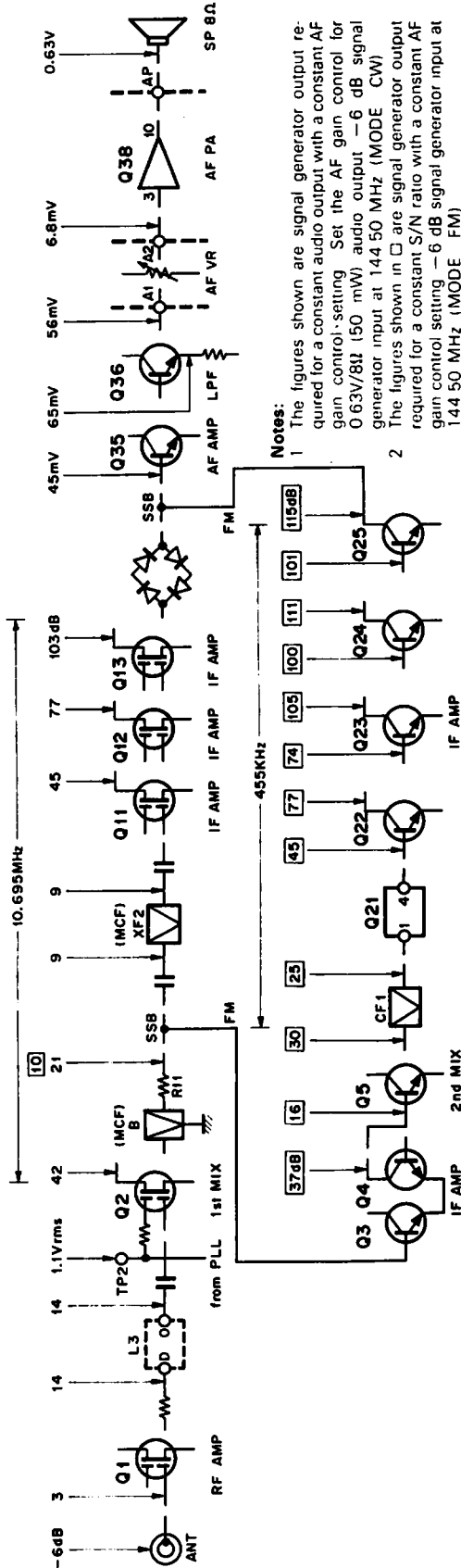


[Bottom View]



LEVEL DIAGRAM

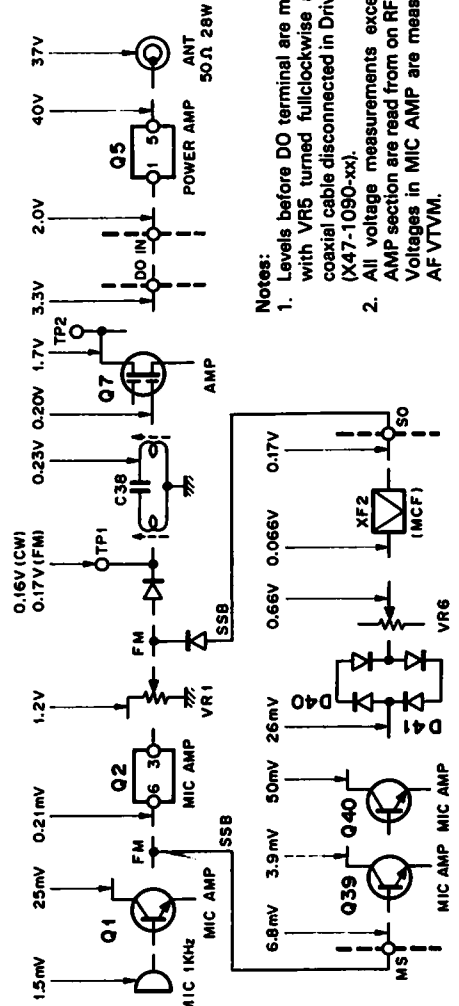
< RECEIVER SECTION >



Notes:

- 1 The figures shown are signal generator output required for a constant audio output with a constant AF gain control-setting. Set the AF gain control for 0.63V/80 (150 mW) audio output -6 dB signal generator input at 144.50 MHz (MODE CW)
- 2 The figures shown in □ are signal generator output required for a constant S/N ratio with a constant AF gain control setting -6 dB signal generator input at 144.50 MHz (MODE FM)
- 3 The figures shown after the ring detector are audio output levels
- 4 To inject signal generator output connect a 0.01 μF 500V capacitor between the signal generator and the check point

< TRANSMITTER SECTION >



Notes:

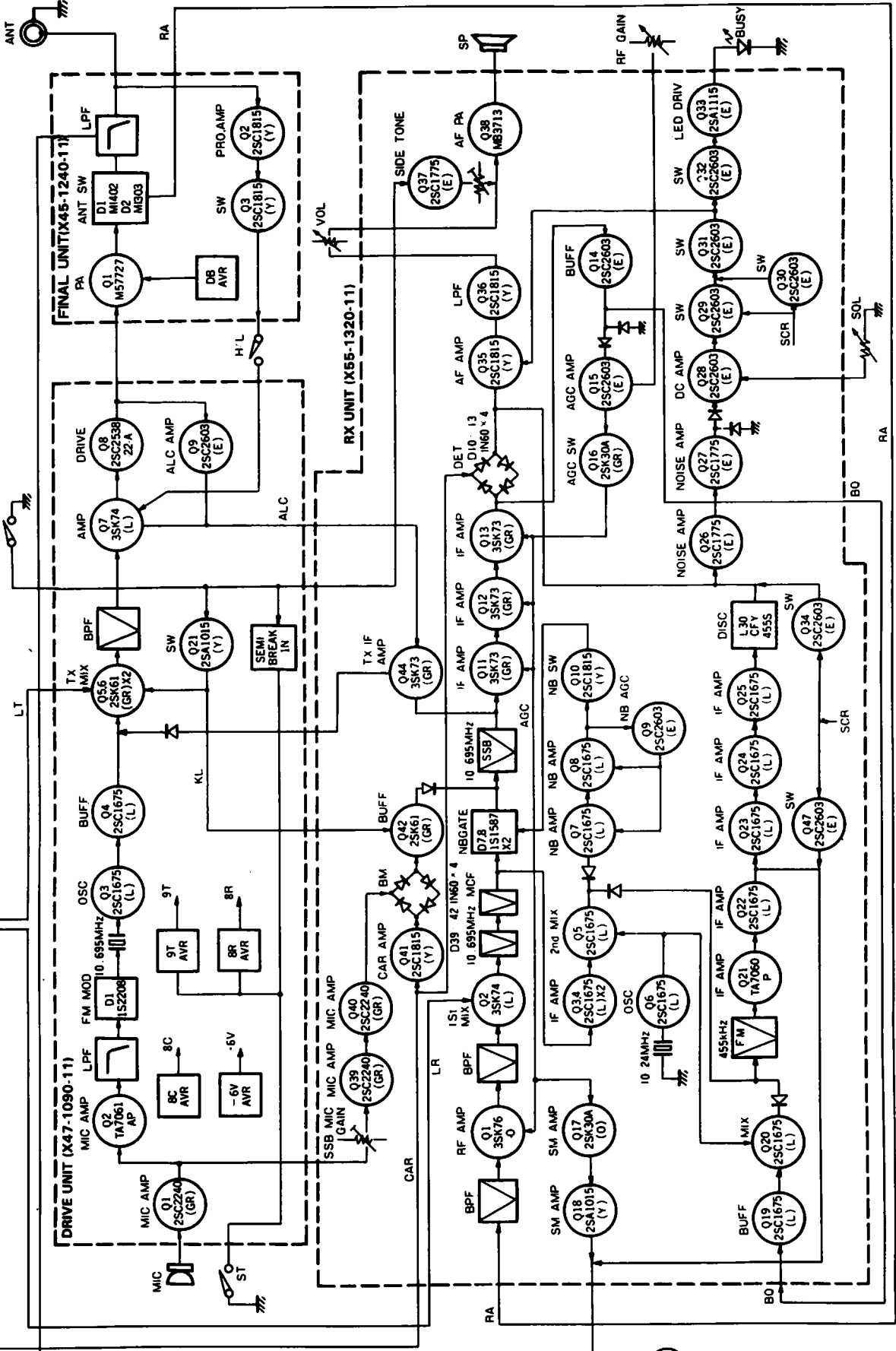
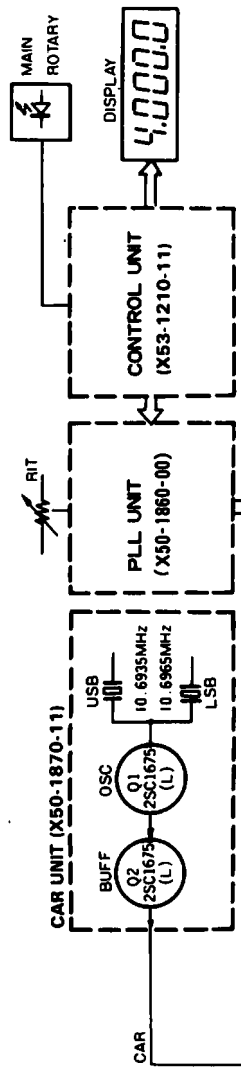
1. Levels before DO terminal are measured with VR5 turned fullclockwise and DO coaxial cable disconnected in Drive unit (X47-1090-xx).
2. All voltage measurements except MIC AMP section are read from on RF VTVM. Voltages in MIC AMP are measured by AF VTVM.

< REFERENCE >

Japanese "SG"	American "SG"
-6 dB	0.25 μV
0 dB	0.5 μV
6 dB	1 μV
12 dB	2 μV
24 dB	8 μV
30 dB	15.8 μV
40 dB	50 μV
50 dB	158 μV
60 dB	500 μV
70 dB	1.58 mV
80 dB	5 mV
90 dB	15.8 mV
100 dB	50 mV
120 dB	0.5V

BLOCK DIAGRAM (K)

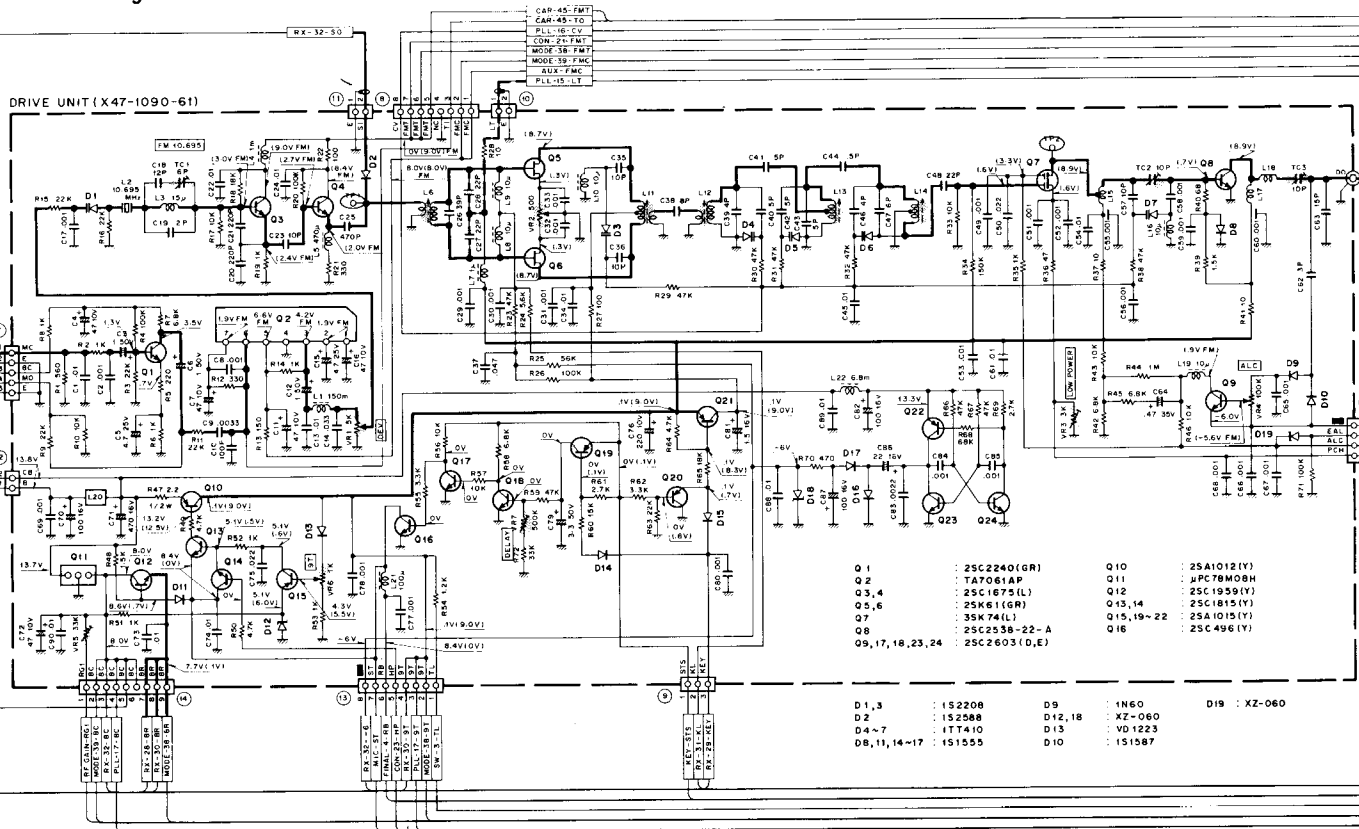
CAR FREQUENCY		HET FREQUENCY (VCO)	
MODE	FREQUENCY (MHZ)	MODE	FREQUENCY (MHZ)
USB	10 6935	FM	133.405
CW(R)	10 6935		~138.304
CW(T)	10 6943	USB	133.4065
LSB	10 6965	CW	~138.3064
		LSB	133.4035
			~138.3034



— Signal line - - - Control line — Common DC line

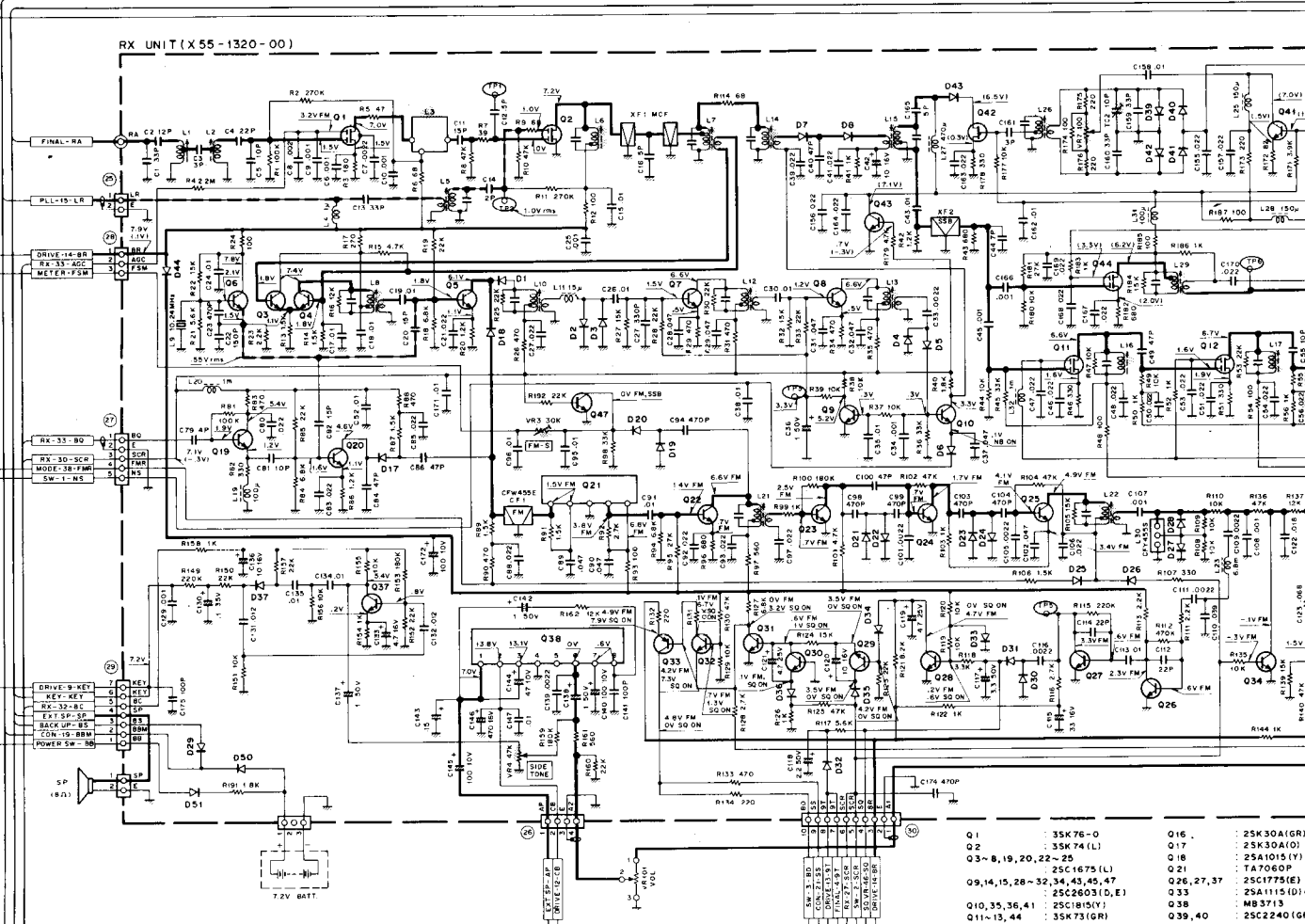
SCHEMATIC DI

DRIVE UNIT (X47-1090-61)



- | | | | |
|--------------------|----------------|------------|------------------|
| Q 1 | : 25C2240(GR) | Q10 | : 25A1012(Y) |
| Q 2 | : TA7061AP | Q11 | : μ PC78M08H |
| Q 3, 4 | : 25C1675(L) | Q12 | : 25C1059(Y) |
| Q 5, 6 | : 25K61(GR) | Q13, 14 | : 25C1815(Y) |
| Q 7 | : 35K74(L) | Q15, 19-22 | : 25A1015(Y) |
| Q 8 | : 25C2538-22-A | Q16 | : 25C496(Y) |
| Q9, 17, 18, 23, 24 | : 25C2603(D,E) | | |
-
- | | | | | | |
|----------------|----------|---------|----------|-----|----------|
| D 1, 3 | : 152208 | D 9 | : 1N60 | D19 | : XZ-060 |
| D 2 | : 152088 | D12, 18 | : XZ-060 | | |
| D 4-7 | : 1T7410 | D13 | : VD1223 | | |
| D 8, 11, 14-17 | : 151555 | D10 | : 151587 | | |

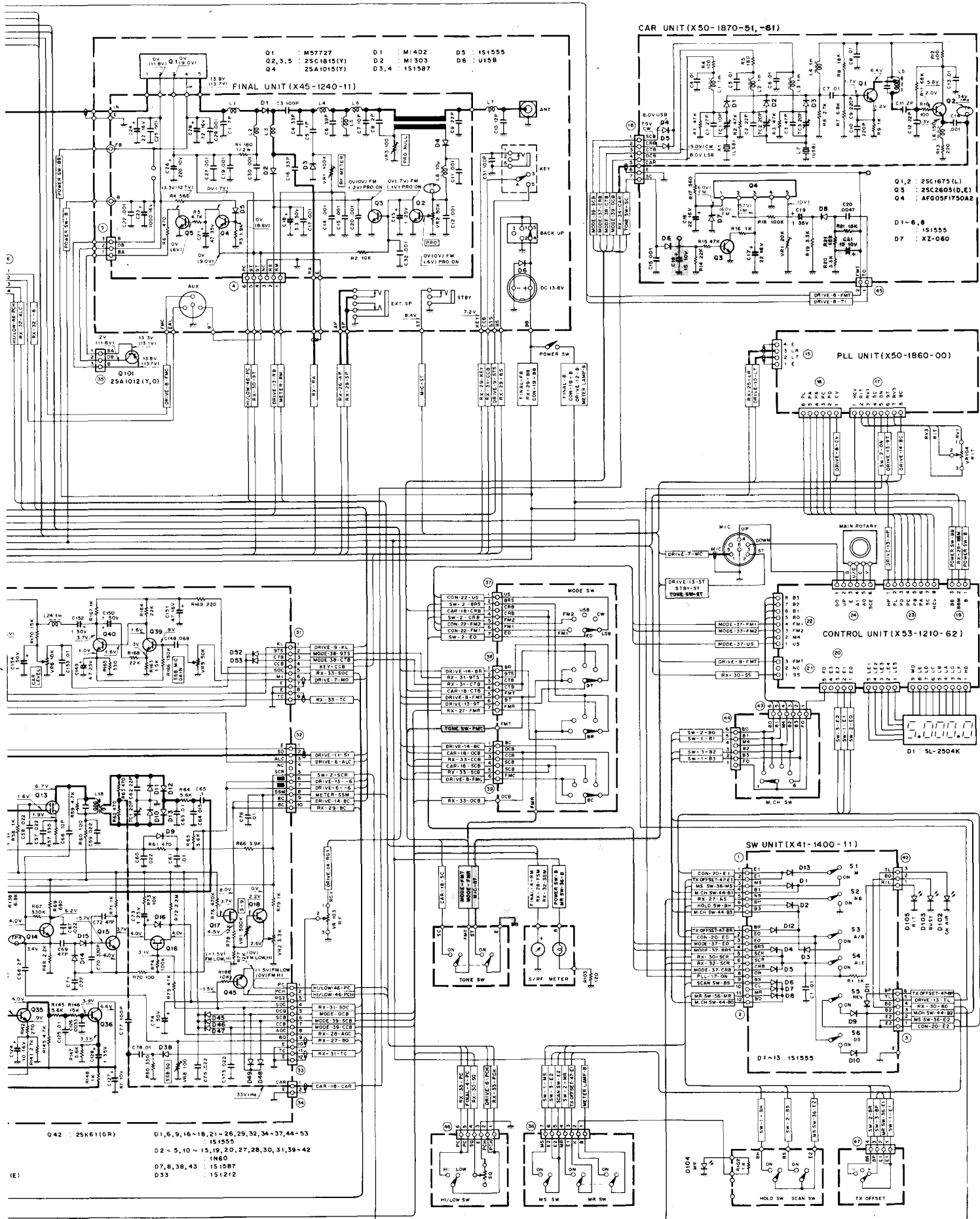
RX UNIT (X55-1320-00)



- | | | | |
|-----------------------------------|----------------|-------------|---------------|
| Q 1 | : 35K76-0 | Q16 | : 25K30A(GR) |
| Q 2 | : 35K74(L) | Q17 | : 25K30A(O) |
| Q 3-8, 19, 20, 22-25 | : 25C1675(L) | Q18 | : 25A1015(Y) |
| Q9, 14, 15, 28-32, 34, 43, 45, 47 | : 25C1675(L) | Q21 | : TA7060P |
| Q10, 35, 36, 41 | : 25C2603(D,E) | Q26, 27, 37 | : 25C1775(E) |
| Q11-13, 44 | : 35K73(GR) | Q33 | : 25A1115(OI) |
| | | Q38 | : MB3713 |
| | | Q39, 40 | : 25C2240(GR) |

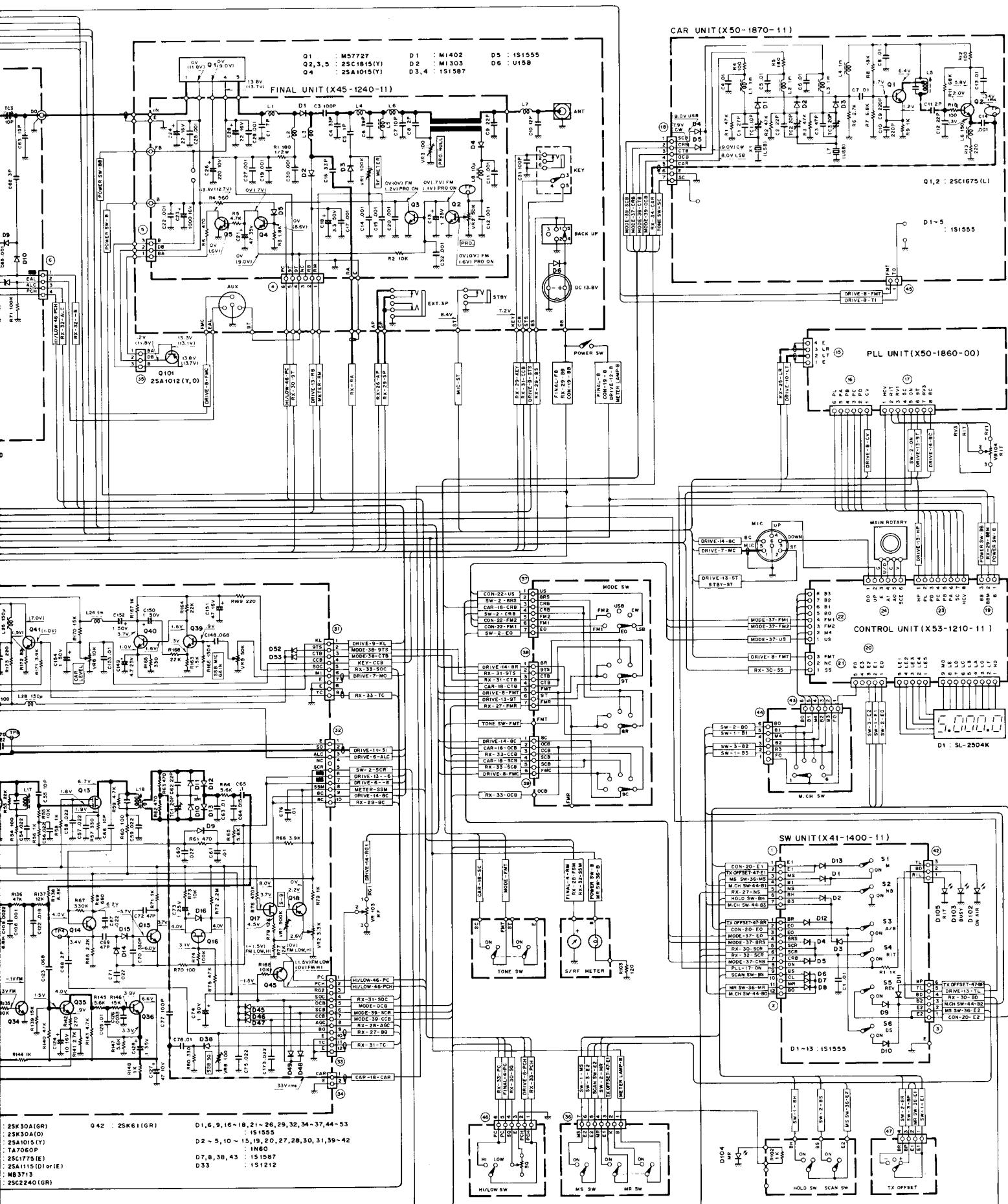
AGRAM (W, T)

Voltage measurement conditions
f = 145.000 MHz, MODE USB, RX no signal. (): TX



SCHEMATIC DIAGRAM (K, M)

Voltage measurement conditions
f = 145.000 MHz, MODE USB, RX no signal. () : TX



- Q1 : M57727
- Q2, 3, 5 : 25C1815 (Y)
- Q4 : 25A1015 (Y)
- D1 : M1402
- D2 : M1303
- D3, 4 : 1S1587
- D5 : 1S1555
- D6 : U158

FINAL UNIT (X45-1240-11)

CAR UNIT (X50-1870-11)

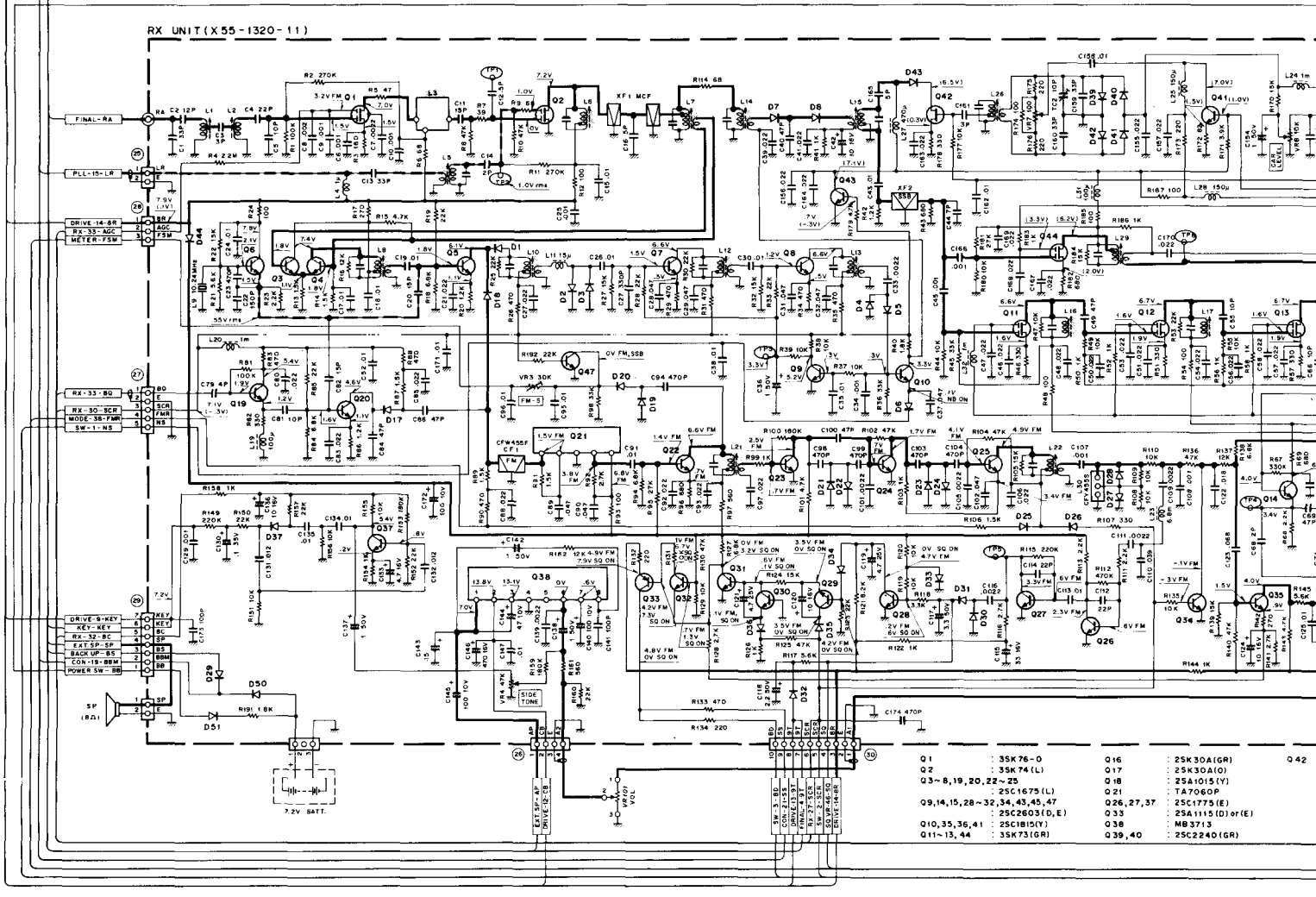
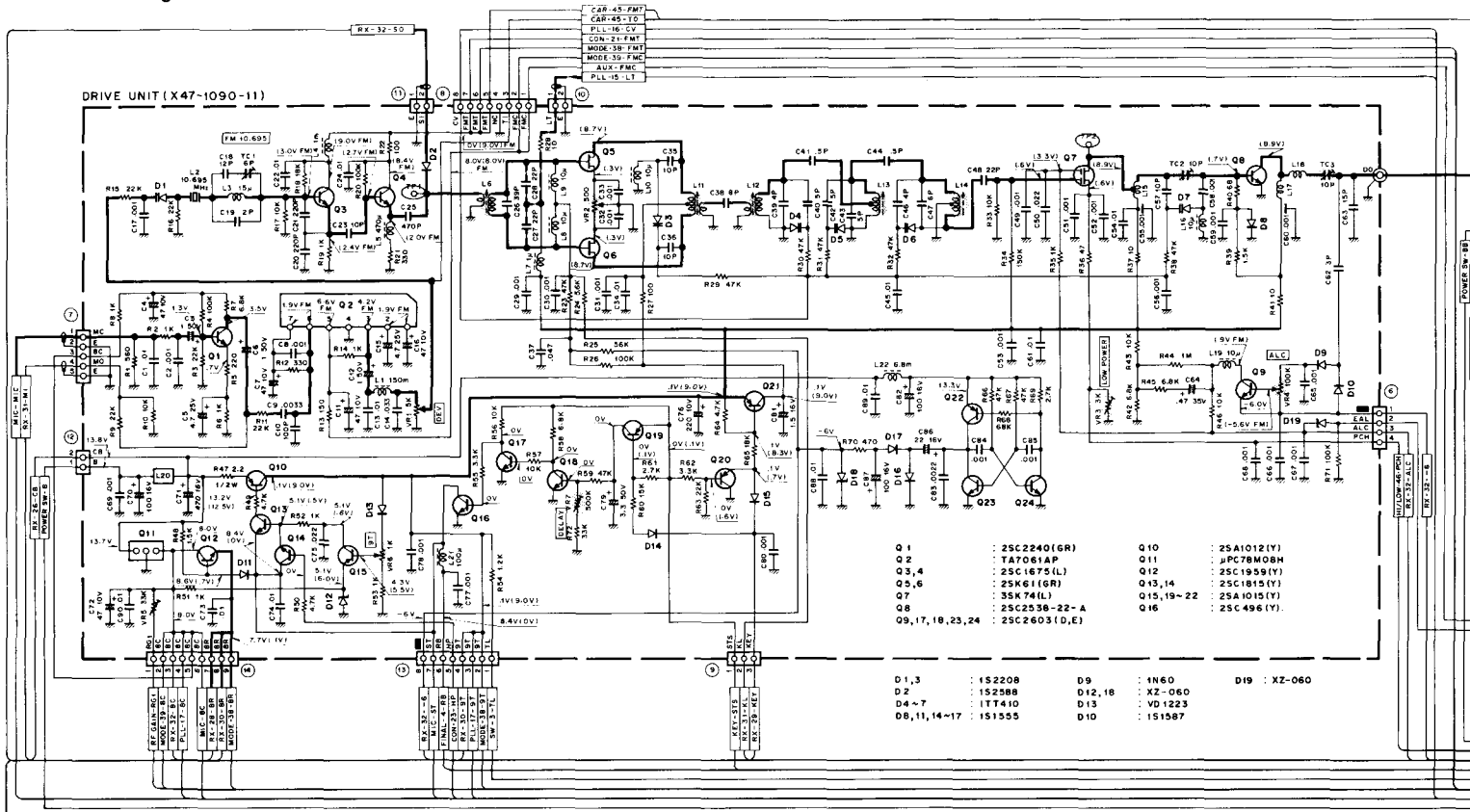
PLL UNIT (X50-1860-00)

CONTROL UNIT (X53-1210-11)

SW UNIT (X41-1400-11)

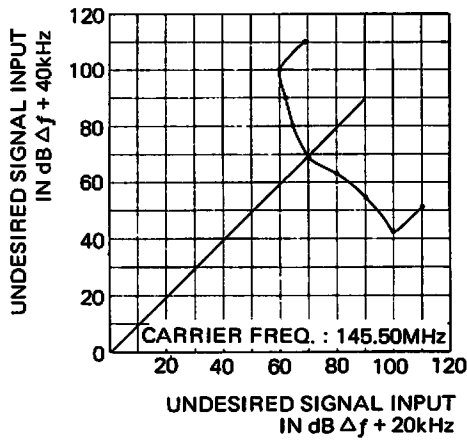
- 25K30A (GR)
- 25K30A (O)
- 25A1015 (Y)
- TA7060P
- 25C1775 (E)
- 25A1115 (D) or (E)
- MB 713
- 25C2240 (GR)
- Q42 : 25K61 (GR)
- D1, 6, 9, 16-18, 21-26, 29, 32, 34-37, 44-53 : 1S1555
- D2-5, 10-15, 19, 20, 27, 28, 30, 31, 39-42 : 1N60
- D7, 8, 38, 43 : 1S1587
- D33 : 1S1212

— Signal line - - - Control line — Common DC line

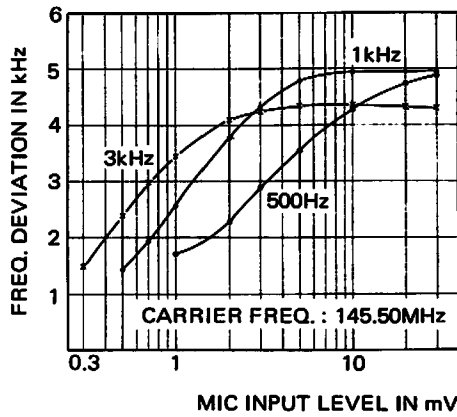


REFERENCE DATA

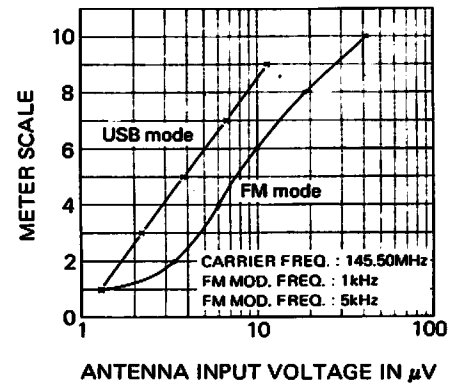
[Inter modulation] FM mode



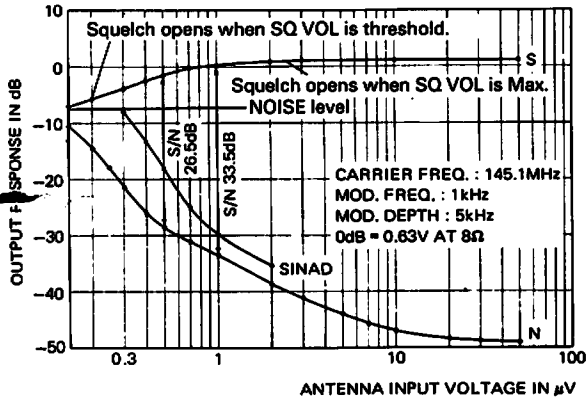
[Frequency deviation] FM mode



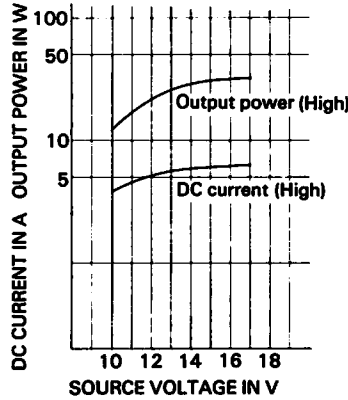
[S meter characteristics] FM and USB mode



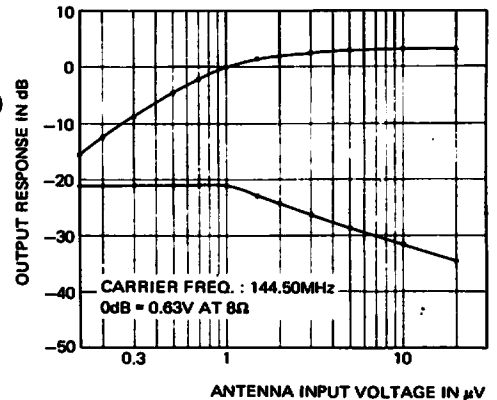
[Reception sensitivity characteristics] FM mode



[Output power] FM mode



[Reception sensitivity characteristics] USB mode



Note: ANTENNA INPUT VOLTAGE value indicates as SSG's open circuit.

- 2SA1015
- 2SC1675 2SC1923
- 2SC1775 2SC1959
- 2SC1815 2SC2240

2SC2538-22-A

2SA1012

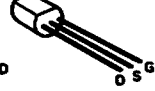
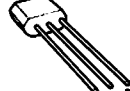
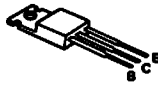
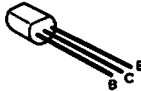
2SC496

2SA1115
2SC2603

2SK19

2SK30A

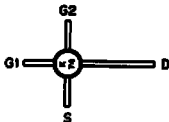
2SK61



3SK73



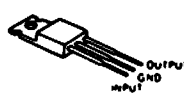
3SK74



3SK76-O



μPC78M05H
μPC78M08H



NJM78L05A



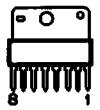
TA7060P



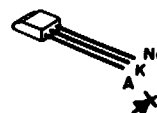
TA7061AP



MB3713



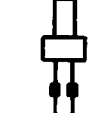
MA522



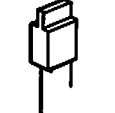
VD1223



SLP-144B
SLP-244B



PR5532K
PY5532K



SPECIFICATIONS

[General]

Semiconductors.....	ICs	11 K,M	12 W,T
	FETs	15	
	Transistors	104 K,M	105 W,T
	Diodes	124 K,M	126 W,T
Frequency range.....	144.000.0 to 147.999.9 MHz	K,M	
	144.000.0 to 145.999.9 MHz	W,T	
Frequency synthesizer.....	Digital control, phase locked VCO		
Mode.....	SSB (A3), FM (F3), CW (A1)		
Frequency stability.....	Within ± 500 Hz during the first hour after 1 minute of warm up, and within 50 Hz any 30 minutes thereafter at 25°C (constant).		
Power requirement.....	13.8V DC $\pm 15\%$		
Grounding.....	Negative		
Operating temperature.....	-20°C to $+50^{\circ}\text{C}$		
Current drain.....	0.7A in receive mode with no input signal		
	6.5A in HI transmit mode (Approx.)		
	3.5A in LOW transmit mode (Approx.)		
	Less than 3.0 mA for memory back up		
Dimensions.....	170 mm (6-11/16") wide		
	68 mm (2-11/16") high		
	241 mm (9-1/2") deep		
	(projections not included)		
Weight.....	2.4 kg (5.5 lbs)		

[Transmitter Section]

RF output power (at 13.8V DC, 50 Ω load).....	HI (SSB, FM, CW)	25W min.
	Low (FM, CW)	5W approx.
Modulation.....	FM:	Variable reactance direct shift
	SSB:	Balanced modulation
Frequency tolerance.....	SSB, CW:	Less than $\pm 10 \times 10^{-6}$
	FM:	Less than $\pm 20 \times 10^{-6}$
Spurious radiation.....	HI:	Less than -60 dB
	LOW:	Less than -53 dB
Carrier suppression.....	Better than 40 dB	
Unwanted side band suppression.....	Better than 40 dB	
Maximum frequency deviation (FM).....	± 5 kHz	
Microphone.....	Dynamic microphone with PTT switch, 500 Ω	

[Receiver Section]

Circuitry.....	FM:	Double conversion superheterodyne
	SSB, CW:	Single conversion superheterodyne
Intermediate frequency.....	1st IF:	10.695 MHz
	2nd IF (FM):	455 kHz
Receiver sensitivity.....	FM:	Better than 0.5 μV for 30 dB S/N
		Better than 0.25 μV K,M , 0.2 μV W,T for 12 dB SINAD
	SSB, CW:	0.25 μV K,M , 0.2 μV W,T for 10 dB S/N
Receiver selectivity.....	FM: (-6 dB)	More than 12 kHz K,M , 14 kHz W,T
	(-60 dB)	Less than 24 kHz K,M , 30 kHz W,T
	SSB, CW:	More than 2.2 kHz (-6 dB) Less than 4.8 kHz (-60 dB)
Spurious interference.....	Better than 70 dB	
Squelch sensitivity.....	0.2 μV K,M , 0.16 μV W,T (Threshold)	
Auto scan stop level.....	Less than 0.2 μV (Threshold)	
Audio output.....	More than 2.0 watts across 8 ohms load (10% dist.)	

Note: Circuit and ratings are subject to change without notice due to developments in technology.

A product of
TRIO-KENWOOD CORPORATION
 17-5, 2-chome, shibuya, shibuya-ku Tokyo 150, Japan

TRIO-KENWOOD COMMUNICATIONS

1111 West Walnut Street, Compton, California, 90220, U.S.A.

TRIO-KENWOOD COMMUNICATIONS, GmbH

D-6374 Steinbach TS, Industriestrasse 8A, West Germany

TRIO-KENWOOD ELECTRONICS, N.V.

Leuvensesteenweg 504, B-1930 Zaventem, Belgium

TRIO-KENWOOD (AUSTRALIA) PTY. LTD.

4E Woodcock Place, Lane Cove N.S.W. 2066, Australia