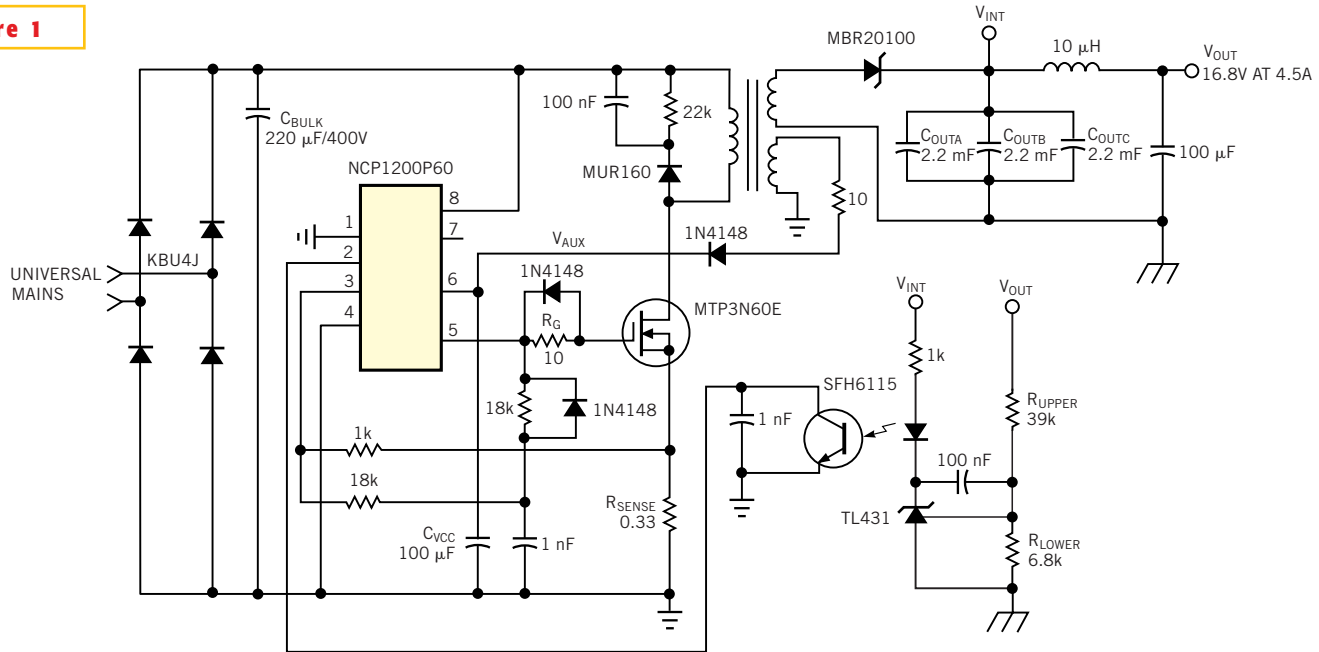


Figure 1



In this circuit, leakage inductance in the auxiliary winding can invalidate the controller's short-circuit-protection circuitry.