

## TRIAC CONTROL BY PULSE TRANSFORMER

Ph. RABIER

Among the many ways to drive a triac the pulse transformer is one of the easiest. By applying some simple rules it can be used to design an efficient triac triggering circuit without reduction of the commutation capability of the triac.

### I. WHY USE A PULSE TRANSFORMER ?

The use of pulse transformers in triac triggering circuits offers many advantages :

- galvanic insulation between the power and gate drive circuit (a few kV).
- gate drive circuit with a few components.
- choice of the gate current polarity (triggering in the 2<sup>nd</sup> and 3<sup>rd</sup> quadrants for SNUBBERLESS triacs).
- optimization of gate signal (single pulse or train of pulses).
- possibility to drive several triacs with only one drive circuit

### II. THE PULSE TRANSFORMER :

To optimize the triac and the pulse transformer in the application it is necessary to know the main characteristics of the transformer :

#### 1/ The transformer ratio :

It is the  $N_2/N_1$  ratio, where  $N_1$  corresponds to the primary winding and  $N_2$  to the secondary.

#### 2/ The $L_p$ inductance :

The primary winding inductance measured at a given frequency.

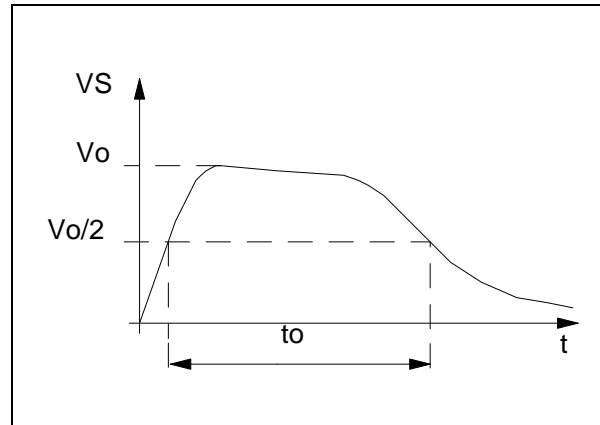
#### 3/ The $R_p$ resistance :

The primary winding resistance.

#### 4/ The area of the output pulse :

For a given magnetic material the voltage.time product  $V_o.t_o$  of the output pulse is constant. For each type of transformer the manufacturer gives

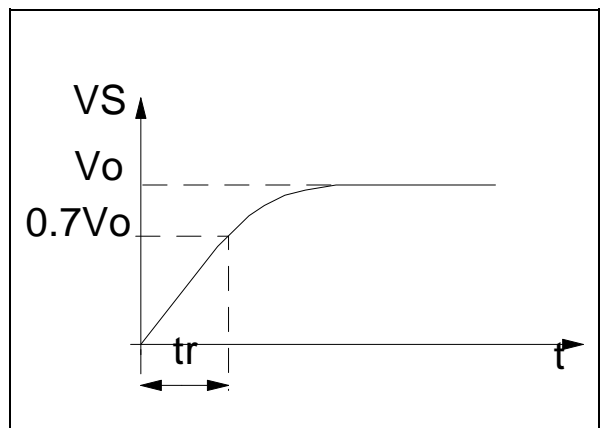
the maximum voltage.time product under no load operation which corresponds to the figure 1:



**Figure 1** : Voltage across the secondary winding for a rectangular pulse across the primary.

#### 5/ The rise time $t_r$ :

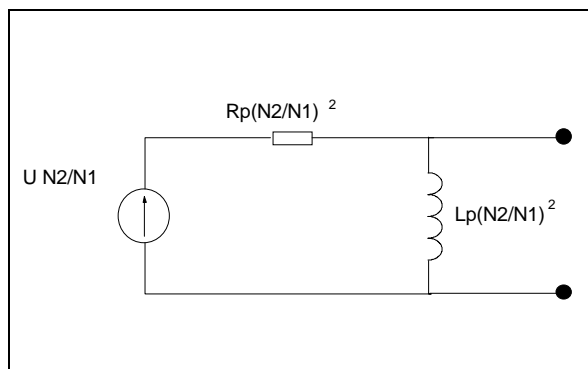
This parameter  $t_r$  defines the rise time of the output pulse as shown in figure 2.



**Figure 2** : Specification of the rise time at the output of the transformer.

## APPLICATION NOTE

The figure 3 shows the diagram of the secondary of the transformer :



**Figure 3** : Equivalent diagram of the transformer.

### III. GATE PULSE :

#### 1/ Peak value :

The transformer ratio and the power supply of the primary winding define the secondary voltage. With the equivalent diagram and triac gate characteristics it is possible to determine the output current. This has to be higher than the specified gate triggering current ( $I_{GT}$ ). To have an efficient triggering it is suitable to use a safety coefficient of 2 :

$$I_G > 2 I_{GT}$$

#### 2/ Duration :

The  $V_o.t_o$  product defines the maximum pulse duration at the output of the transformer. The anode current has to be higher than the specified latching current ( $I_L$ ) at the end of the gate pulse.

For drives with a pulse train we can sometimes use very short pulses ( for example  $t_p = 10\mu s$  with a 15 $\mu s$  cycle ).

For proper triac triggering the gate current rise time is very important in a circuit with very high  $di/dt$  ( $>20 A/\mu s$ ) : case of resistive load.

### IV. THE COMMUTATION :

The use of a triac with a pulse transformer needs some precautions in order not to decrease the commutation capability.

#### 1/ The commutation :

Review : during the conduction a certain quantity of charges is injected into the triac.

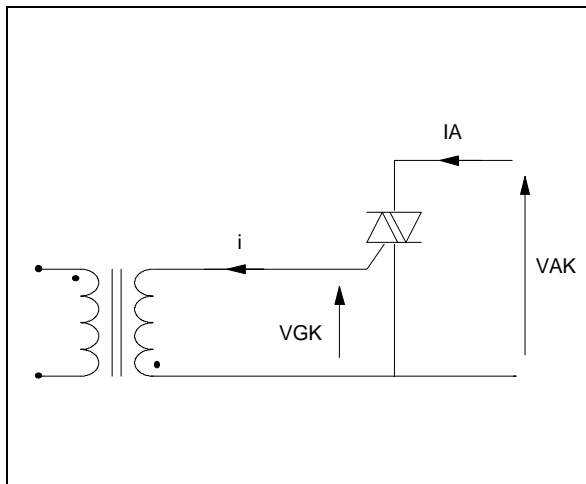
During the fall of the current most of them disappear by recombination. If the current decreases too fast the charges do not have time to recombine and some charge stays in the gate area. This can provoke a spurious firing.

The parameter which characterizes the commutation is the anode current slope  $(di/dt)_c$ , that is to say the slope of current before zero crossing.

The specified value in the data sheet is the critical  $(di/dt)_c$ . Above this value the triac is liable to fire spuriously. Figure 5 shows the spurious firing due to  $(di/dt)_c$ .

#### 2/ Case of a triac triggered by a transformer :

When the triac is on, a voltage of about 0.6 V appears across the gate and cathode. This voltage is either positive or negative depending on the anode current polarity. A current  $i$  can flow through the secondary winding of the



**Figure 4** : Use of a triac with a pulse transformer : when the Triac is on a current  $i$  flows through the gate.

transformer (see figure 4).

Due to the inductance of the transformer, at the end of the half wave the current  $i$  continues to flow in the gate and increases the risk of spurious firing at the next cycle. (figure 5).

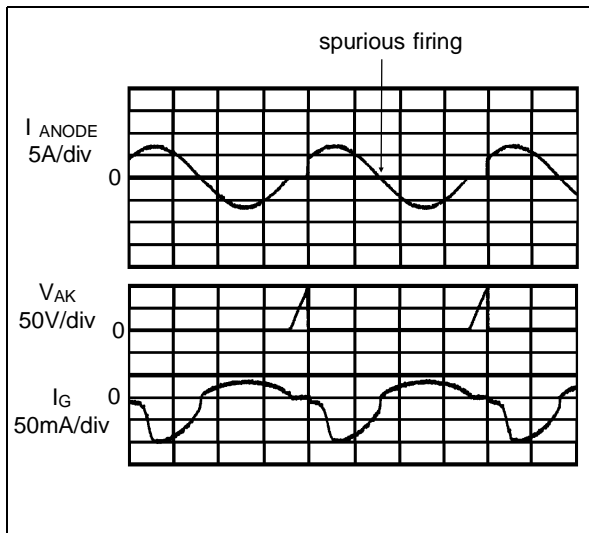


Figure 5 : spurious firing of the triac.

The influence of the transformer can be estimated by measuring the critical  $(di/dt)_c$  of the triac with and without the transformer.

Example : BTA06-400CW

The specified  $(di/dt)_c$  of this triac is :

3.5 A/ms min at  $T_j = 125^\circ\text{C}$

Measurement of a sample without transformer :

$(di/dt)_c = 6 \text{ A/ms}$

Measurement with transformer :

$(di/dt)_c = 3 \text{ A/ms} \rightarrow$  on this sample the commutation capability is divided by 2 !

It is necessary to consider this phenomena and to take some safety margin (in some cases the critical  $(di/dt)_c$  of the triac + transformer can be lower than the specified  $(di/dt)_c$  of the triac as shown in the previous example). This is very important in the case of transient currents higher than the nominal value, as is the case with the cold filament of incandescent lamp, load dispersion, etc...

One has to take into account the maximum  $(di/dt)_c$  in the application in all cases, especially in the transient state where  $(di/dt)_c$  can be higher than it is in the steady state. The following example shows values for an incandescent lamp and universal motor.

|                             | INCANDESCENT LAMP | UNIVERSAL MOTOR |
|-----------------------------|-------------------|-----------------|
| NOMINAL CURRENT $I_{ARMS}$  | 1.35 A            | 3.8 A           |
| STEADY STATE $(di/dt)_c$    | 0.6 A/ms          | 1.7 A/ms        |
| TRANSIENT STATE $(di/dt)_c$ | 2.6 A/ms          | 5 A/ms          |

## V. THE SOLUTION :

To avoid the reinjected current through the transformer it is necessary to connect a diode in series with the gate (figure 6).

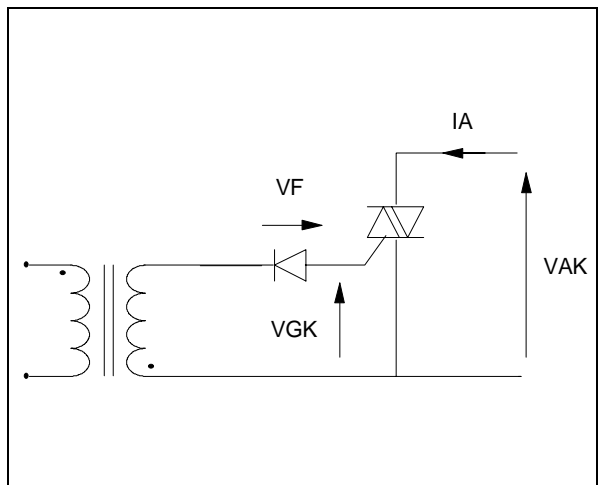


Figure 6 : Bearing of the commutation capability.

The drop voltage  $V_F$  of the diode avoid the reinjected current. The triac is triggering in the 2<sup>nd</sup> and 3<sup>rd</sup> quadrants (figure 7).

# APPLICATION NOTE

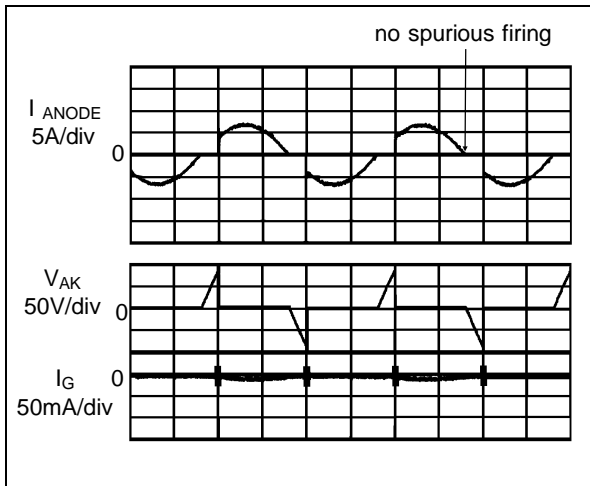


Figure 7 : Correct running with diode.

## VI. TYPICAL APPLICATION EXAMPLE :

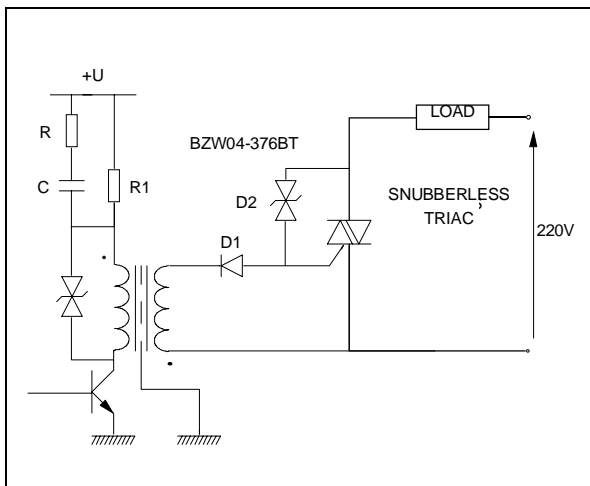


Figure 8 : Typical application diagram.

The D2 transil diode protects the triac against overvoltages (see "Protection of triacs and their control circuits" in the "Thyristors and Triacs Application manual").

The RC circuit across R1 allows an increase in the current in the transformer at the beginning of the pulse. When C is charged the resistance R1 limits the current through the transistor.

The gate current is given by the following formula (without RC).

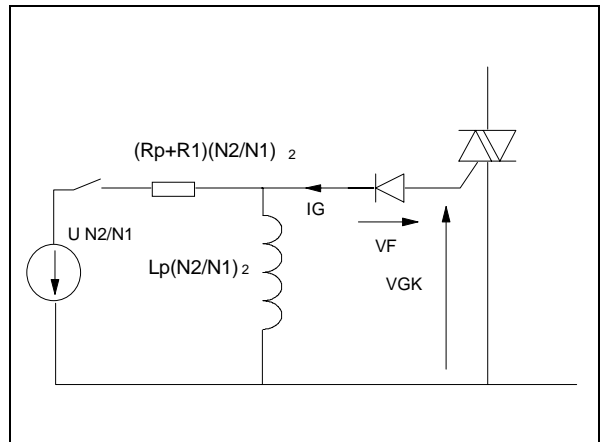


Figure 9 : Equivalent diagram.

$$I_G = \frac{(V_{GK} - V_F)tp}{L_p \left(\frac{N2}{N1}\right)^2} + \frac{V_{GK} - V_F + U \left(\frac{N2}{N1}\right)^2}{(R_p + R1) \left(\frac{N2}{N1}\right)^2}$$

Where : tp is the pulse duration

Keep in mind that  $V_{GK}$  is negative because the triac is triggering in the 2<sup>nd</sup> and 3<sup>rd</sup> quadrants.

In practice the area of the pulse has to be lower than 60 or 70% of the maximum voltage.time product  $V_{o.to}$ .

The maximum pulse duration in the output is :

$$tp = \frac{0.7 V_{o.to}}{V_F - V_{GK}}$$

These two formulae allow us to define the pulse transformer according to the triac sensitivity.

Example : Numerical application with a transformer having the following characteristics :

$$\begin{aligned} N2/N1 &= 1 & R_p &= 0.6 \text{ Ohm} \\ L_p &= 2.5 \text{ mH} & V_{o.to} &= 250 \text{ V}\mu\text{s} \end{aligned}$$

Triac : BTA08-700CW

$$I_{GT} = 35 \text{ mA} \quad V_{GK} = -2 \text{ V at } I_G = 2 I_{GT} \text{ (quadrants II and III)}$$

diode :  $V_F = 0.7 \text{ V}$   
power supply :

$$\begin{aligned} U &= 12 \text{ V} \\ R1 &= 100 \text{ Ohms} \\ tp \text{ max} &= 65 \mu\text{s} \\ I_G &= 70 \text{ mA} \\ t &= 21 \mu\text{s} \end{aligned}$$

We have measured :

$$I_G = 85 \text{ mA at } t = 21\mu\text{s}$$

**VII. CONCLUSION :**

The pulse transformer provides an excellent method to trigger a triac when galvanic insulation is required. This system is appropriate to microprocessor systems.

Nevertheless it needs some precautions to avoid a decrease of the triac commutation behavior. This precaution is achieved by adding a diode in series with the gate.

Information furnished is believed to be accurate and reliable. However, SGS-THOMSON Microelectronics assumes no responsibility for the consequences of use of such information nor for any infringement of patents or other rights of third parties which may result from its use. No license is granted by implication or otherwise under any patent or patent rights of SGS-THOMSON Microelectronics. Specifications mentioned in this publication are subject to change without notice. This publication supersedes and replaces all information previously supplied.

SGS-THOMSON Microelectronics products are not authorized for use as critical components in life support devices or systems without express written approval of SGS-THOMSON Microelectronics.

© 1995 SGS-THOMSON Microelectronics - Printed in Italy - All rights reserved.

SGS-THOMSON Microelectronics GROUP OF COMPANIES

Australia - Brazil - France - Germany - Hong Kong - Italy - Japan - Korea - Malaysia - Malta - Morocco -  
The Netherlands - Singapore - Spain - Sweden - Switzerland - Taiwan - Thailand - United Kingdom - U.S.A.