



## General Description

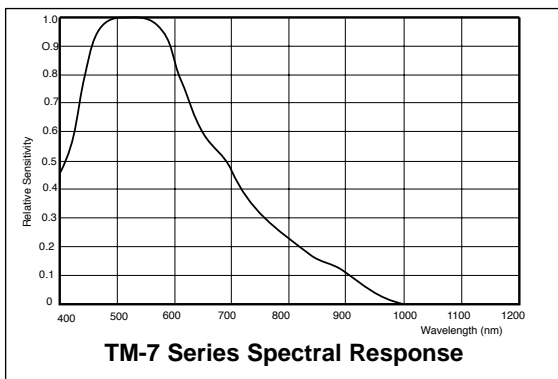
The TM-7/TM-6 Series offers a high resolution interline transfer 1/2" CCD imager in a tiny, very rugged package. The miniature size of the TM-7/TM-6 Series cameras eliminates the need for a remotored imager camera in all but the most confined spaces.

Designed to meet a variety of application requirements, the three models in the series have many standard features including high speed shutter capability and asynchronous reset. The most commonly needed adjustments, such as gain, gamma, AGC, and field/frame selection, are easily accessible on the rear camera panel. C-mount is also standard. Each model is available in both EIA format (the TM-7 Series) and CCIR format (the TM-6 Series).

The "CN" and "EX" versions allow for the external selection of eight different shutter speeds (1/60 sec. to 1/10,000 sec.) by attaching the SC-745 Shutter Controller to the 6-pin connector located on the rear of the camera. Pixel clock output is a standard feature on the "CN" version. Asynchronous shuttering is the key feature of the "AS", which also offers a rotary select switch to control shutter settings. The "AS" and "EX" versions accept external sync. The "CN" and "EX" models include auto iris outputs.

## Applications

- Machine vision
- Automated inspection
- Miniature inspection devices
- Remotely piloted vehicles
- Surveillance
- Microscopes
- Medical and scientific equipment

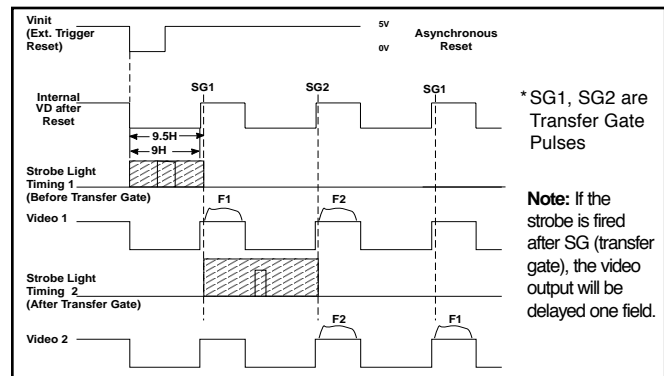


## Product Features

- 3 models: TM-7CN/6CN, TM-7AS/6AS, TM-7EX/6AS
- Advanced micro lens 1/2" interline transfer CCD
- High resolution interlace scan
  - 768 H x 494 V (EIA)
  - 752 H x 582 V (CCIR)
- Super miniature size
- Shutter from 1/60 to 1/10,000
- Asynchronous reset (TM-7AS/TM-6AS)
- Externally adjustable manual gain, AGC, gamma, and field/frame select

## Reset and Shuttering

### Asynchronous Reset Timing with Strobe Light or LED Flash



**Strobe Light Timing 1:** Strobe light fires before transfer gate pulse SG1. Both fields of the CCD array are exposed. SG1 transfers out first field F1 (may contain unfinished image from previous field before reset), and SG2 transfers out second field F2.

**Strobe Light Timing 2:** Strobe light fires after transfer gate pulse SG1. Both fields of the CCD array are exposed. SG2 transfers out field F2 and SG1 transfers out field F1 after F2.

**TM-7CN/6CN and TM-7EX/6EX Shuttering:** Controlled by the SC-745 Shutter Controller attached to the 6-pin connector.

Setting	0	1	2	3	4	5	6	7
(sec)	1/60	1/25	1/250	1/500	1/1,000	1/2,000	1/4,000	1/10,000
D0	L	H	L	H	L	H	L	H
D1	L	L	H	H	L	L	H	H
D2	L	L	L	L	H	H	H	H

### TM-7AS/TM-6AS Shutter Switch Settings:

Manual Mode	Async Reset Mode	
	TM-7AS	TM-6AS
0	1/60	Normal 1/50
1	1/125	0.5H 1/31,000
2	1/250	1.5H 1/10,000
3	1/500	3.5H 1/4,500
4	1/1,000	6.5H 1/2,400
5	1/2,000	16.5H 1/950
6	1/4,000	32.5H 1/480
7	1/10,000	64.5H 1/245
8	N/C	128.5H 1/120
9	N/C	Shutter determined by double pulse

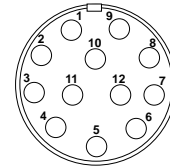
# Specifications

Model	TM-7EX (EIA)	TM-7CN (EIA)	TM-7AS (EIA)
Imager	1/2" Interline transfer CCD, HAD type		
Pixel	768 (H) x 494 (V)		
Cell size	8.4 μm x 9.8 μm		
Scanning	525 lines EIA		
Sync	Int./ext. auto switch	Internal crystal fH=15.734 KHz ±5% fV=59.94 Hz ±5%	Int./ext. auto switch
TV resolution	570 (H) x 350 (V)		
S/N ratio	50 dB min. AGC off		
Min. illumination	0.5 lux (F=1.4)		
Video output	1.0 Vp-p composite video, 75Ω		
AGC	ON/OFF back panel switch (16dB std., 32 dB max.)	ON/OFF (OFF Std)	
Gamma	1 or 0.45 back panel switch	Internal	
Lens mount	C-mount		
Power req.	9-12 V DC, 220 mA (TM-7AS is 250 mA)		
Operating temp.	-10° C to +50° C		
Vibration & shock	Vibration 7G (200 Hz to 2000 Hz) Shock 70G ("AS" 11 Hz to 200 Hz)		
Size (W x H x L)	45.8 x 39.4 x 66.3mm 1.81" x 1.54" x 2.60"	45.8 x 39.4 x 61.3mm 1.81" x 1.54" x 2.40"	45.8 x 39.4 x 66.3mm 1.81" x 1.54" x 2.60"
Weight	177g (6.2 oz.)	171g (5.9 oz.)	190g (6.6 oz.)
Power cable	2P-02		
Power supply	K25-12V, DC-12N, PD-12 or PD-12P ("CN" model)		
Auto iris connector	PC-6P		None
Functional options	3-1,3-2,7-1,7-2,21,25	3-1,3-2,4-1,21,25	3-1,4-2
Accessories	See current price list		

Model	TM-6EX (CCIR)	TM-6CN (CCIR)	TM-6AS (CCIR)
Imager	1/2" Interline transfer CCD		
Pixel	752 (H) x 582 (V)		
Cell size	8.6 μm x 8.3 μm		
Scanning	625 lines CCIR		
TV resolution	560 (H) x 420 (V)		
Power supply	P-15-12		
	All other specifications same as EIA models.		

# Connectors & Cables

## 12-Pin Connector



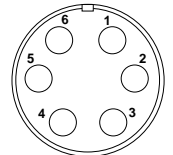
Pin#	"EX"	"CN"	"AS"
1	GND	GND	GND
2	+12VDC	+12VDC	+12VDC
3	GND	GND	GND
4	Video	Video	Video
5	N/C	N/C	GND
6	Vinit in	Sync out	Vinit
7	VD in	Clock out*1	VD in
8	GND	GND	GND
9	HD in	Vinit in	HD in
10	N/C	N/C	N/C
11	Int. cont	N/C	Int. Control
12	N/C	N/C	N/C

\*1 14.3182 MHz external clock output

## 6-Pin Connector

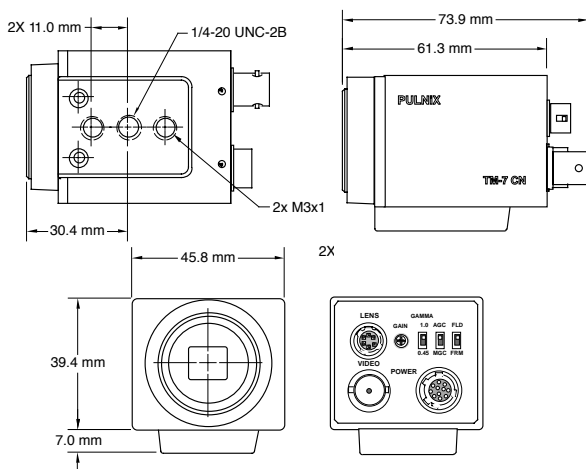
### TM-7EX/TM-6EX TM-7CN/TM-6CN

Pin#	Function
1	D2
2	GND
3	Video
4	+12V (or 5V)
5	D0
6	D1

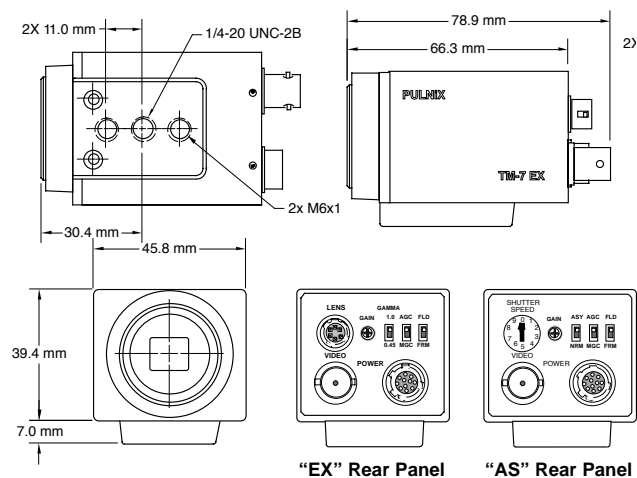


# Dimensions (mm)

## TM-7CN/TM-6CN



## TM-7EX / TM-6EX, TM-7AS/TM-6AS



"EX" Rear Panel

"AS" Rear Panel

**CE Compliance:** All PULNiX products bearing the "CE" mark have been certified for CE compliance. Please note that the use of non-shielded or improperly shielded interconnect cables may effect CE compliance. Please contact the PULNiX Sales Applications Engineering department for further information specific to CE compliance.

**Japan, Tokyo**  
PULNiX America, Inc.  
1-11-14 Hongo  
Bunkyo-ku, Tokyo 113-0033  
Tel: 81-3-5805-2455  
Fax: 81-3-5805-8082  
**Kyoto Office**  
Tel: 81-75-592-2247  
Fax: 81-75-591-2333

**Australia**  
PULNiX America, Inc.  
Unit 16, #35 Garden Road  
Clayton, Vic 3168  
Tel: 3-9546-0222  
Fax: 3-9562-4892

**United Kingdom**  
PULNiX Europe, Ltd.  
Aviary Court, Wade Road  
Basingstoke, Hants RG24 8PE  
Tel: 01256-475555  
Fax: 01256-466268

**Germany**  
PULNiX America, Inc.  
Siemensstrasse 12  
D-63755 Alzenau  
Germany  
Tel: 49(0)6023-9625-0  
Fax: 49(0)6023-9625-11



**PULNiX**  
Industrial Products Division  
PULNiX America, Inc. Tel: 408-747-0300  
1330 Orleans Drive Tel: 800-445-5444  
Sunnyvale, CA 94089 Fax: 408-747-0660  
Email: pulnix@pulnix.com  
www.pulnix.com

TM-7/TM-6 Series

71-0013 Rev. A  
Printed: 07/99