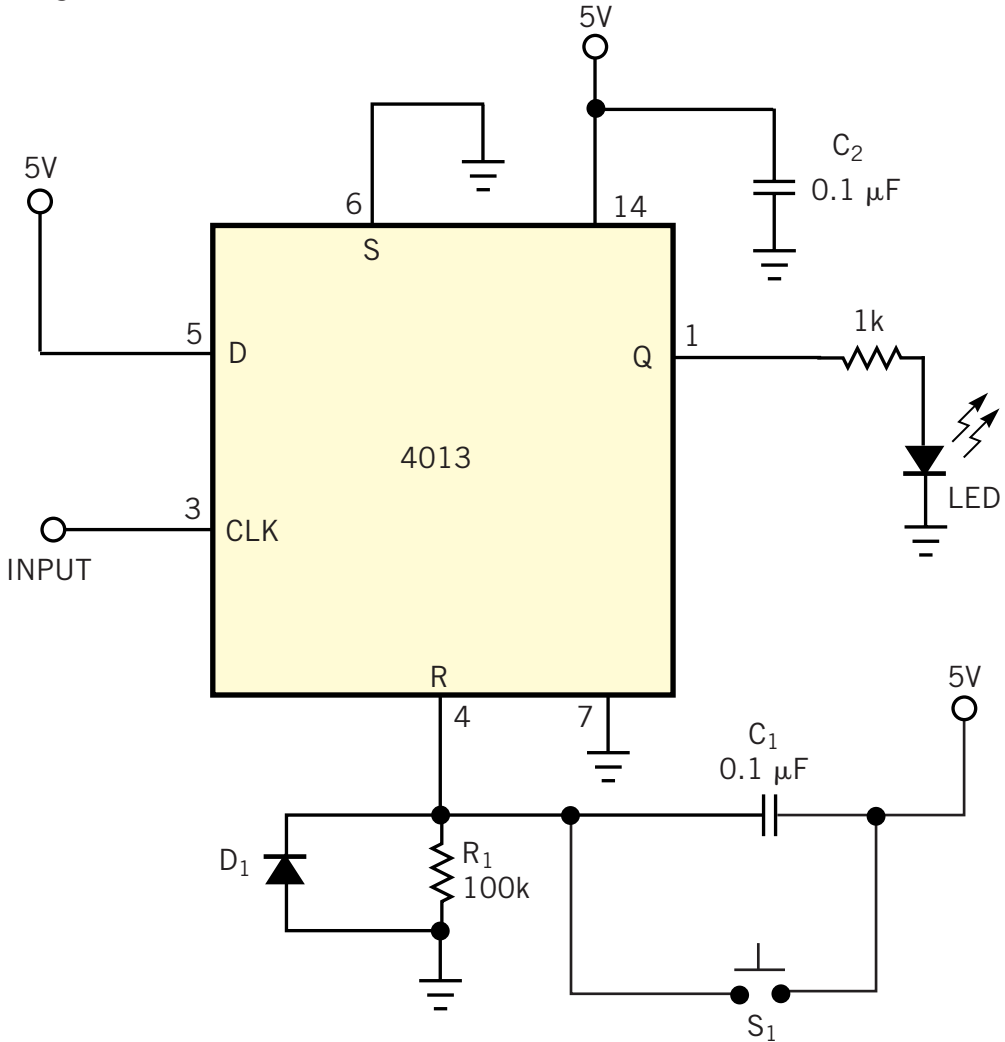


Figure 1



NOTES:

- LED=HIGH-EFFICIENCY RED LED.
- D₁=IN4001 OR ANY OTHER SMALL-SIGNAL DIODE.
- S₁=OPTIONAL MOMENTARY PUSHBUTTON SWITCH.
- TIE UNUSED INPUTS TO GROUND.

A 4013 CMOS flip-flop and a handful of passive components monitor the activity of an embedded system's watchdog reset.