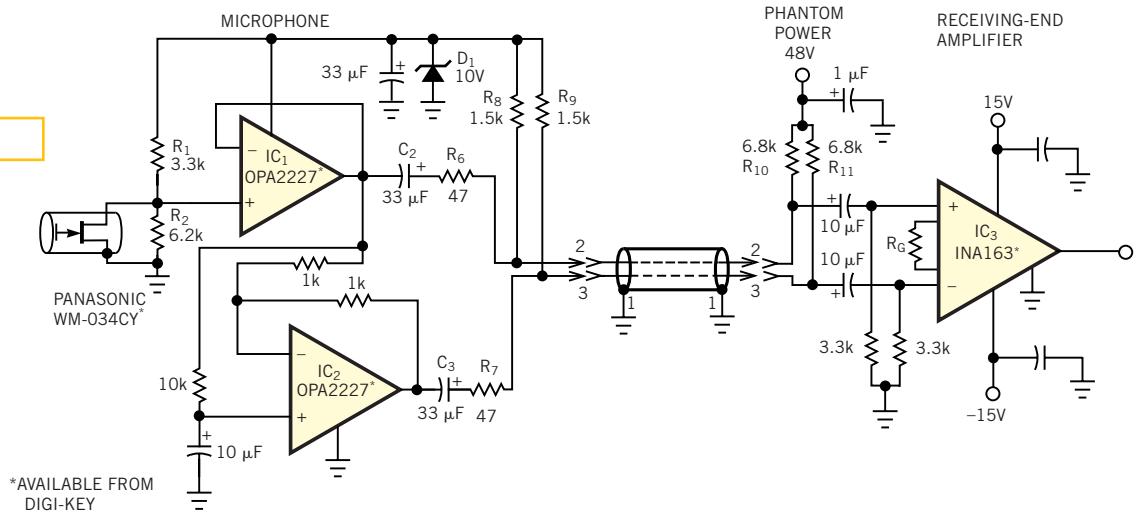


Figure 1



This microphone system derives its power from the receiving-end circuitry through the leads that carry the audio signal.