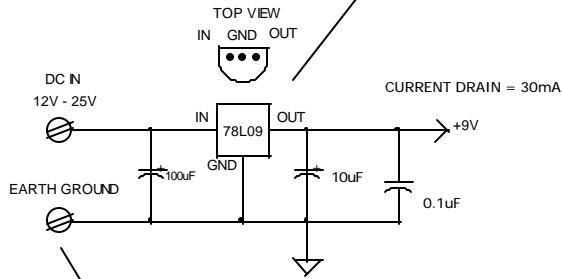
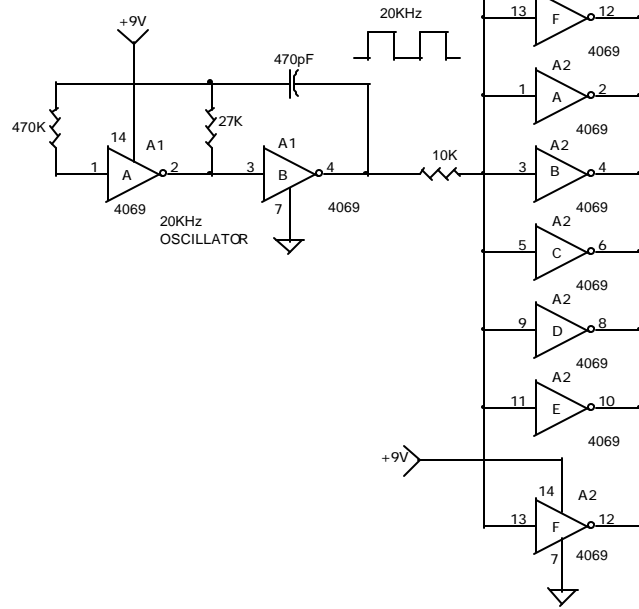


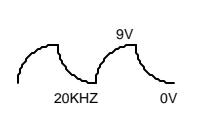
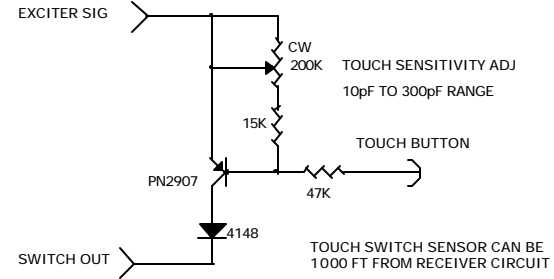
WOULD NOT NEED A
REGULATOR IF 12V IS
GUARANTEED



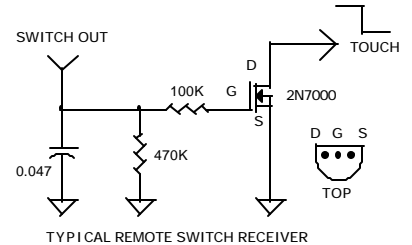
NOTE: A CONNECTION TO
EARTH GROUND IS REQUIRED



TYPICAL REMOTE TOUCH SWITCH SENSOR



MAX LOAD CURRENT = 20mA
MAX CAPACITANCE = 0.05uF
ASSUMING 20pF/FT, MAX CABLE LENGTH = 2500 FT
CIRCUIT SHOULD POWER ABOUT 50 REMOTE TOUCH SWITCHES



DRAWN BY: DAVE JOHNSON

12V TOUCH SWITCH EXCITER CIRCUIT

DAVID JOHNSON AND ASSOCIATES 12V POWERED TOUCH SWITCH EXCITER CIRCUIT			
Size B	Document Number 12VEXC1.DSN	Date Sunday, February 10, 2002	Rev A
Sheet 1 of 1			