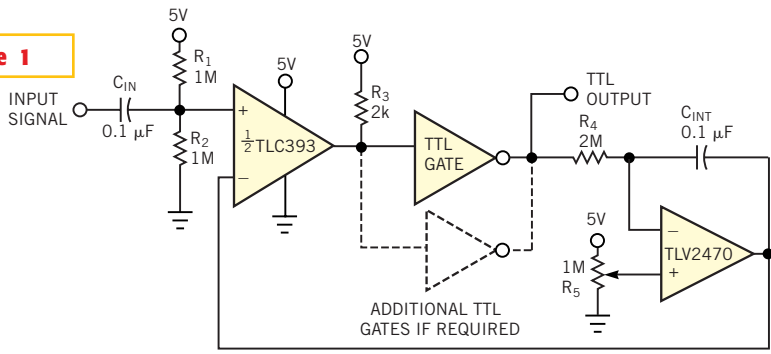


Figure 1



You can obtain a square wave with 2 to 98% duty cycle with this simple circuit.