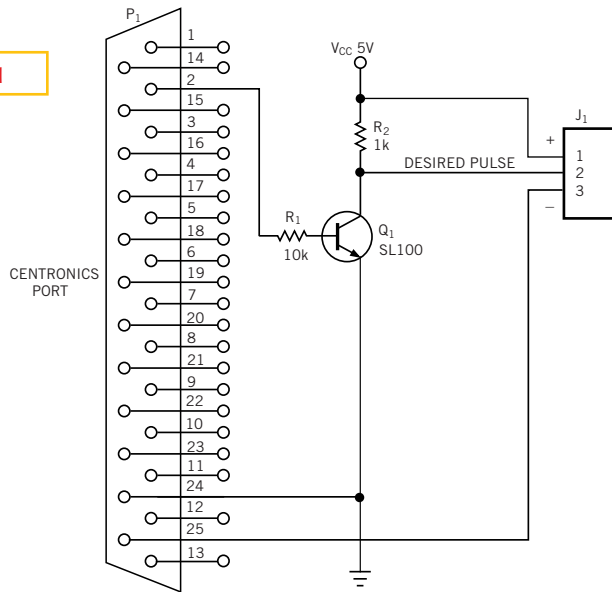


Figure 1



You can use the Centronics port on your PC to generate narrow pulse widths.