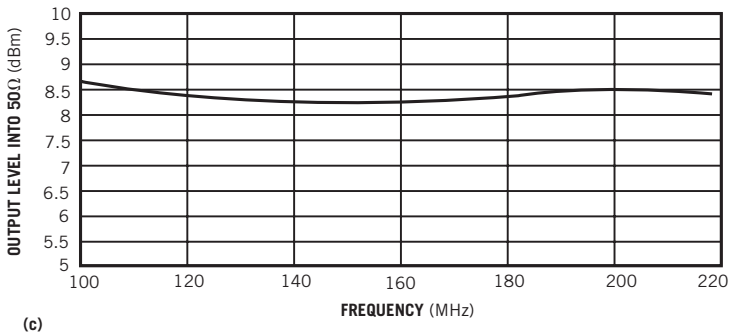
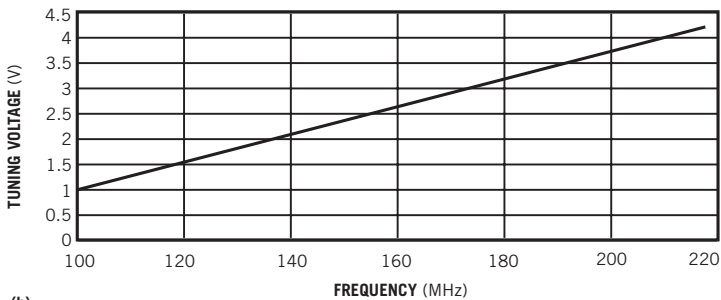
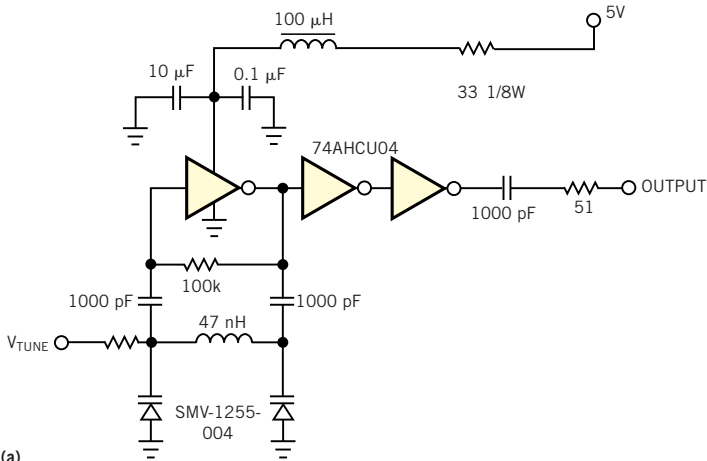


Figure 1



A 300-MHz VCO (a) uses varactor diodes with a capacitance-voltage ratio that allows linear tuning over an octave with less than 4V (b). A high-drive capability over an octave (c) makes the oscillator ideal for many applications.